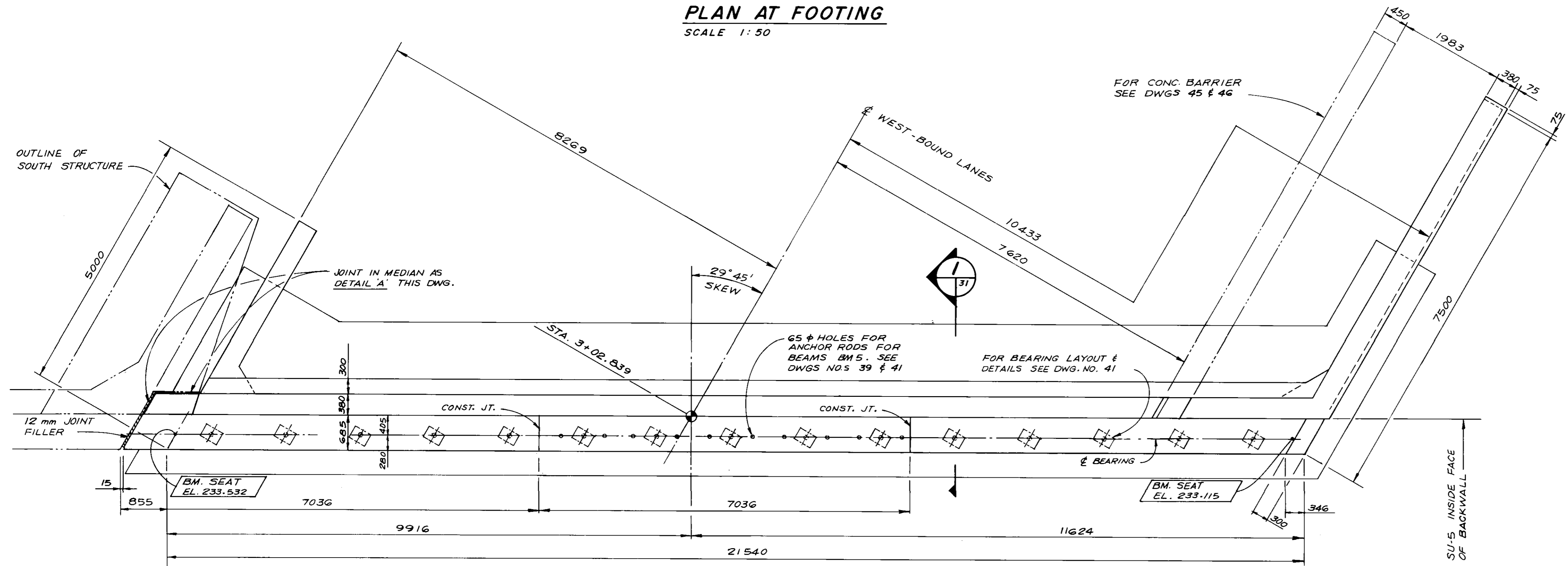
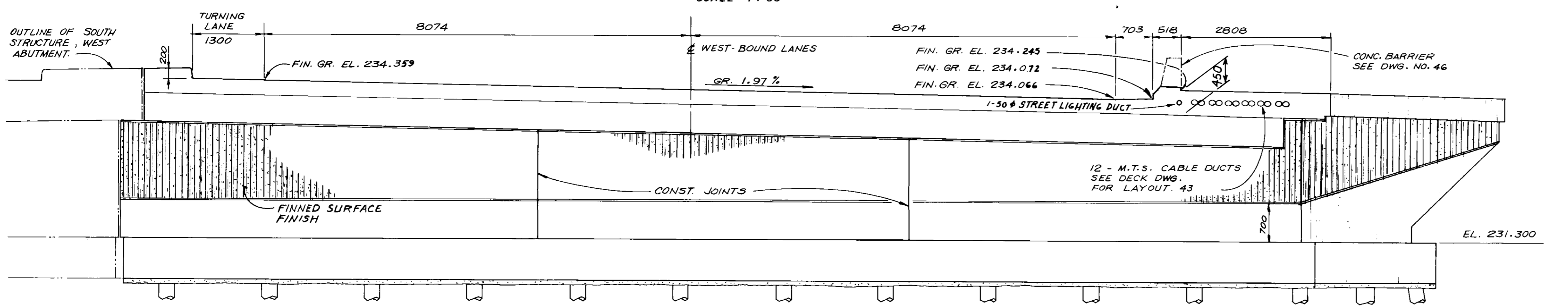


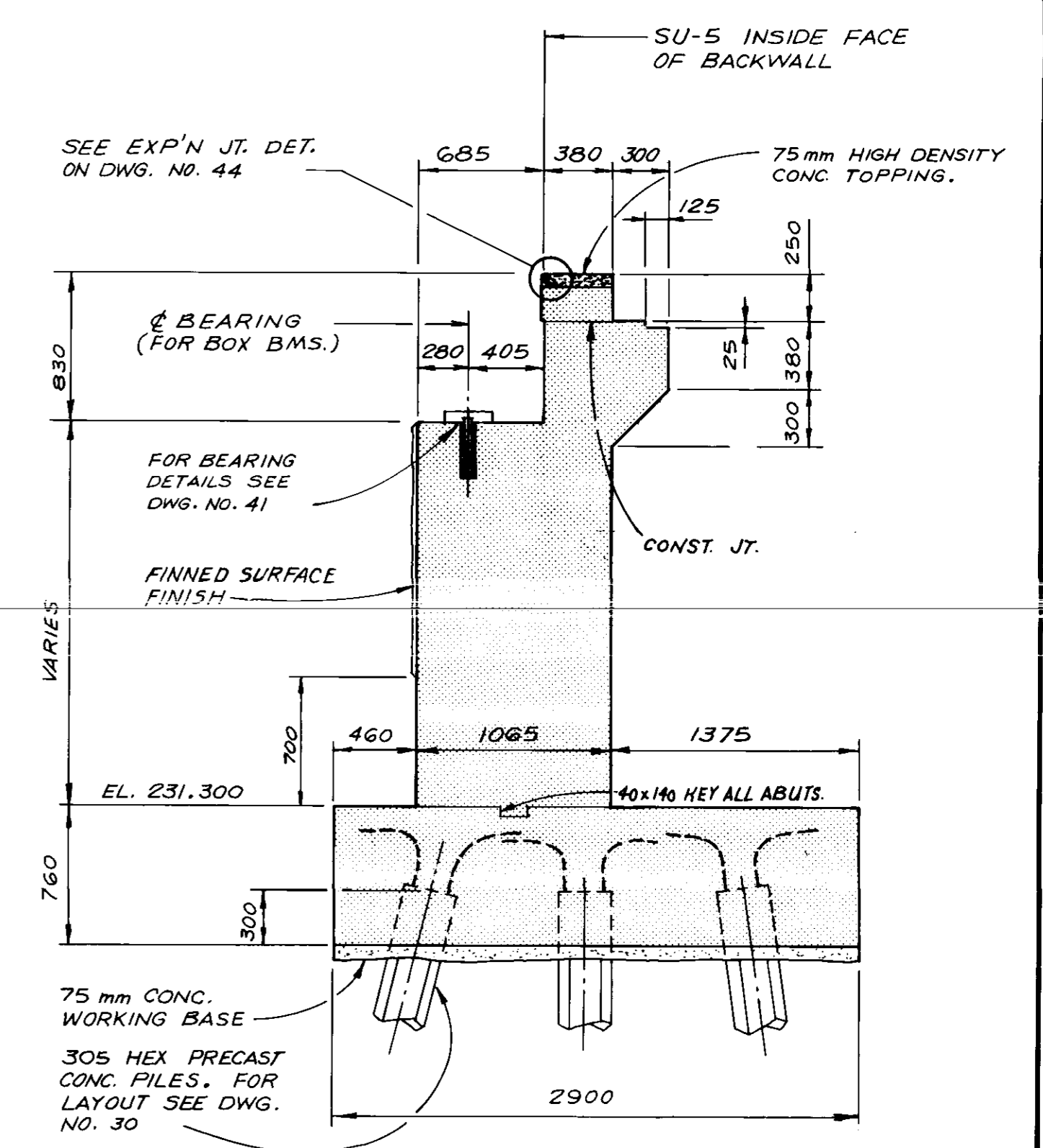
PLAN AT FOOTING
SCALE 1:50



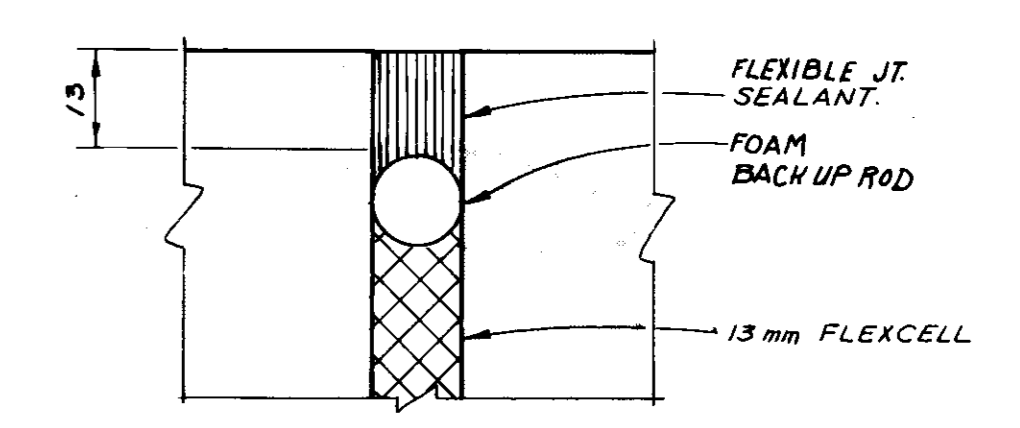
PLAN AT TOP
SCALE 1:50



FRONT ELEVATION
SCALE 1:50



SECTION 1
SCALE 1:30



MEDIAN JOINT DETAIL

DETAIL A
FULL SIZE

AS BUILT
[Signature]

GENERAL NOTES

1. ALL EXPOSED EDGES SHALL BE CHAMFERED 19mm EXCEPT WHERE SHOWN OTHERWISE.
2. CONCRETE CLEAR COVER TO REINFORCING STEEL SHALL BE: 75mm FOR FOOTING, 50mm FOR ALL OTHERS.
3. 13mm FLEXCELL SHALL BE PLACED ON VERTICAL FACES OF CURB JOINTS.

B-5417

DESIGNED BY N.B.U.	DRAWN BY W.P.S.
CHECKED BY L.D.M.	DATE 80-08-25
APPROVED BY <i>[Signature]</i>	DATE 23/9/80

THE CITY OF WINNIPEG
WORKS & OPERATIONS
STREETS & TRANSPORTATION

STURGEON CREEK BRIDGE ON PORTAGE AVENUE
NORTH STRUCTURE WEST ABUTMENT SU-5 CONCRETE

AUTHORIZED BY *[Signature]* DATE 1980-10-23
ACCEPTED BY *[Signature]* DATE 80-10-23
SCALE AS NOTED
DRAWING NO. B178-80-31