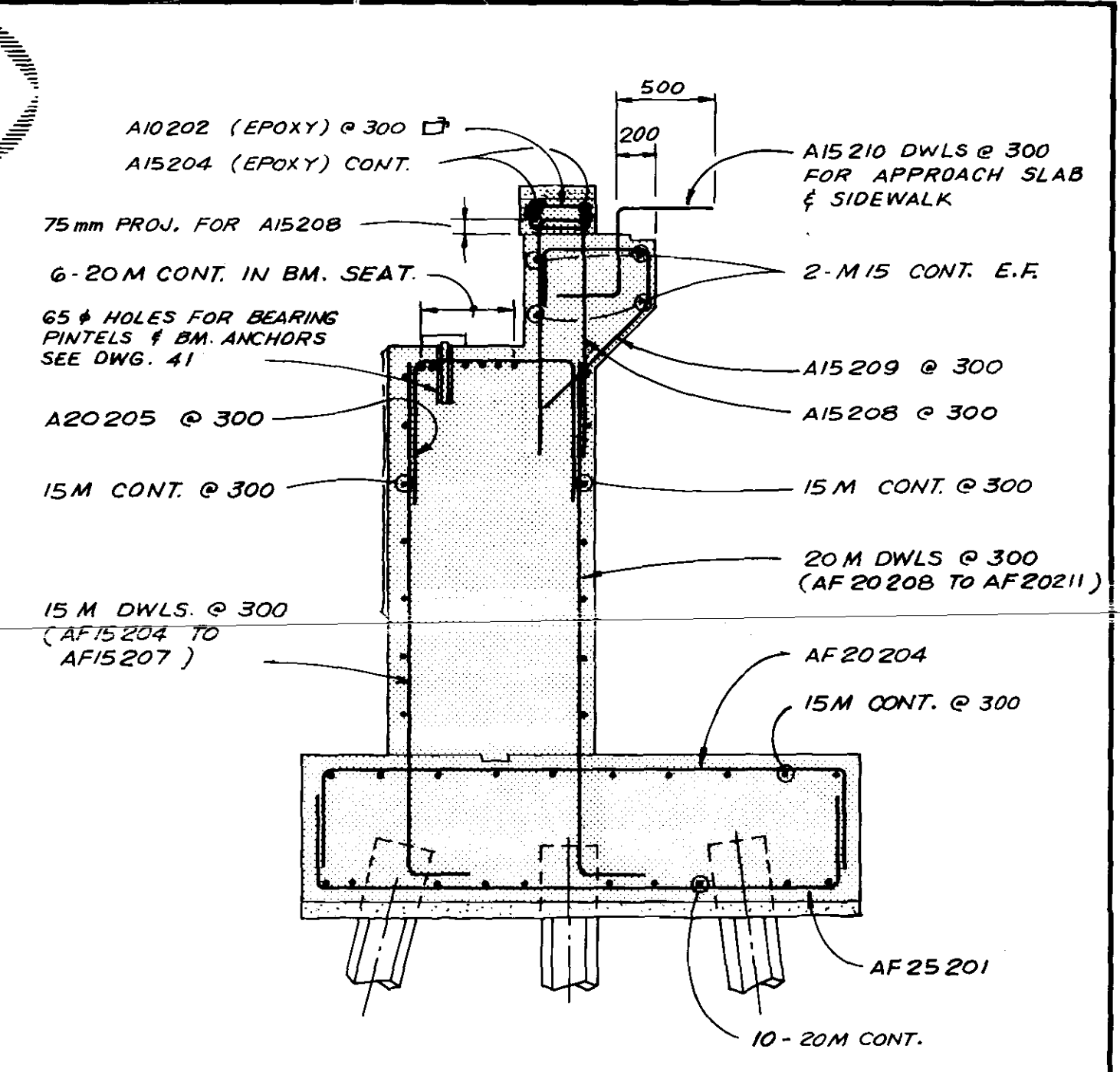


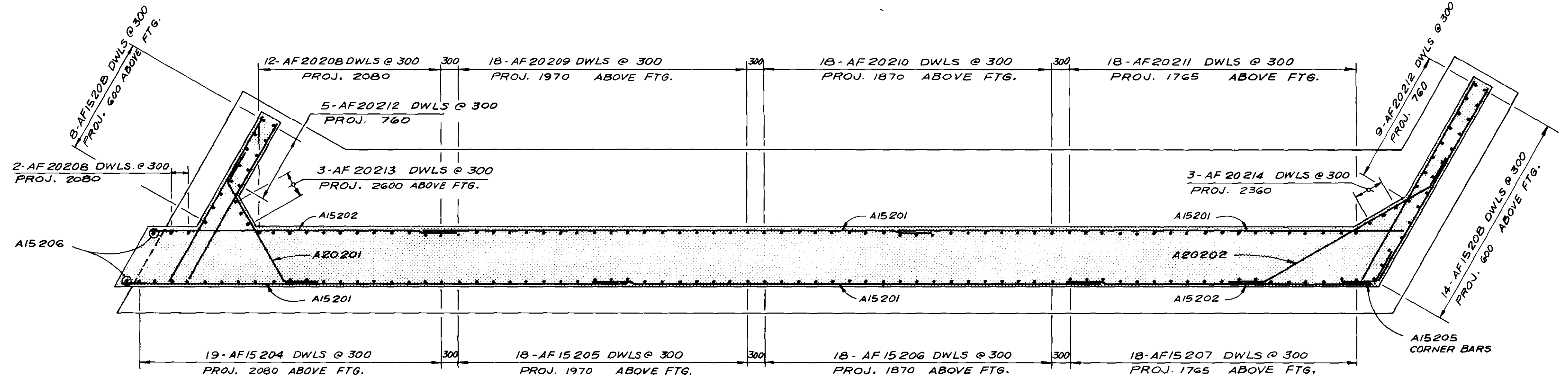
**FOOTING PLAN**  
SCALE 1:50

**BAR PLACING ORDER**

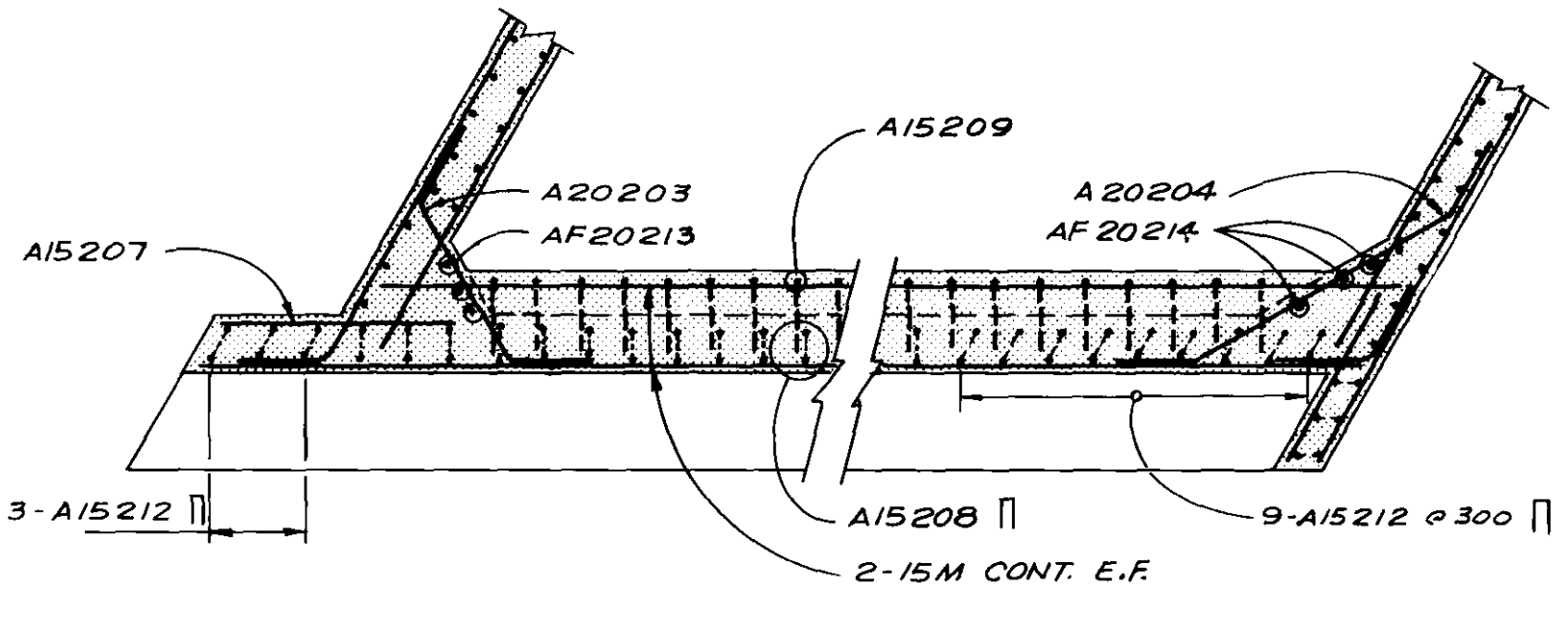
6. TOP	1
5. TOP	1
4. TOP	1
3. BOT	1
2. BOT	1
1. BOT	1



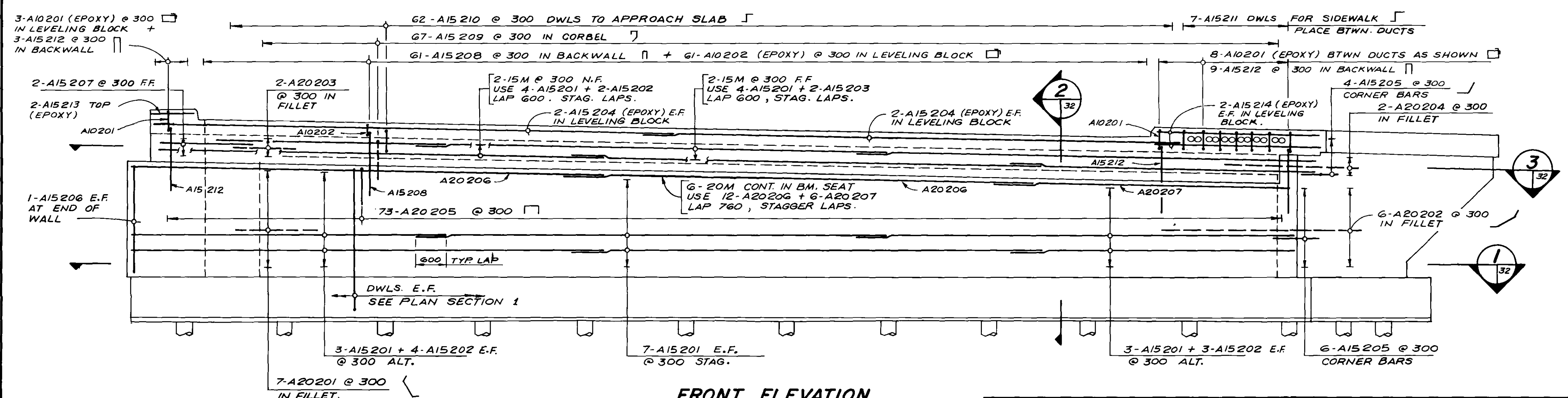
**SECTION 2**  
SCALE 1:30



**PLAN SECTION 1**  
SCALE 1:50



**PARTIAL PLAN SECTION 3**  
SCALE 1:50



**FRONT ELEVATION**  
SCALE 1:50

**AS BUILT**  
APPROVED BY: *[Signature]*

**NOTE**  
REBARS LABELLED "EPOXY" SHALL BE EPOXY COATED.

**B-5418**

<b>Consulting Engineers &amp; Planners</b>		<b>THE CITY OF WINNIPEG</b>		<b>STURGEON CREEK BRIDGE ON PORTAGE AVENUE</b>	
DESIGNED BY	N.B.U.	DRAWN BY	W.P.S.	<b>NORTH STRUCTURE WEST ABUTMENT SU-5 REINFORCEMENT</b>	
CHECKED BY	L.D.M.	DATE	80-08-25	AUTHORIZED BY <i>[Signature]</i> DATE 1/16/10-25	
APPROVED BY	<i>[Signature]</i>	DATE	2/9/10	ACCEPTED BY <i>[Signature]</i> DATE 2-16-23	
REVISIONS			DATE	APP.	DRAWING NO. <b>AS NOTED</b>
					<b>BI78-80-32</b>