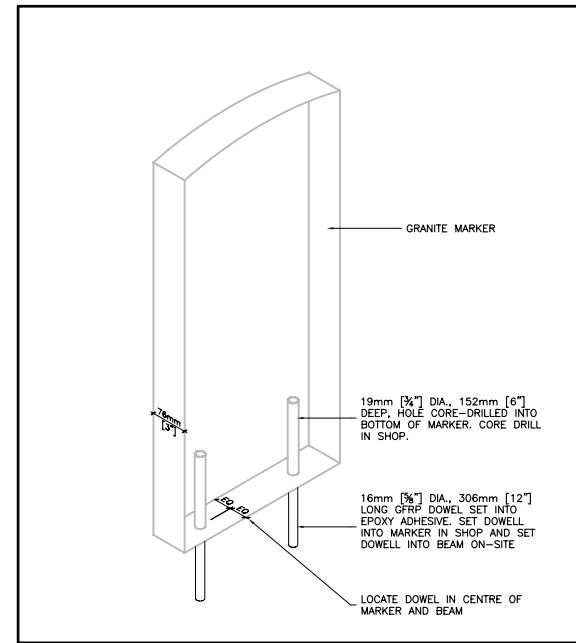


GENERAL NOTES:

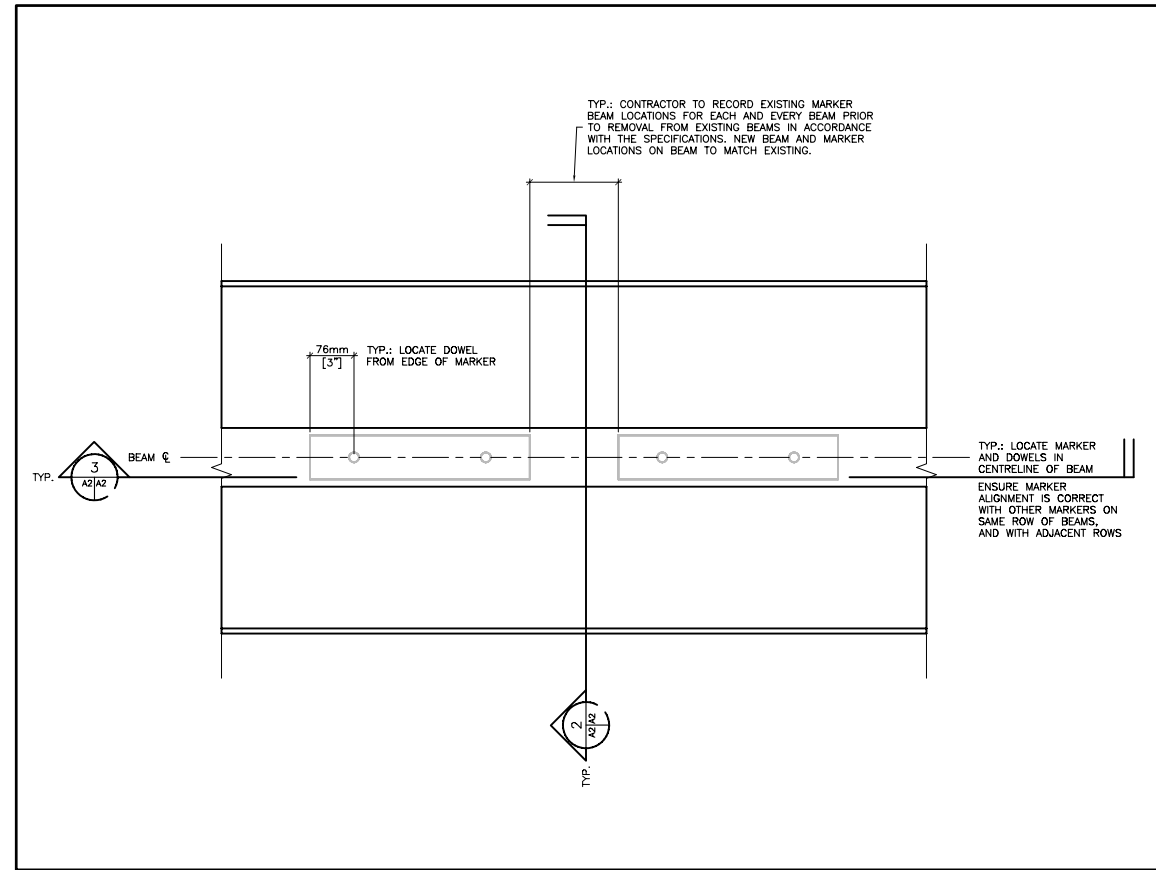
1. REFER TO SPECIFICATIONS FOR ALL EXISTING GRANITE MARKER MOUNTING MATERIALS AND FOR SPECIFIC INSTALLATION INSTRUCTIONS.
2. THIS DRAWING SHOWS THE COMPLETED MARKER MOUNTING DETAILS. THE EXISTING GRANITE MARKERS ARE EMBEDDED IN HOLLOW CORE CONCRETE FOUNDATION BEAMS AND THEREFORE REQUIRE MODIFICATIONS TO THE MARKER LENGTHS, WHICH ARE TO BE PERFORMED IN STRICT ADHERANCE WITH THE SPECIFICATIONS.
3. CONTRACTOR TO PROVIDE COST FOR SUPPLY AND INSTALLATION OF ONE NEW GRANITE MARKER IN ACCORDANCE WITH THE SPECIFICATIONS. THE REQUIREMENT FOR ADDITIONAL REPLACEMENT MARKERS WILL BE DETERMINED BY THE DEPARTMENTAL REPRESENTATIVE, AND WILL BE AS PER THE CONTRACTOR'S SUBMITTED UNIT RATE. DEPARTMENTAL REPRESENTATIVE WILL COORDINATE AND PAY FOR MARKER INSCRIPTION COST.



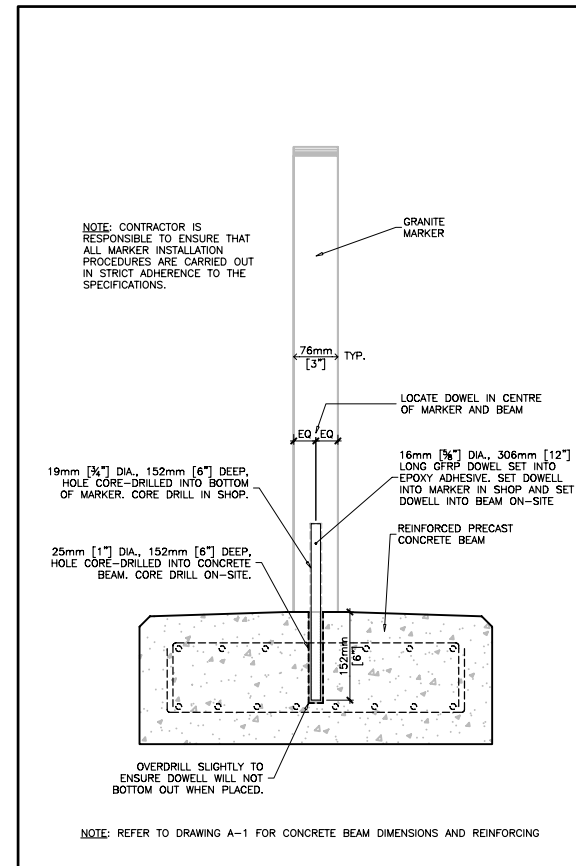
PHOTO OF TYPICAL MARKER MOUNTING



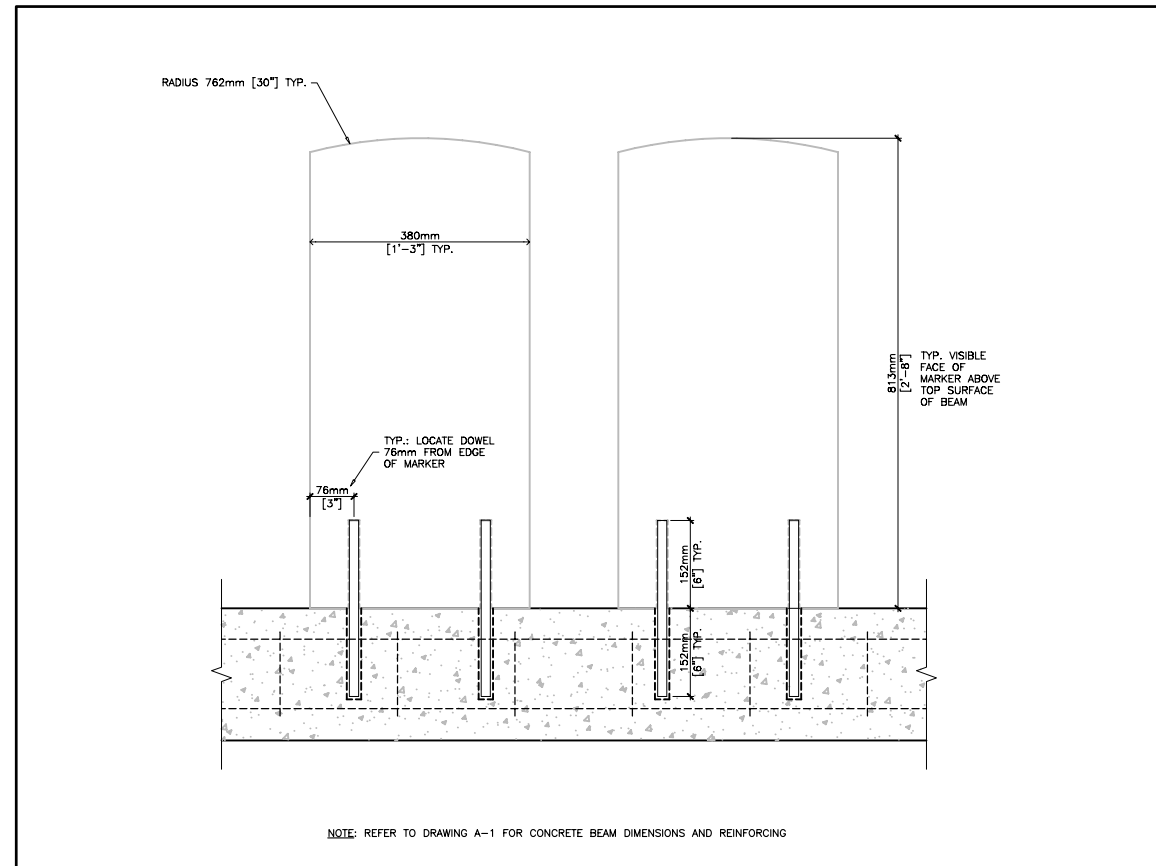
4 ISOMETRIC VIEW OF TYP. MARKER
SCALE 1:5



1 TYPICAL MARKER MOUNTING - PLAN VIEW
SCALE 1:5



3 TYPICAL MARKER MOUNTING SECTION
SCALE 1:5



2 TYPICAL MARKER MOUNTING LONGITUDINAL SECTION
SCALE 1:5

KEY PLAN
PLAN-REPÈRE

O6		
O5		
O4	REVISED FINAL SUBMISSION	2008/07/28
O3	100% FINAL SUBMISSION	2008/01/20
O2	99% SUBMISSION	2007/12/13
O1	FOR QUALITY REVIEW	2007/12/10

revision		date
----------	--	------

A	A detail no. / no. du détail	A
C	FACE OF MARKER ABOVE TOP SURFACE OF BEAM	B/C
	B key location empl. c/s	
	C detail location empl. du détail	

project / projet
BROOKSIDE CEMETERY MARKER MOUNTING BEAM REPLACEMENT

WINNIPEG, MANITOBA

drawing / dessin
GRANITE MARKER MOUNTING DETAILS

designed / conçu
M. McDEVITT
2007/11/19

drawn / dessiné
C. CHANDLER
2007/11/19

reviewed / examiné
D. STEPHENSON
2007/12/13

approved / approuvé

date

tender / soumission
WAYNE RAMSEY
Administrateur de projets

Project Manager / no. du projet

116449

drawing no. / no. du dessin

A-2 of/de A-3

Scale 1:1