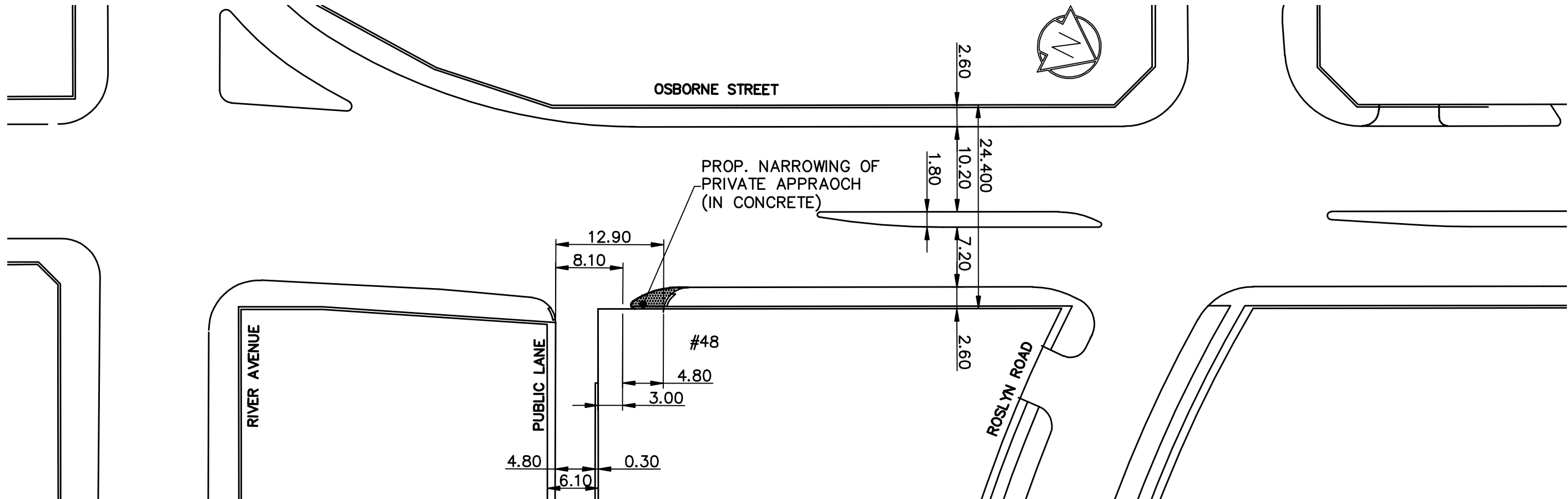
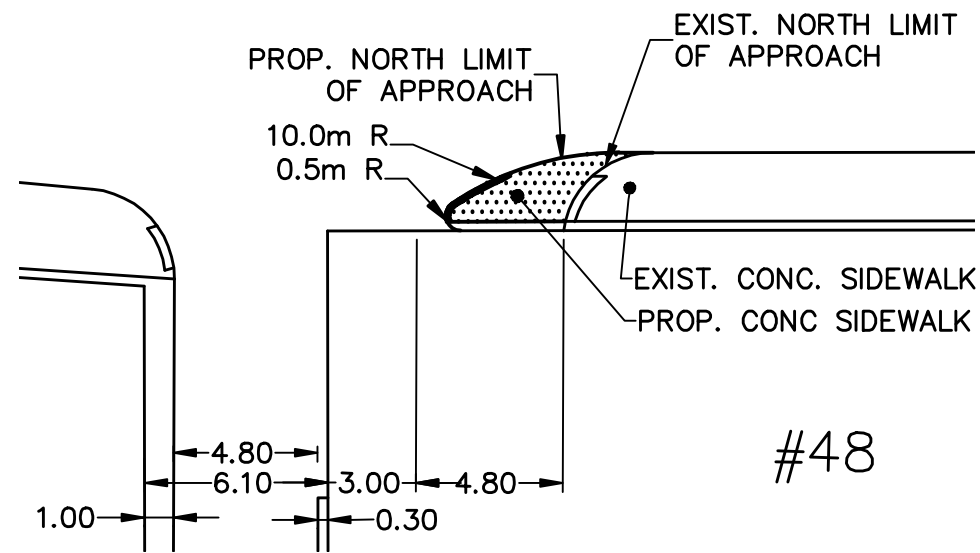


PROPOSED GEOMETRY DETAIL

1:250



METRIC
WHOLE NUMBERS INDICATE MILLIMETRES
DECIMALIZED NUMBERS INDICATE METRES

BID OPPORTUNITY NO. 643-2008

ENGINEERING DIVISION TECHNOLOGY SERVICES BRANCH 108 - 1155 PACIFIC AVE			 THE CITY OF WINNIPEG PUBLIC WORKS DEPARTMENT	CITY DRAWING NUMBER SE-08-25
DESIGNED BY R.M./L.B.	CHECKED BY G.C./D.K.			2008 INTERSECTION IMPROVEMENTS AND ASSOCIATED WORKS
DRAWN BY R.M.	APPROVED BY F.C.	ORIGINAL SIGNED BY F. COREY AUGUST 11/08	OSBORNE STREET EAST SIDE RIVER AVENUE TO ROSLYN ROAD	2
HOR. SCALE: 1 : 500 VERTICAL:	DATE 2008/07/21			