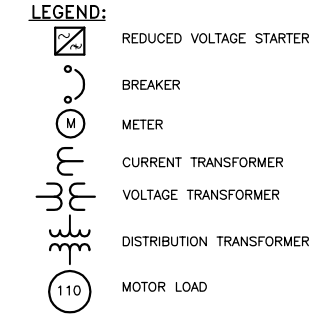
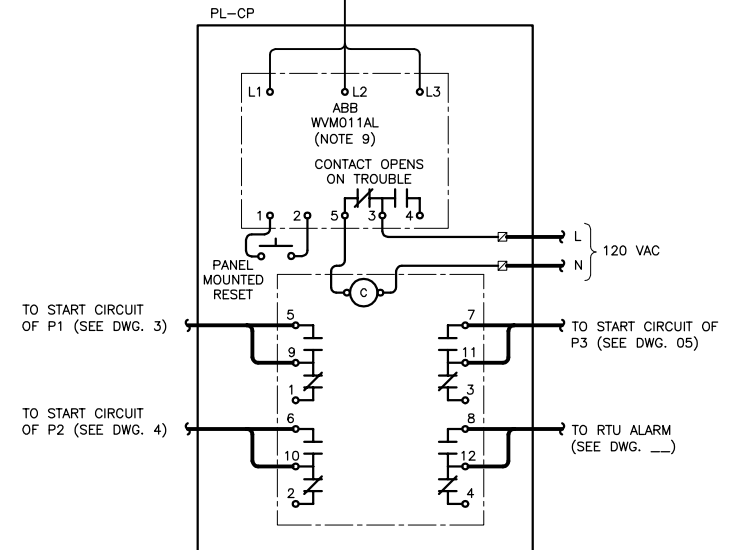


- NOTES:**
- CONTROL CABLING SHALL BE RUN IN SEPARATE 38ø [1-1/2\"] CONDUIT.
 - FEEDER SHALL BE IN ACCORDANCE WITH CEC DIAGRAM B4-4 DETAIL 2.
 - A SEPARATE 19ø [3/4\"] CONDUIT SHALL BE RUN FROM LEVEL CONTROL PANEL TO THE CITY SCADA PACK FOR ANALOG CONTROL SIGNALS.
 - TERMINATION ENCLOSURE FOR THE CONNECTION TO THE PUMP POWER AND CONTROL CABLES SHALL BE SEPARATED BY A SUITABLE BARRIER. ENCLOSURE TO BE SUITABLE FOR OUTDOORS (NEMA 3R).
 - PROVIDE LOSS OF POWER ON ANY ONE PHASE AS SHOWN ON PANEL PL-CP.
 - MAIN GROUND SHALL BE PROVIDED VIA GROUND RODS. GROUND CONDUCTOR SHALL BE MINIMUM 3/0 AWG.
 - CROUSE-HINDS 'AR 642' 60A, 3P, 4W WELDING RECEPTACLE - NO SUBSTITUTES.
 - CONFIRM BREAKER SIZE WITH REDUCED VOLTAGE STARTER (RVS) VENDOR.
 - POWER MONITOR SETPOINTS AS FOLLOWS:
UNBALANCE: 9%
LINE VOLTAGE: 600V
TRIP DELAY: 2 SEC
RESTART DELAY: 10 SEC
SELECTOR: AUTO RESTART WITH DELAY
 - VERIFY CABLING WITH ACTUAL PUMP MOTORS SUPPLIED AND INSTALL APPROPRIATE SIZE CABLING AND REDUCED VOLTAGE STARTERS.



1 SINGLE LINE / INTERCONNECTION DIAGRAM
SCALE: N.T.S



COWLEGGEND

B.M. ELEV. :		KGS GROUP CONSULTING ENGINEERS & PROJECT MANAGERS WINNIPEG (204) 896-1209 THUNDER BAY (807) 345-2233	ENGINEER'S SEAL	THE CITY OF WINNIPEG WATER AND WASTE DEPARTMENT Winnipeg	SHEET OF
			BY E. WILLMS, P.ENG. ON 23/09/08		PROJECT TITLE
DESIGNED BY	DDW	CHECKED BY	REW	RAVELSTON LAND DRAINAGE PUMPING STATION ELECTRICAL SINGLE LINE DIAGRAM	COMPUTER FILE NAME
DRAWN BY	GCN	APPROVED BY			08-0107-03E02.dwg
HOR. SCALE: N.T.S VERTICAL: .		RELEASED FOR CONSTRUCTION:		CONSULTANT DRAWING NO. 08-0107-03E02	CITY DRAWING NUMBER
NO. REVISIONS	DATE BY	DATE	08/01/11		LD-5094