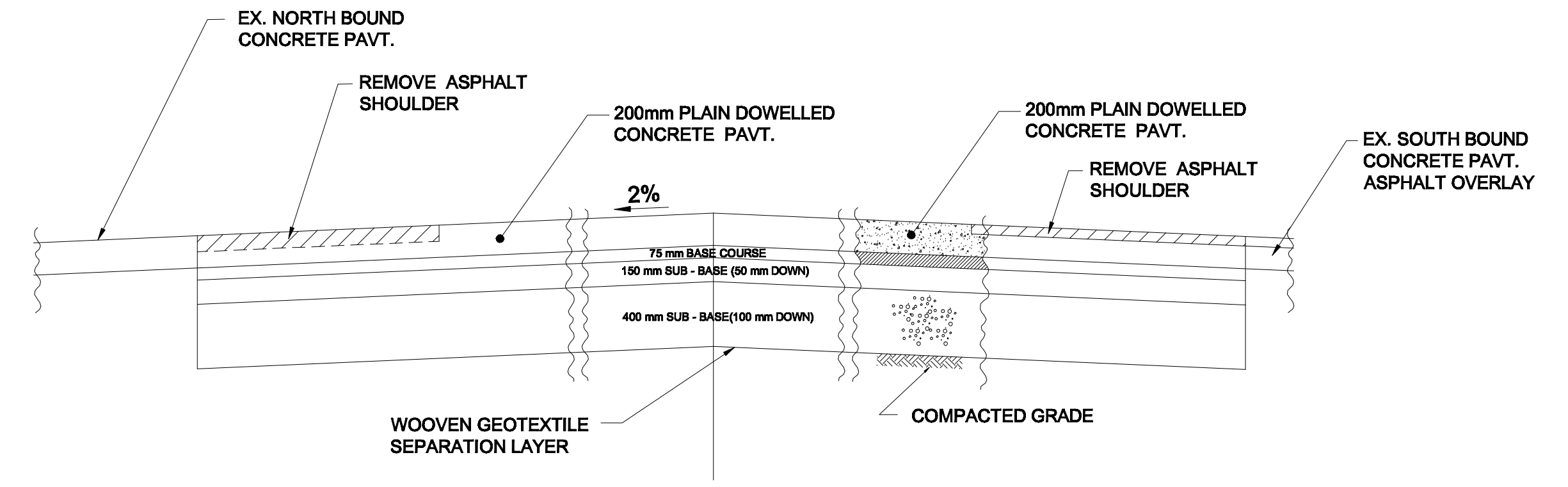
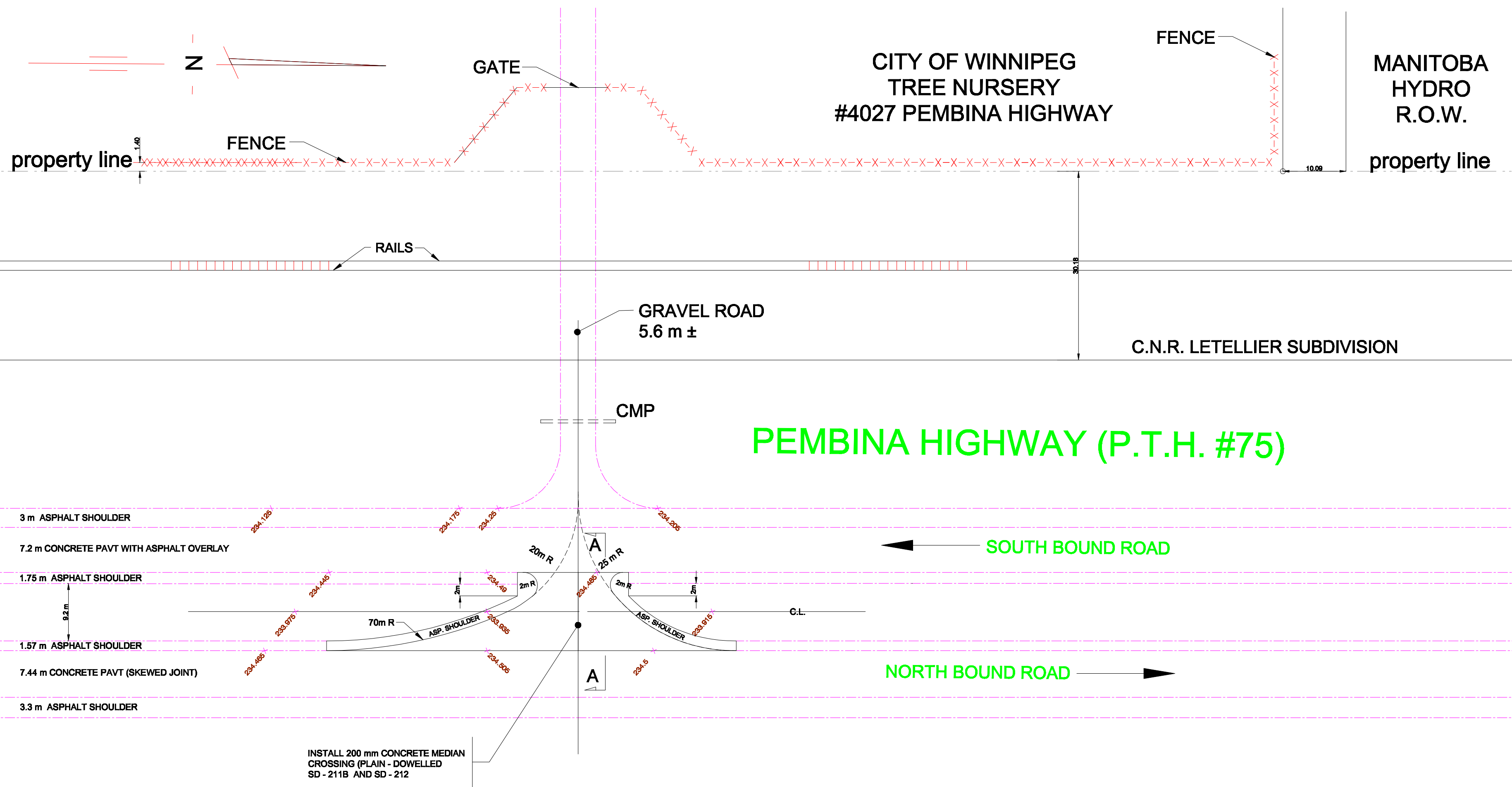


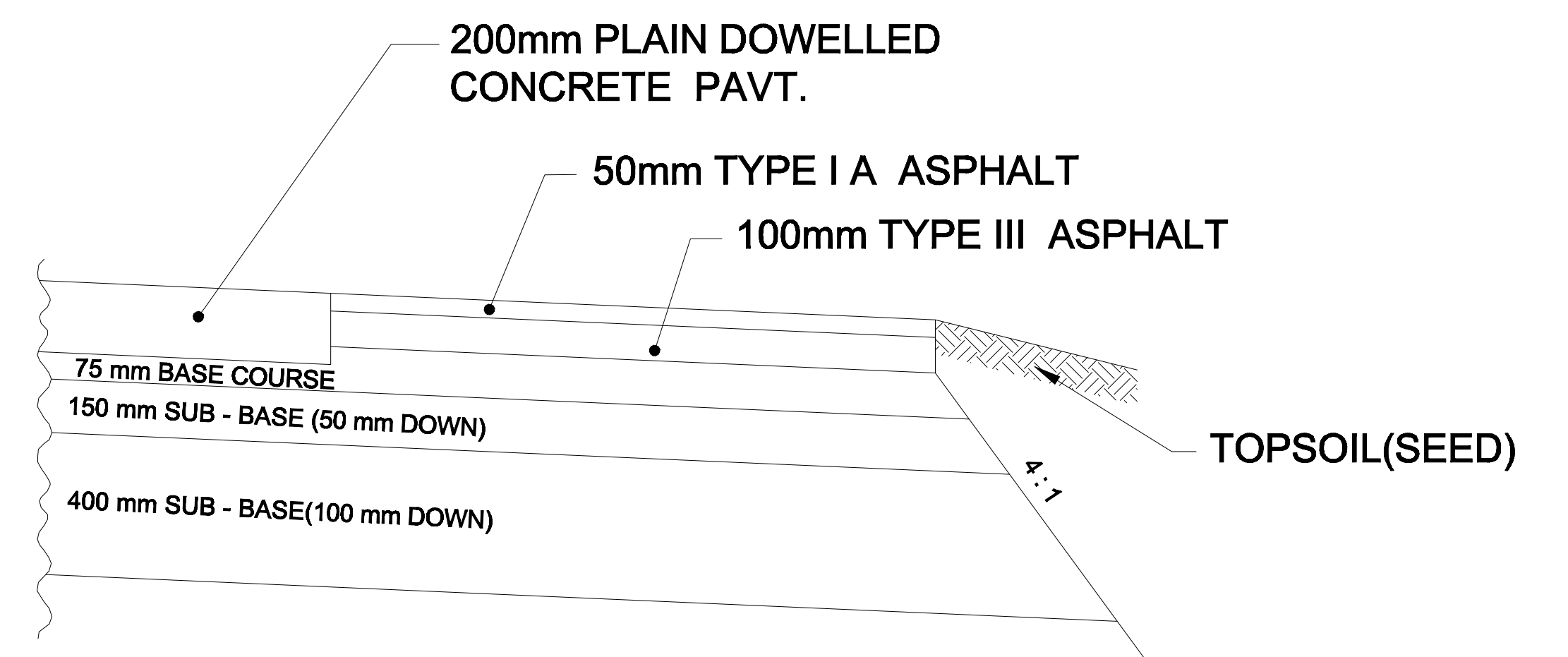
MEDIAN CROSSING  
SCALE: 1:250



SECTION A-A  
SCALE: 1:300



SITE PLAN  
SCALE: 1:500



CROSS-SECTION FOR NEW SHOULDER



B.M. ELEV.		<b>GA PRATT &amp; ASSOCIATES INC.</b> ENGINEERING CONSULTANTS		ENGINEER'S SEAL PROVINCE OF MANITOBA G.A. PRATT 14/09/2008 REGISTERED ENGINEER	
Designed By	G.A.P.	Checked By	G.A.P.	Consultant Drawing No.	08-100-05-01
Drawn By	H.A.	Approved By	G.A.P.	CITY DRAWING NUMBER	
Scale:	1:500	Released for Contr.		SHEET	OF
No.	Revisions	Date	By	Date	SEPTEMBER 2008
1 ISSUED FOR TENDER			10/22/08	Reference	
					DRAWING NO. REV.
					C1

**THE CITY OF WINNIPEG  
PUBLIC WORKS DEPARTMENT  
PARKS AND OPEN SPACE DIVISION**

CENTRE MEDIAN CROSSING  
AT  
#4027 PEMBINA HIGHWAY  
CIVIC TREE NURSERY

C:\Documents and Settings\A\huan\Desktop\4027 PEMBINA HIGHWAY.dwg (10/22/08) 11:24:40 A.M. e:\huan\ANSI.D (22.00 x 34.00 Inches)