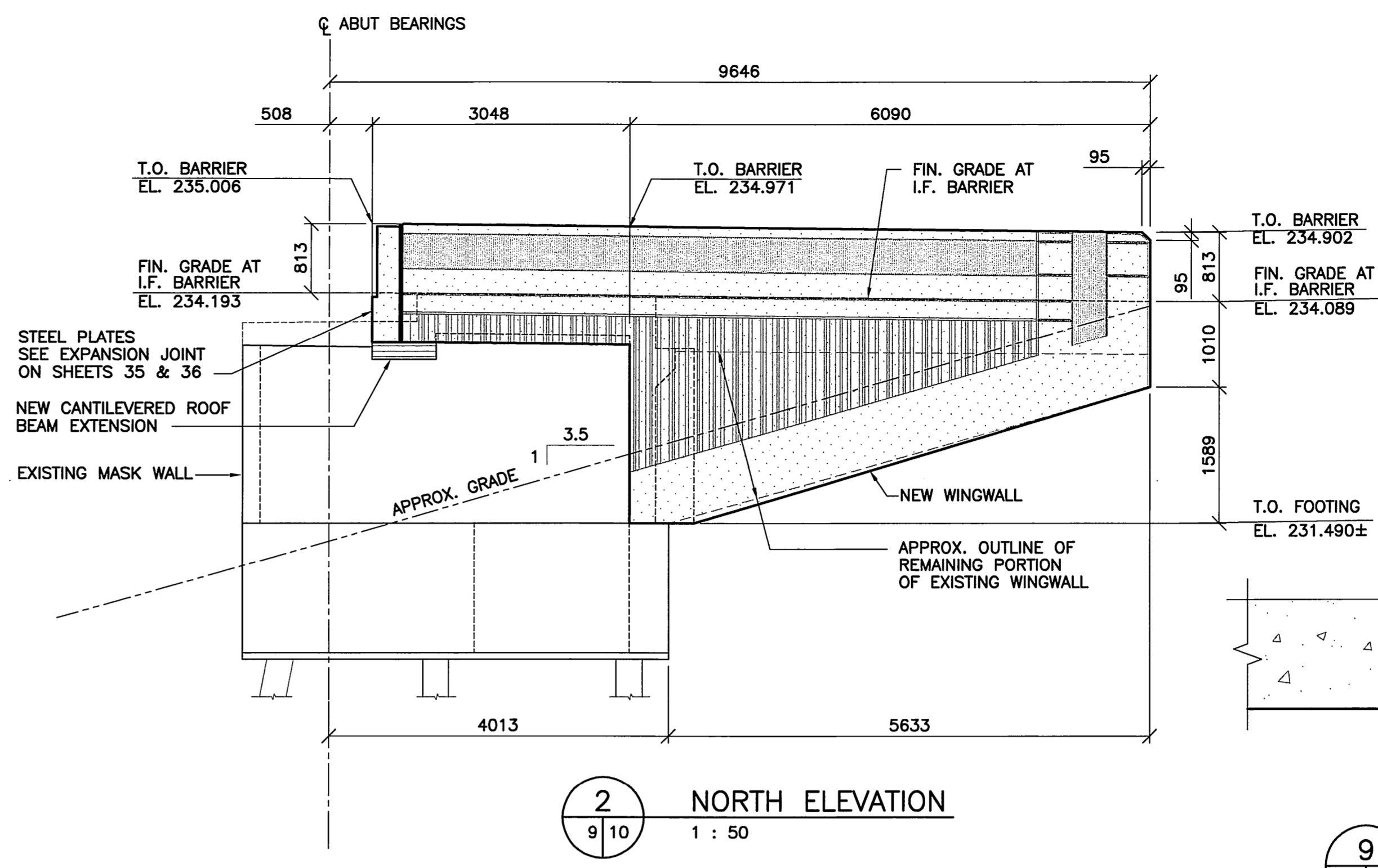
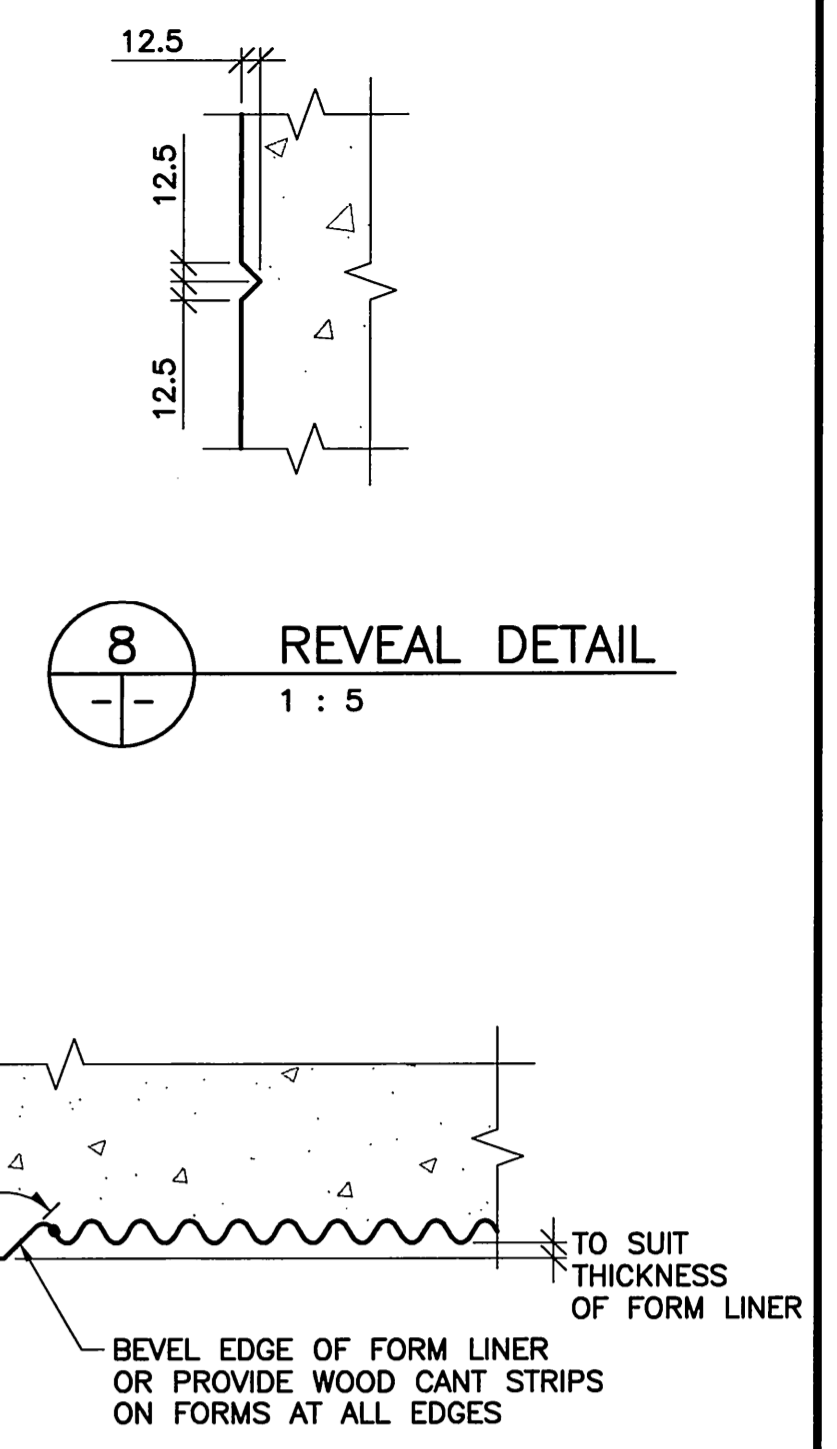


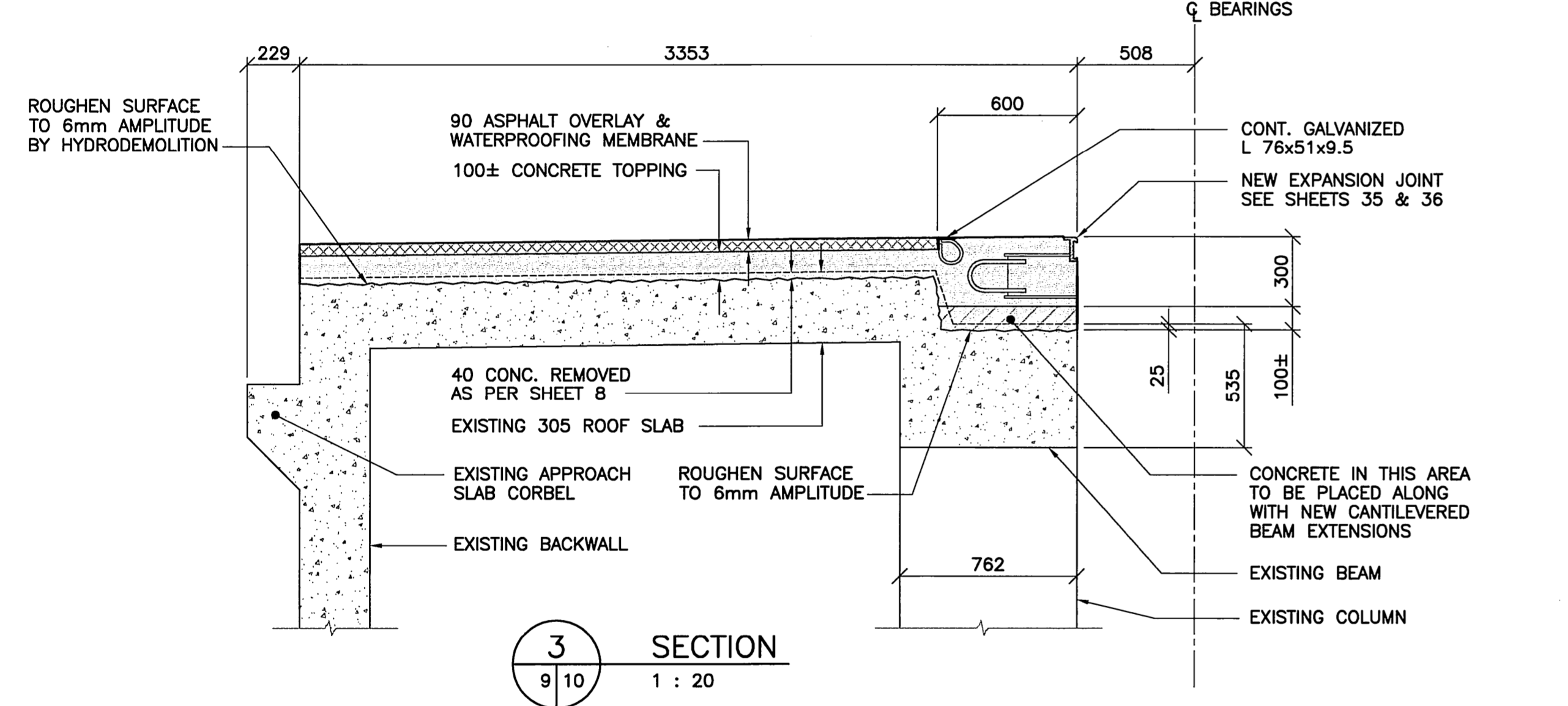
1 SOUTH ELEVATION  
1 : 50



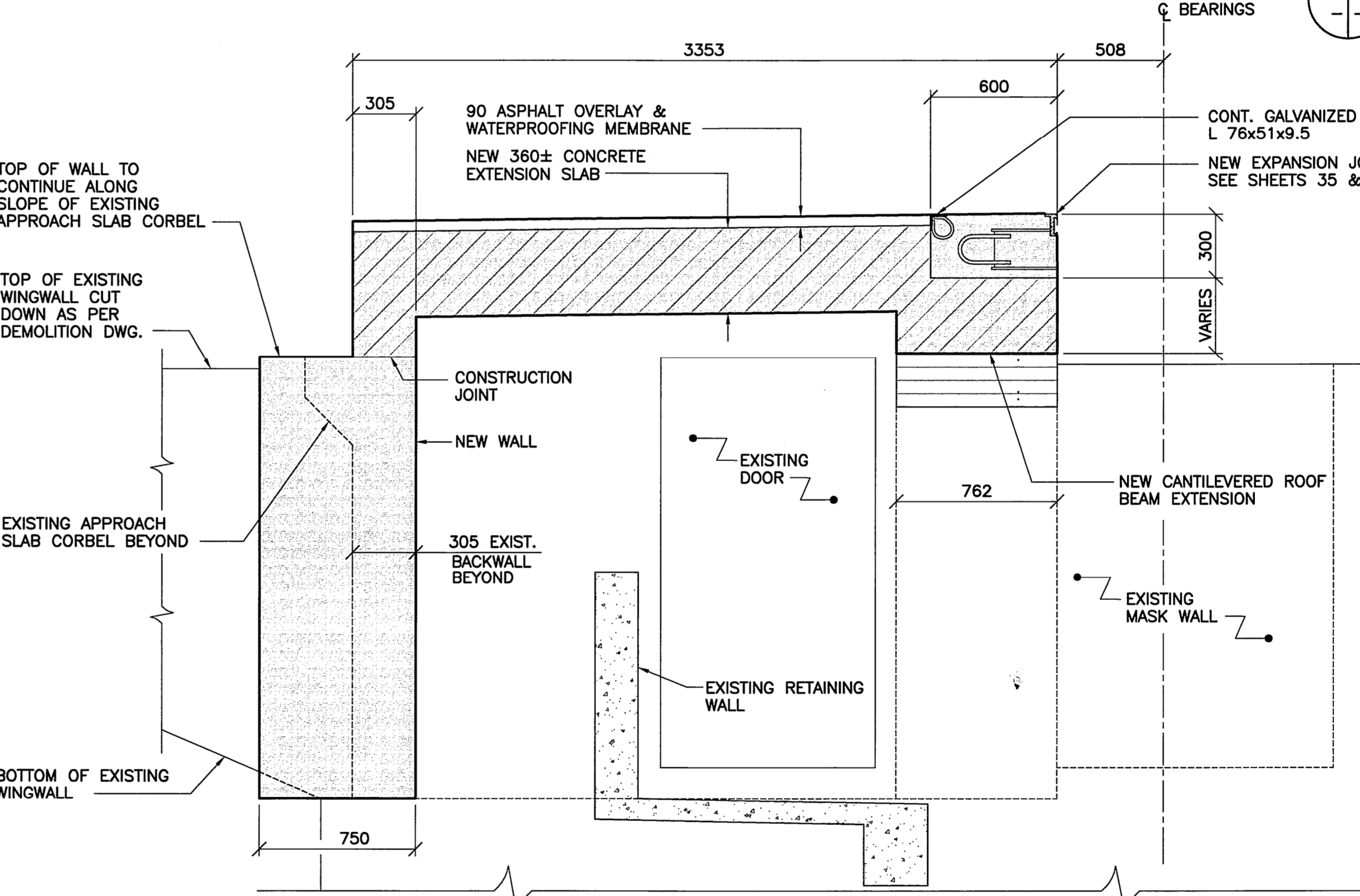
2 NORTH ELEVATION  
1 : 50



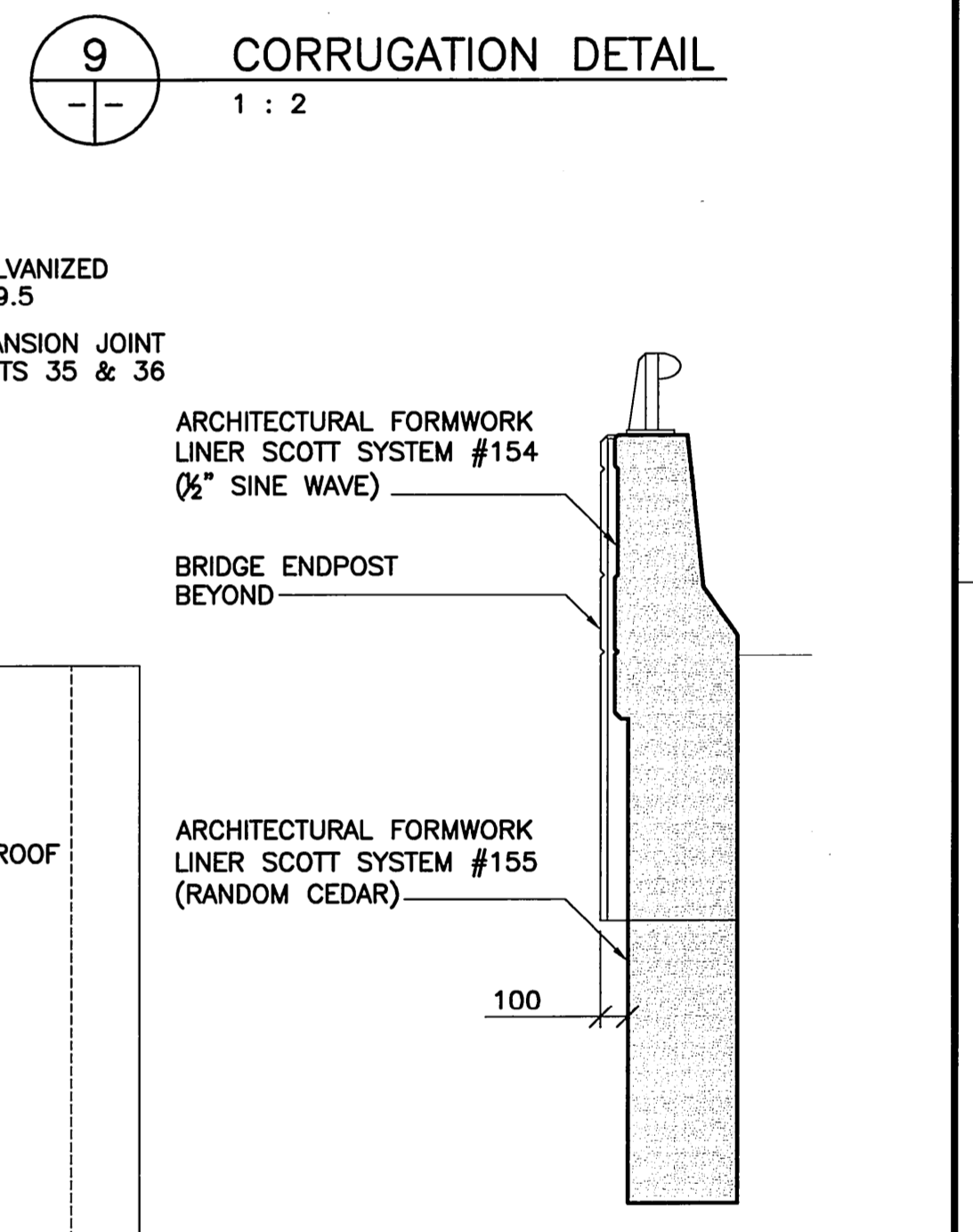
8 REVEAL DETAIL  
1 : 5



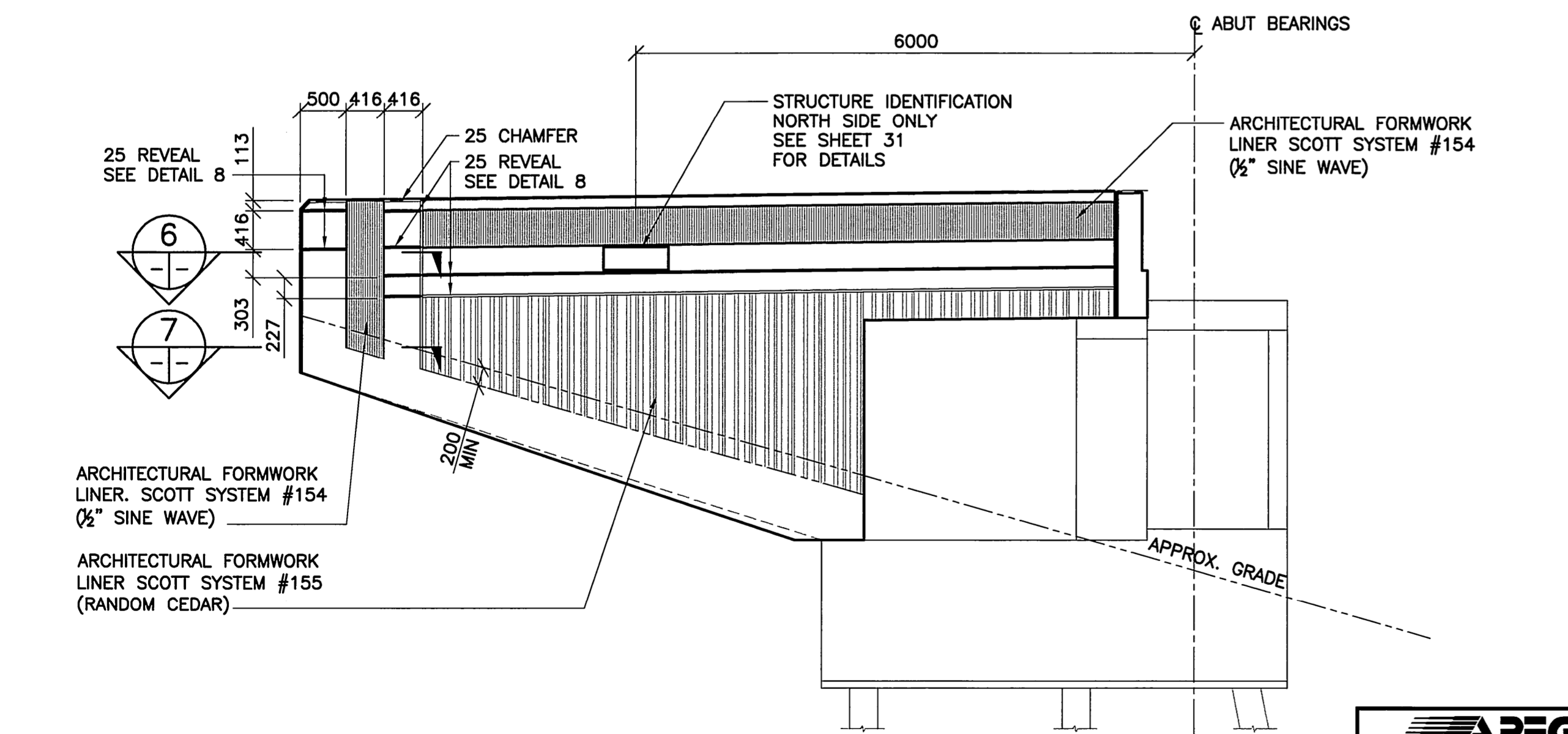
3 SECTION  
1 : 20



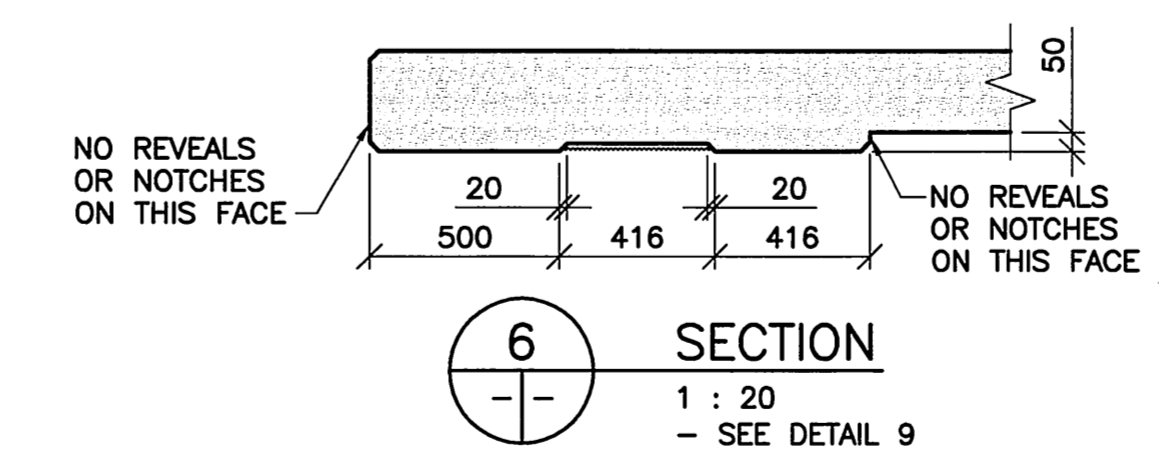
4 SECTION  
1 : 20



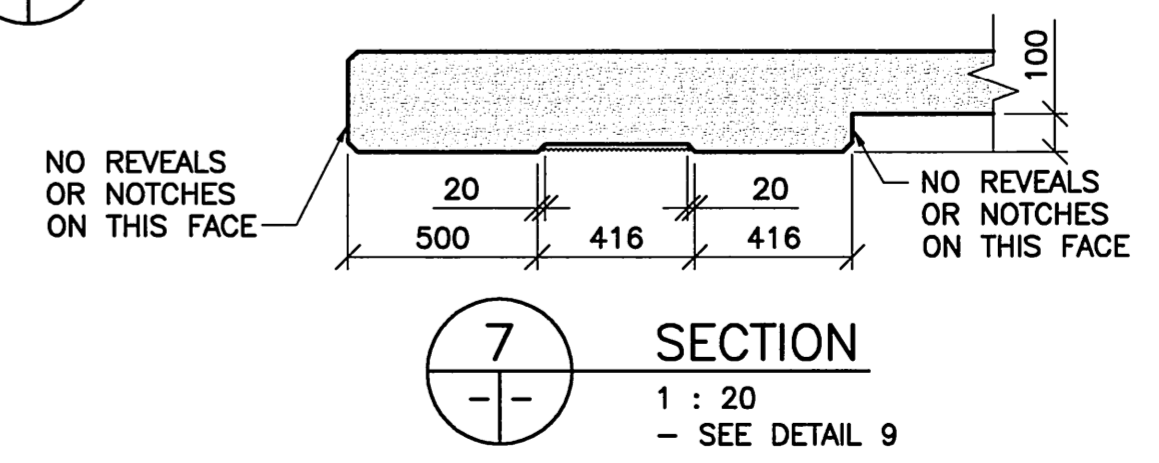
9 CORRUGATION DETAIL  
1 : 2



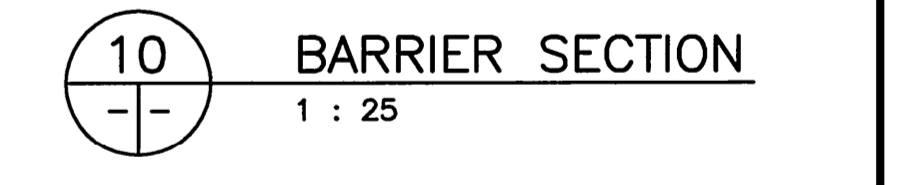
5 TYP ABUTMENT TEXTURE DETAILS  
1 : 50  
- MIRRORED ON NORTH ABUTMENT FACE



6 SECTION  
1 : 20  
- SEE DETAIL 9



7 SECTION  
1 : 20  
- SEE DETAIL 9



10 BARRIER SECTION  
1 : 25



B.M. ELEV.		F.B.		<b>WARDROP</b> Engineering Inc.			<b>THE CITY OF WINNIPEG</b> PUBLIC WORKS DEPARTMENT TRANSPORTATION ENGINEERING DIVISION	<b>FORT GARRY TWIN BRIDGES</b> WESTBOUND STRUCTURE REHABILITATION AND ASSOCIATED ROADWORKS WEST ABUTMENT - CONCRETE DETAILS 2	CITY DRAWING NUMBER <b>B173-08-010W</b> SHEET 10 OF 54
DESIGNED BY	E.F.S.	CHECKED BY		NO. REVISIONS	DATE				
DRAWN BY	P.S./C.L.	APPROVED BY		00	ISSUED FOR TENDER	08.02.05	0600070700-DWG-S1110-00		
HOR. SCALE:	AS NOTED	ACCEPTED BY		01	REVISIONS	08.02.05			
VERTICAL:									