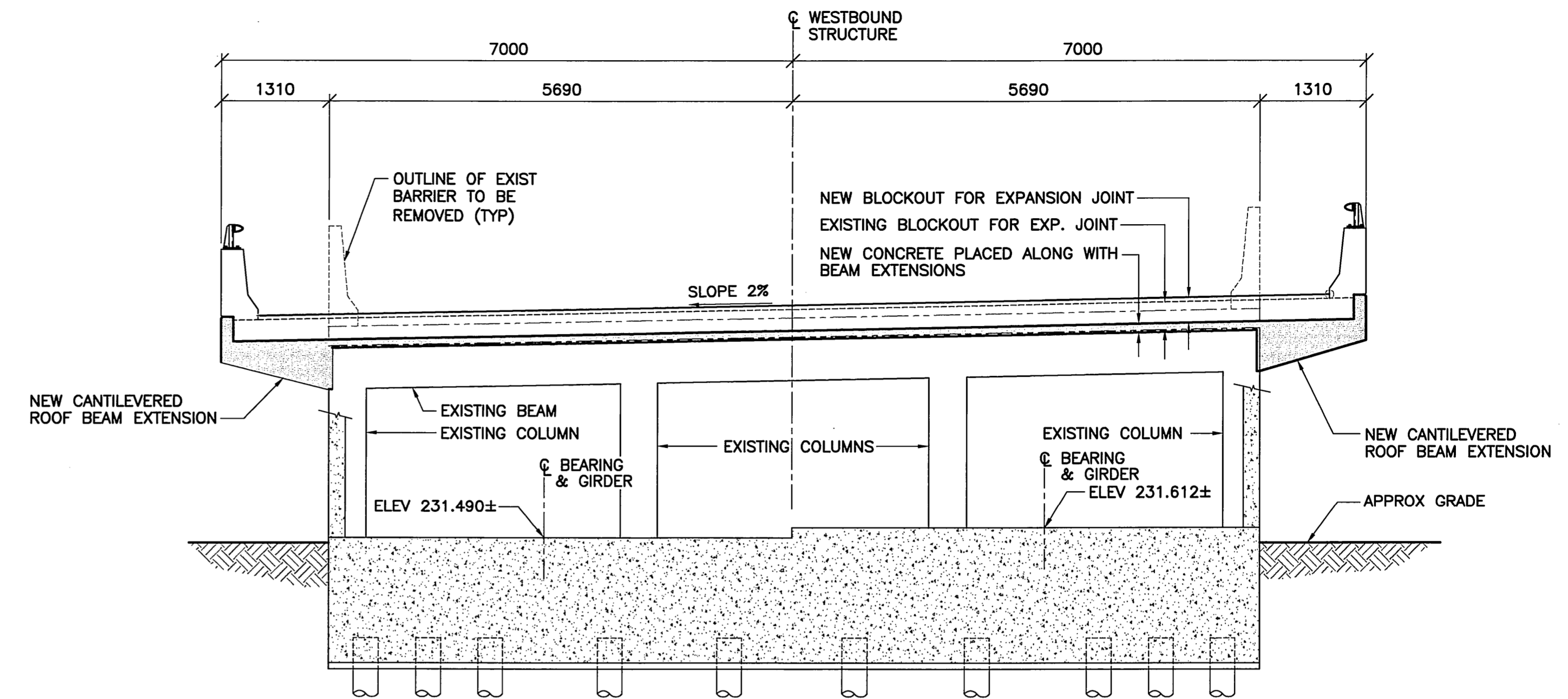
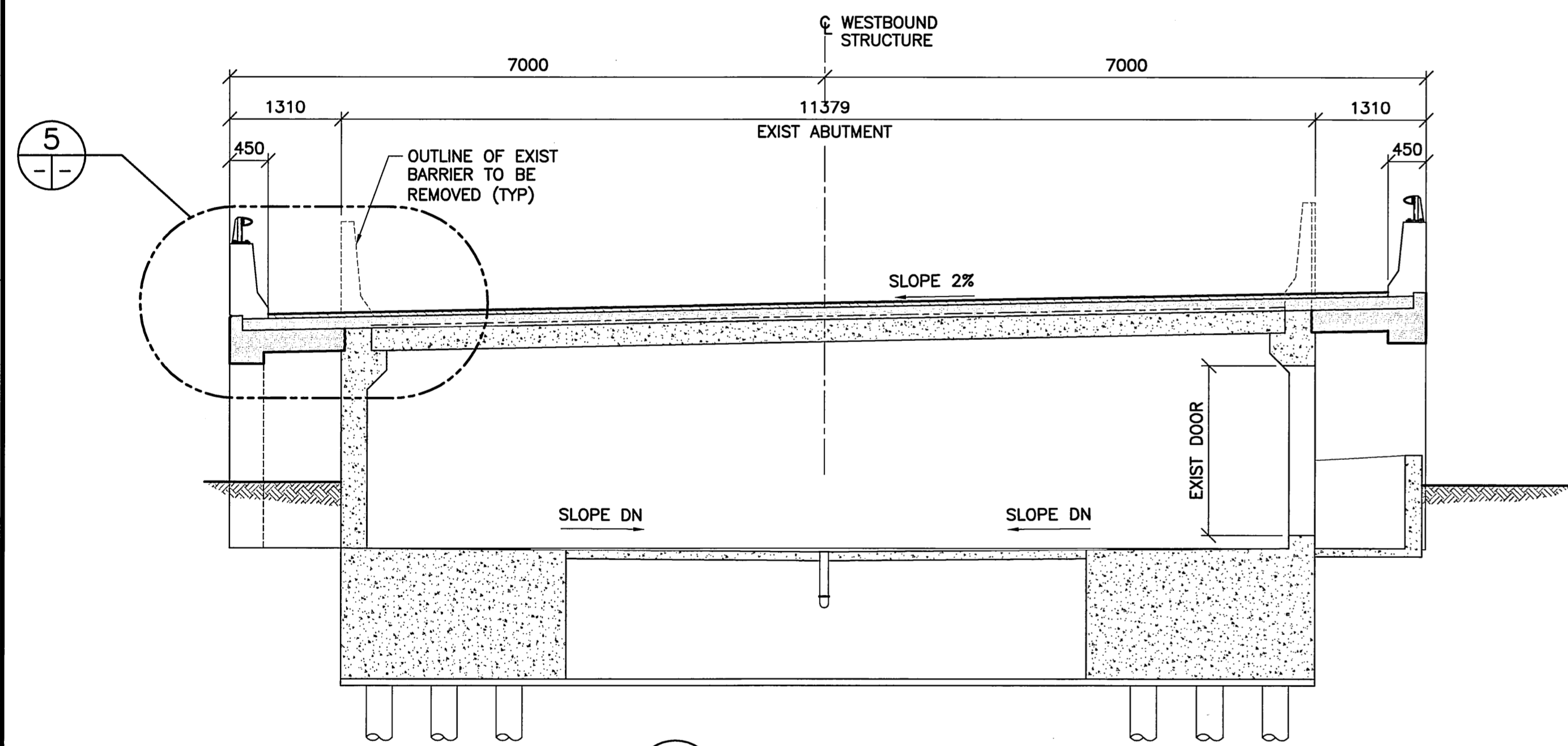


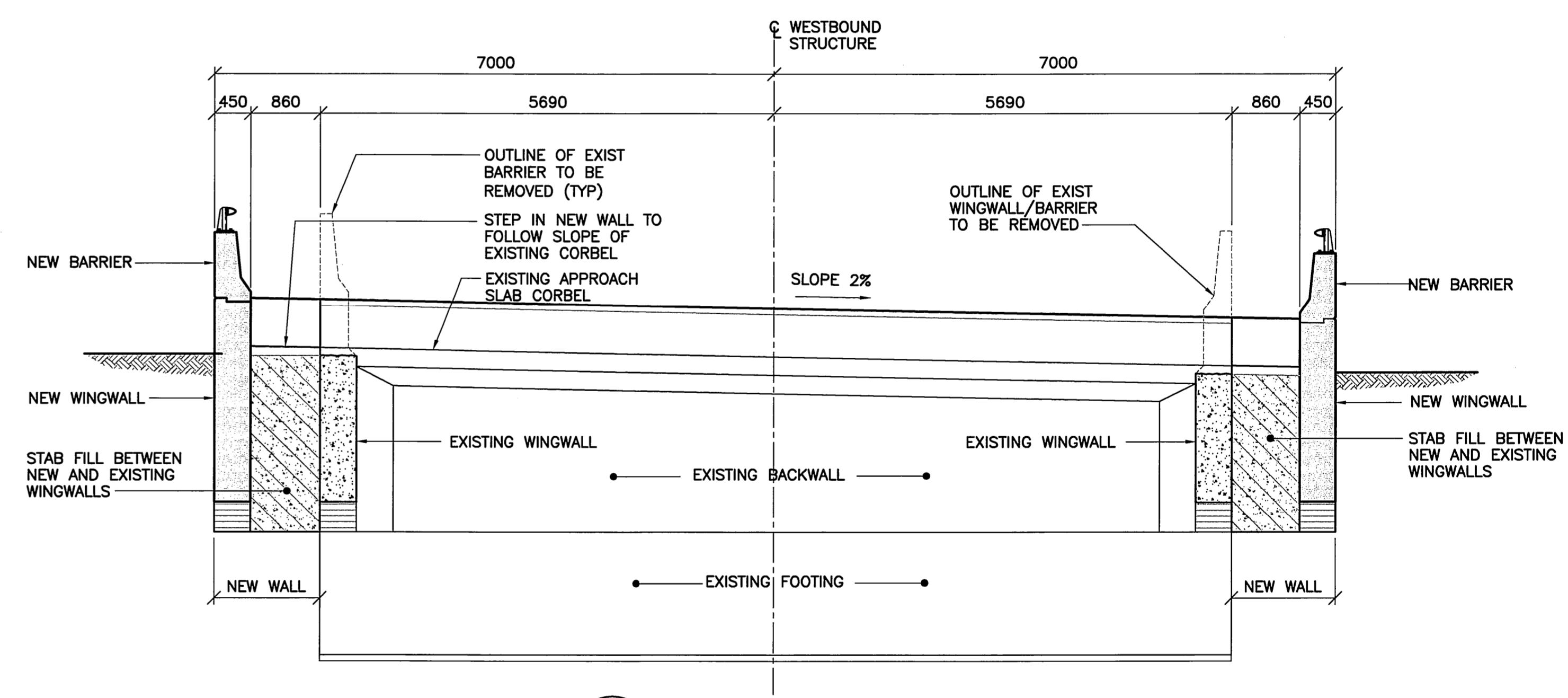
1 FRONT (EAST) ELEVATION
15 17 1 : 50
- GIRDERS NOT SHOWN FOR CLARITY



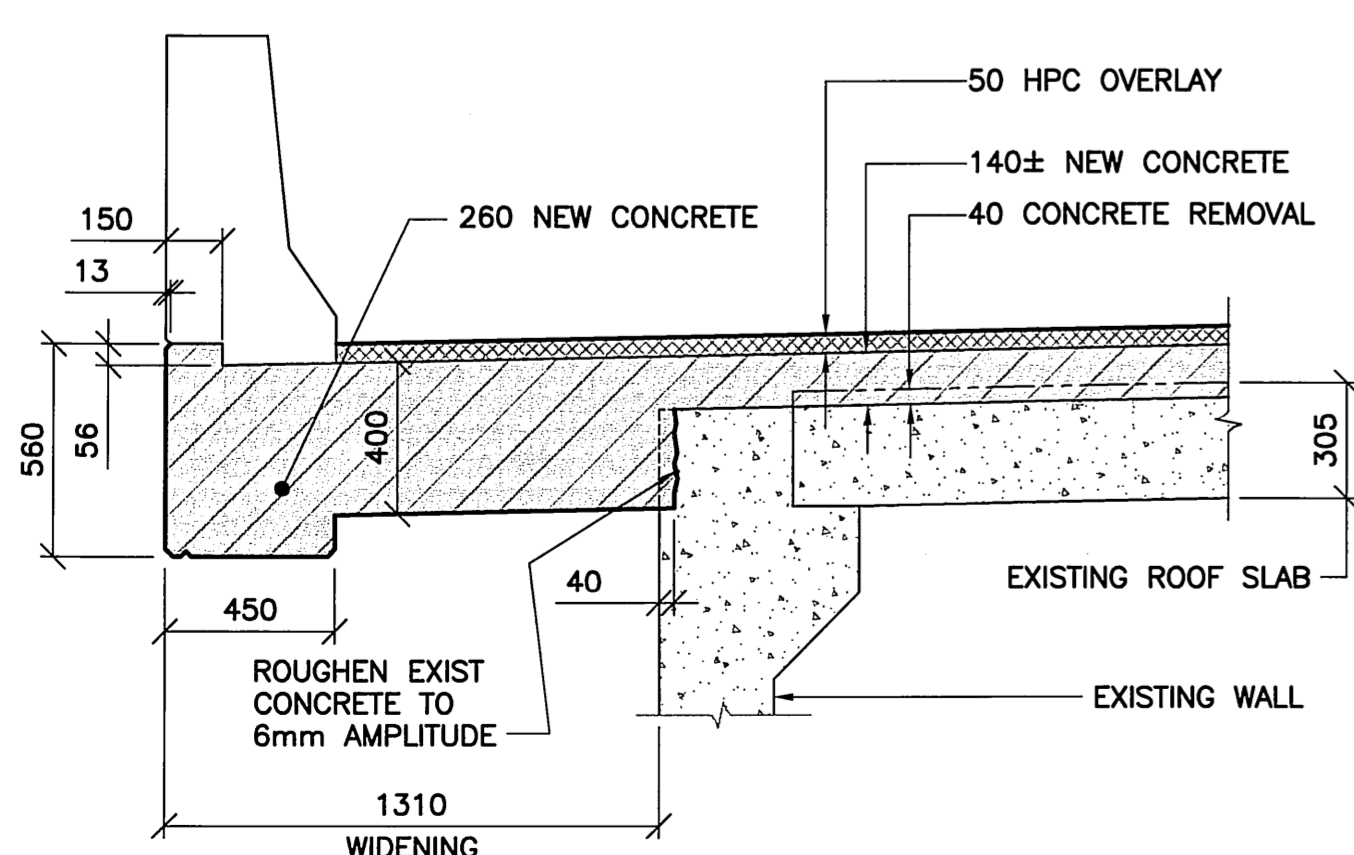
2 SECTION
15 17 1 : 50



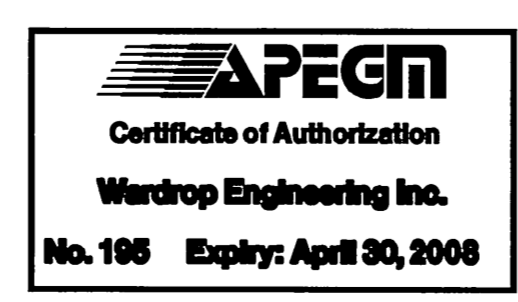
3 SECTION
15 17 1 : 50



4 SECTION/REAR ELEVATION
15 17 1 : 50
- NEW APPROACH SLAB NOT SHOWN FOR CLARITY



5 DETAIL
1 : 20



B.M. ELEV.	F.B.	WARDROP Engineering Inc.		THE CITY OF WINNIPEG PUBLIC WORKS DEPARTMENT TRANSPORTATION ENGINEERING DIVISION	CITY DRAWING NUMBER B173-08-017W SHEET 17 OF 54
DESIGNED BY E.F.S.	CHECKED BY				
DRAWN BY G.I./P.S.	APPROVED BY	HOR. SCALE: AS NOTED	ACCEPTED BY DATE 08-02-05	CONSULTANT DRAWING NO. 0600070700-DWG-S1117-00	
00 ISSUED FOR TENDER NO. REVISIONS	08.02.05 DATE BY	DATE 08.02.05	RANDY FRINGS P. ENG BRIDGES PROJECTS ENGINEER		