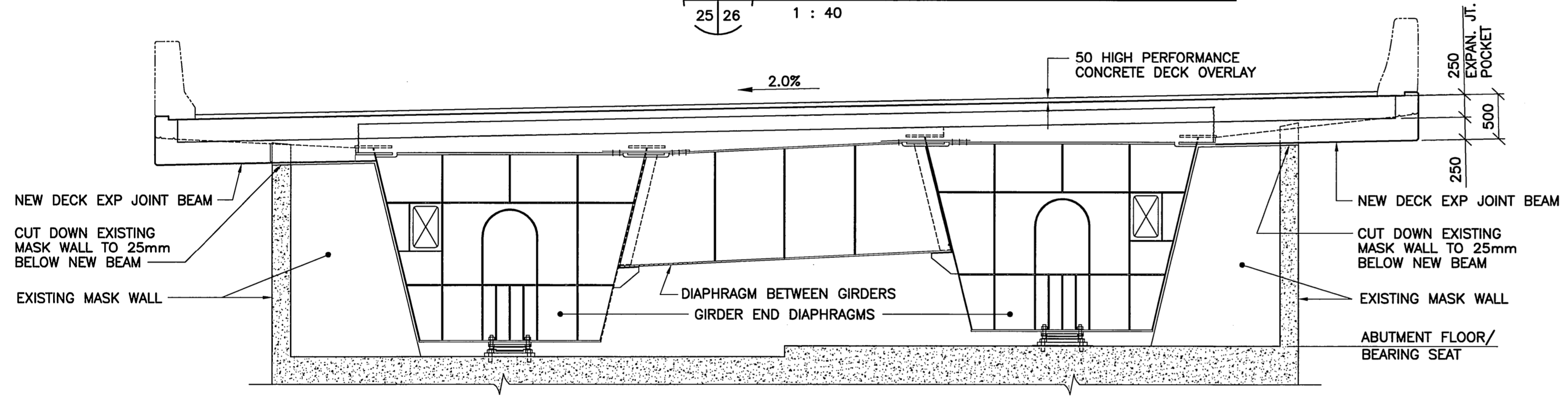
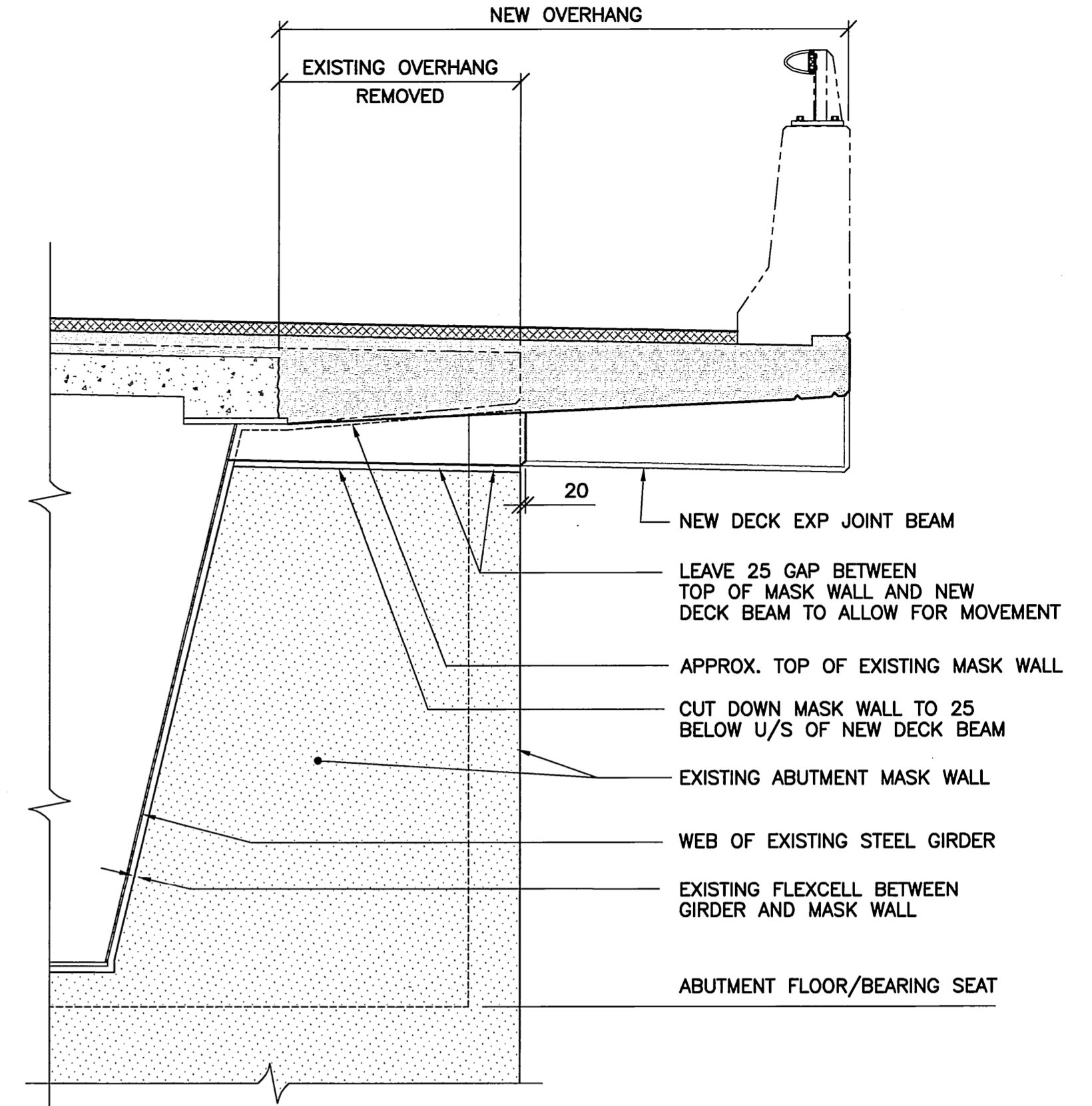


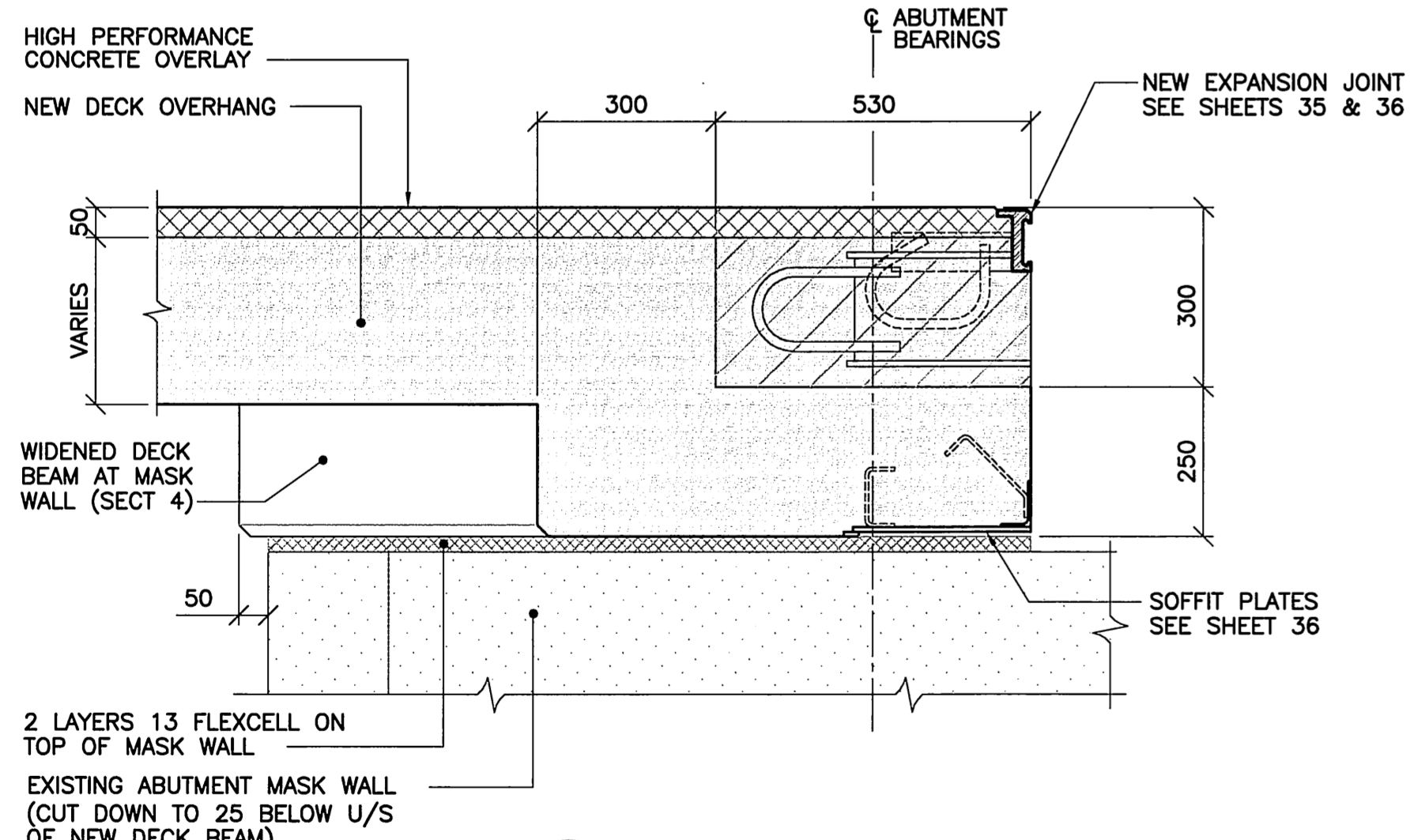
1 PARTIAL DECK PLAN AT ABUTMENT
1 : 40



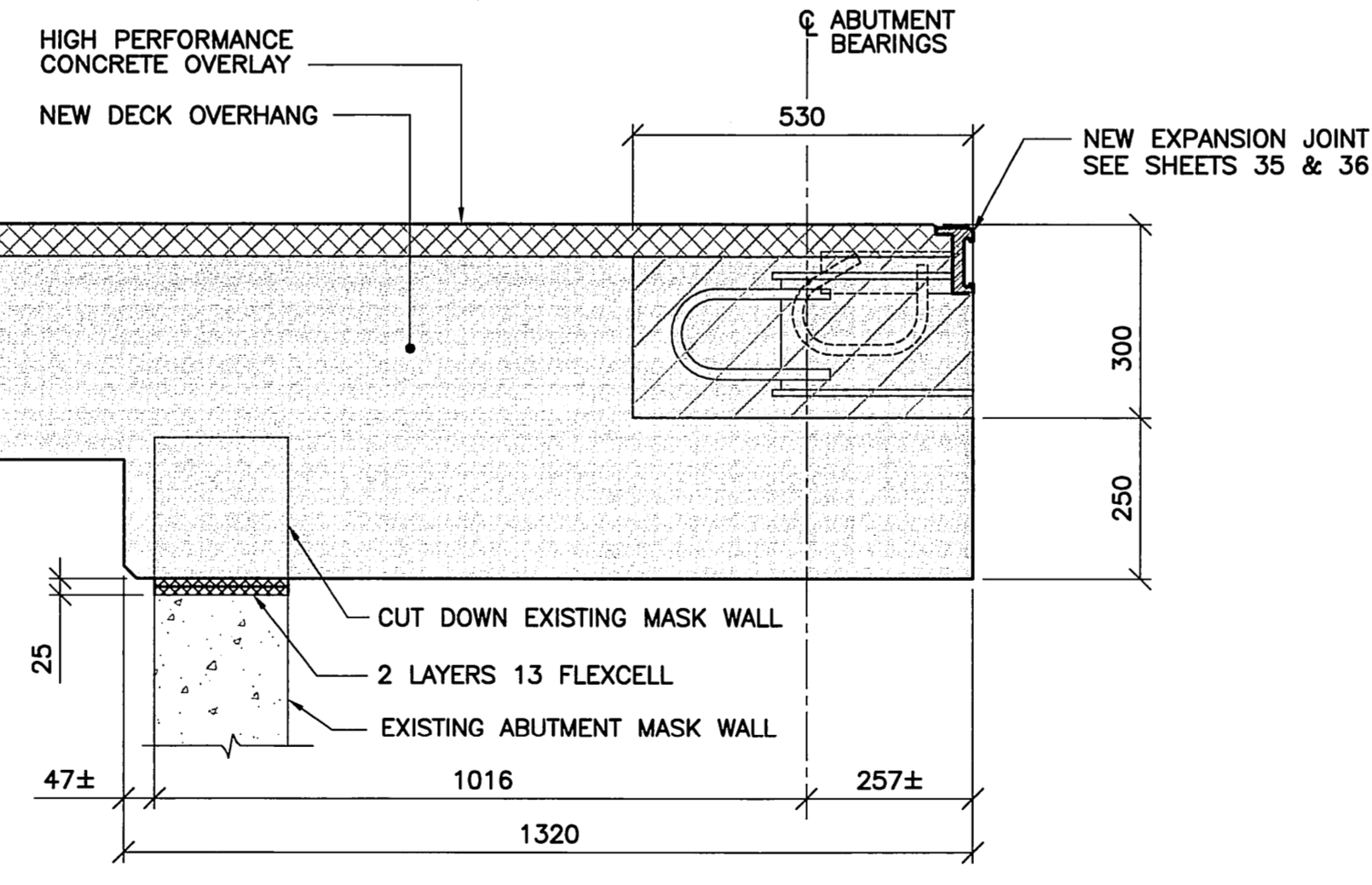
2 SECTION
1 : 40
THIS VIEW SHOWS WEST END OF BRIDGE LOOKING EAST. EAST END LOOKING WEST IS SAME BUT OPPOSITE HAND.



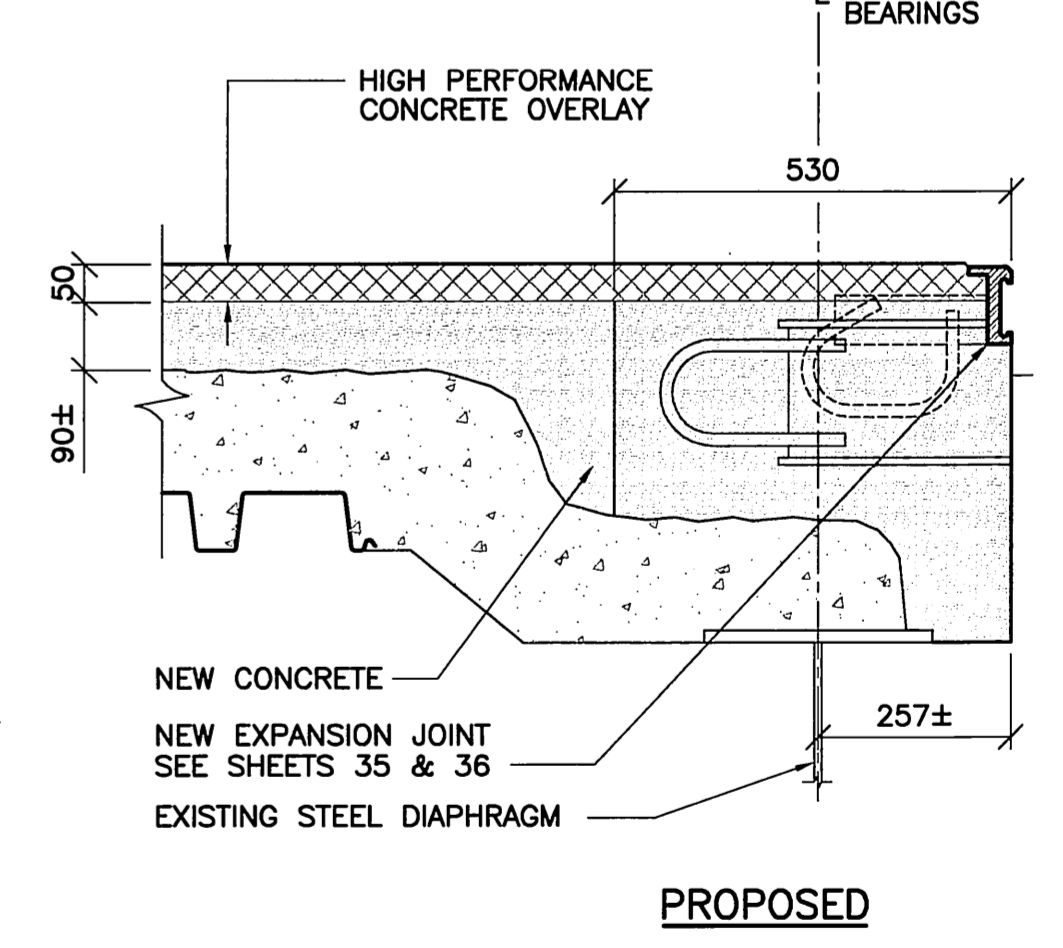
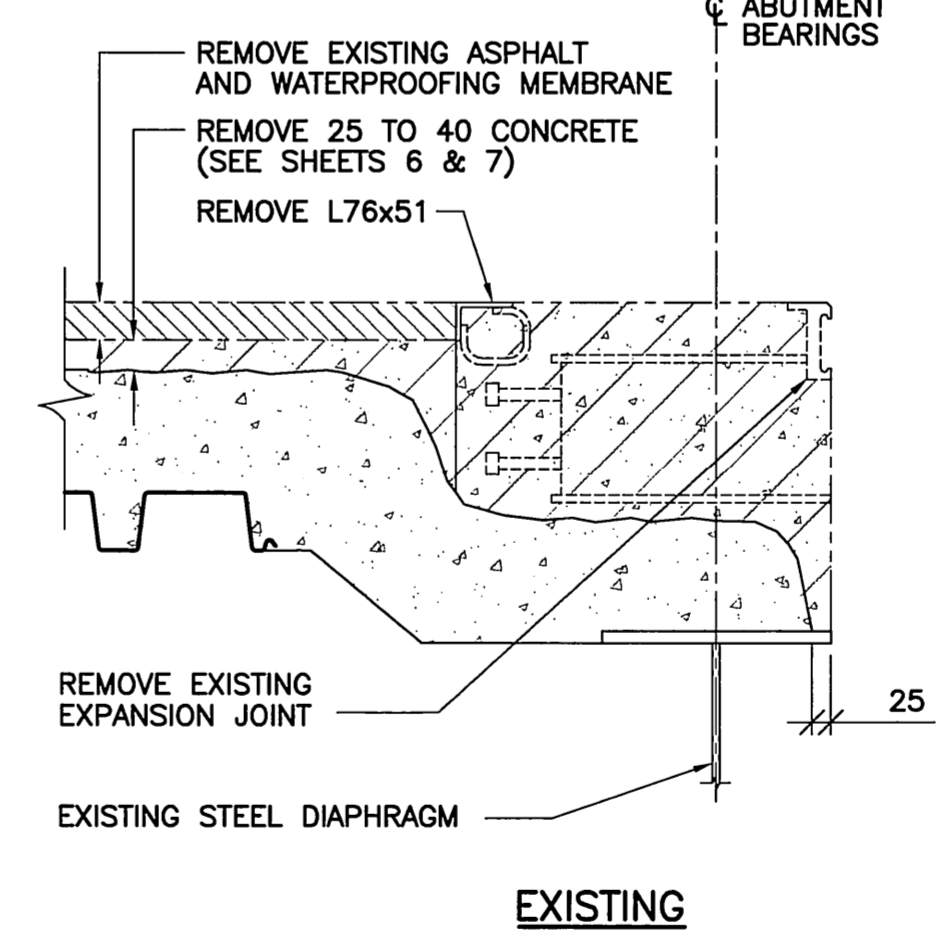
6 ELEVATION/SECTION
1 : 20
THIS VIEW SHOWS THE CONDITION AT LOW SIDE OF DECK. CONDITION AT HIGH SIDE SIMILAR.



3 SECTION
1 : 10



4 SECTION
1 : 10



5 SECTION
1 : 10



B.M. ELEV.	F.B.	WARDROP Engineering Inc.		THE CITY OF WINNIPEG PUBLIC WORKS DEPARTMENT TRANSPORTATION ENGINEERING DIVISION	FORT GARRY TWIN BRIDGES WESTBOUND STRUCTURE REHABILITATION AND ASSOCIATED ROADWORKS BRIDGE DECK - CONCRETE DETAILS 2	CITY DRAWING NUMBER B173-08-026W SHEET 26 OF 54
00	ISSUED FOR TENDER	08.02.05	GFS			
NO.	REVISIONS	DATE	BY	DATE	08.02.05	