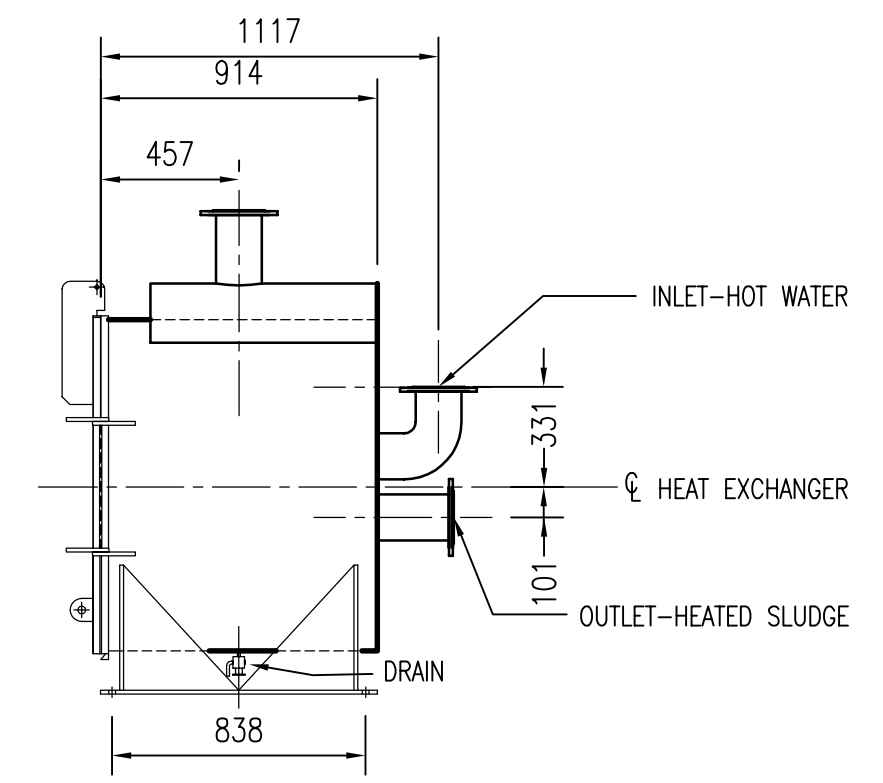
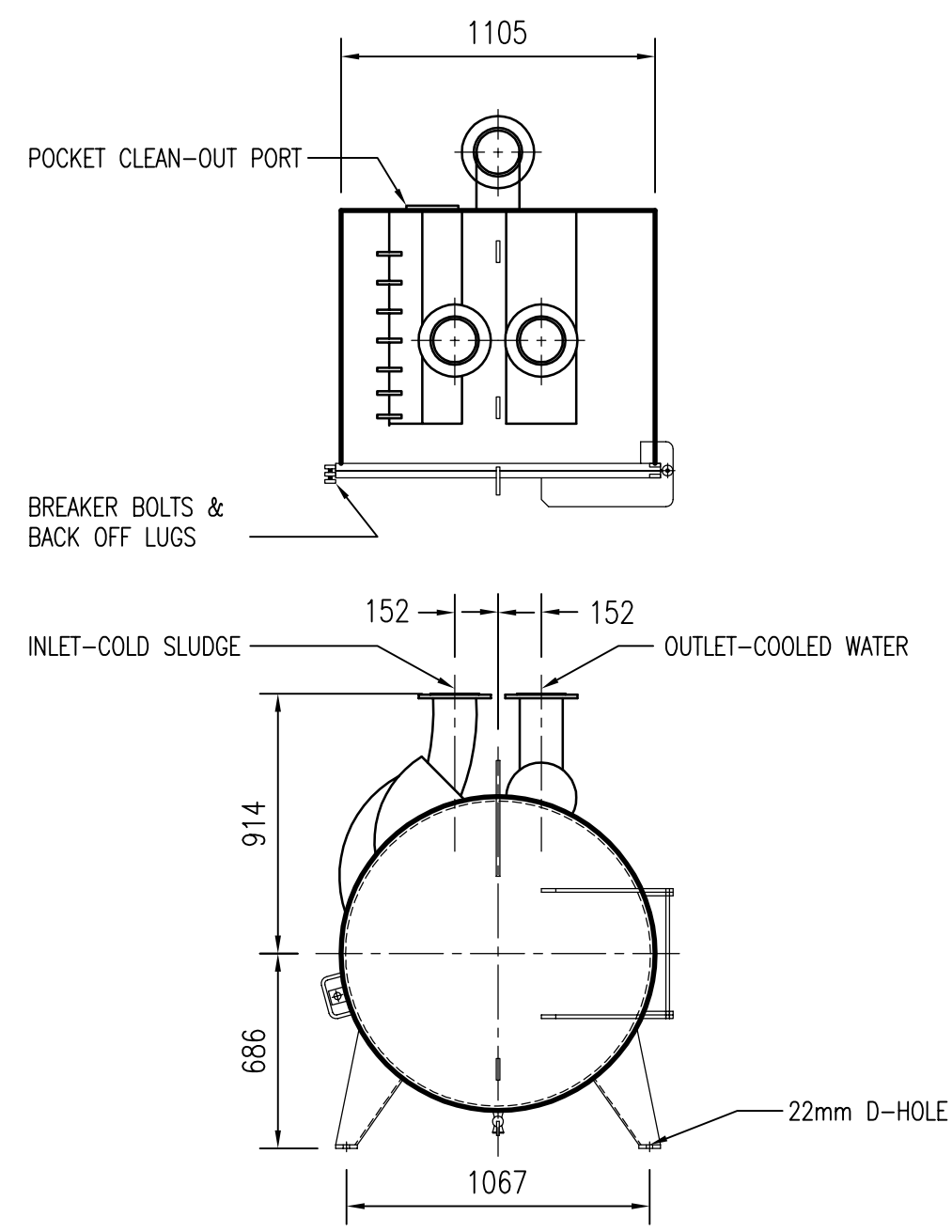


LAST SAVE: 2008/08/01 - 11:49am  
 PATH: M:\113166\4ENG\45MEC\DD - General DWG\1-0101D-M0001-001-PAB.dwg  
 B SIZE - 279mm x 432mm



- NOTES:**
1. THE HEAT EXCHANGER SHALL BE GENERALLY AS SHOWN. SOME DEVIATIONS FROM THE GIVEN DIMENSIONS WILL BE CONSIDERED, BUT THE GENERAL ARRANGEMENT AND NOZZLE ORIENTATION IS TO BE MAINTAINED.
  2. PROVIDE PLUGGED DRAIN NOZZLES FOR WATER CHANNELS.
  3. SLUDGE NOZZLES, INLET AND OUTLET, SHALL BE 150mm (6") RAISED FACE 150# ANSI.
  4. WATER NOZZLES, INLET AND OUTLET, SHALL BE 150mm (6") RAISED FACE 150# ANSI.

		<b>SNC-LAVALIN INC.</b> 148 Nature Park Way Winnipeg, MB, Canada R3P 0X7 204-786-8080		DESIGNED BY: EXISTING	ENGINEER'S SEAL	<b>THE CITY OF WINNIPEG</b> WATER AND WASTE DEPARTMENT		
		DRAWN BY: C. ALMAZAN	NORTH END WATER POLLUTION CONTROL CENTRE DIGESTER HEAT EXCHANGER REPLACEMENT DIMENSIONAL ARRANGEMENT SPIRAL HEAT EXCHANGER					
		CHECKED BY: D. CROCKER		CITY DRAWING NUMBER				
		APPROVED BY:		1-0101D-M0001				
		SCALE: 1:25		SHEET		REV.	SIZE	
		DATE: 2008/07/22		001		PA	B	
PA	ISSUED FOR REVIEW	2008/08/01	CCA	CONSULTANT NO.: 000000-0000				
NO.	REVISIONS	DATE	BY					