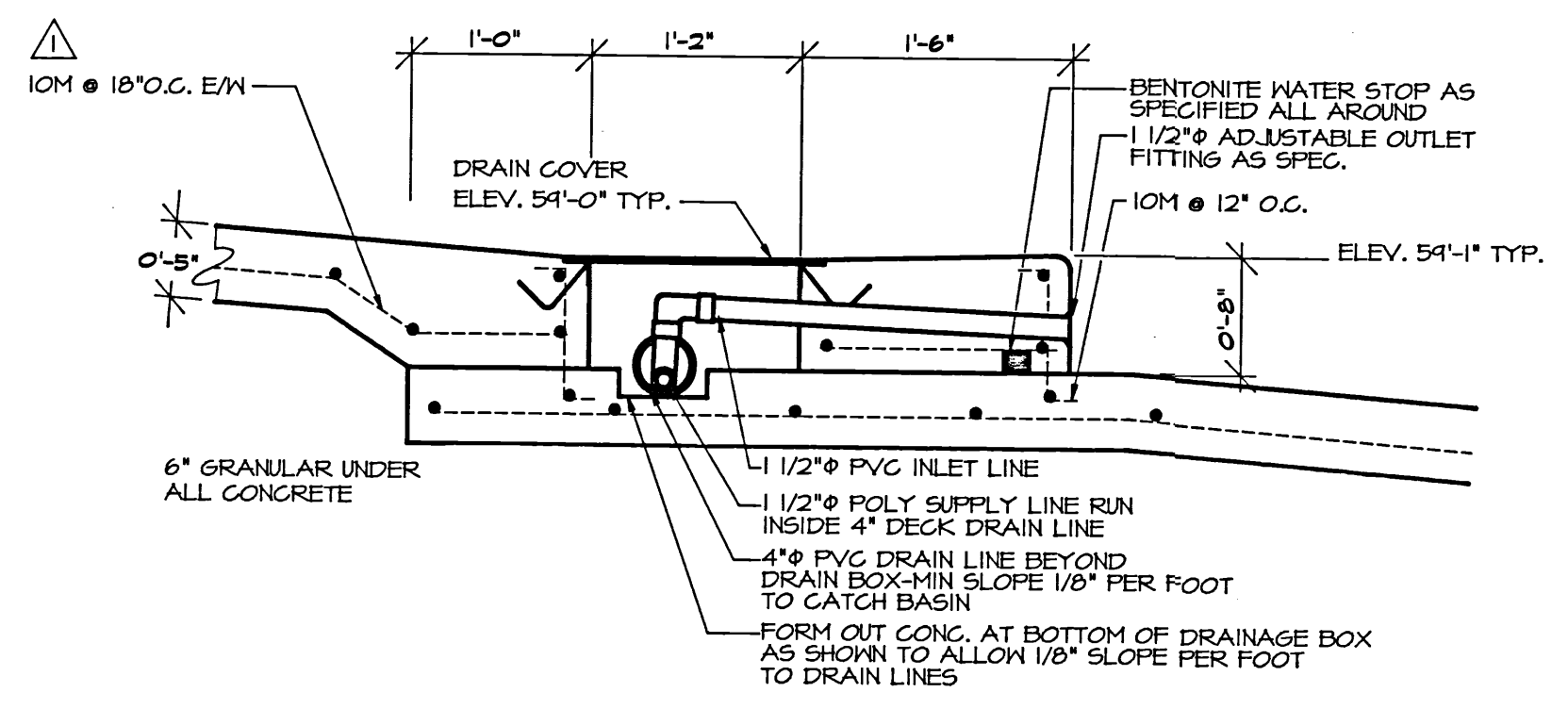
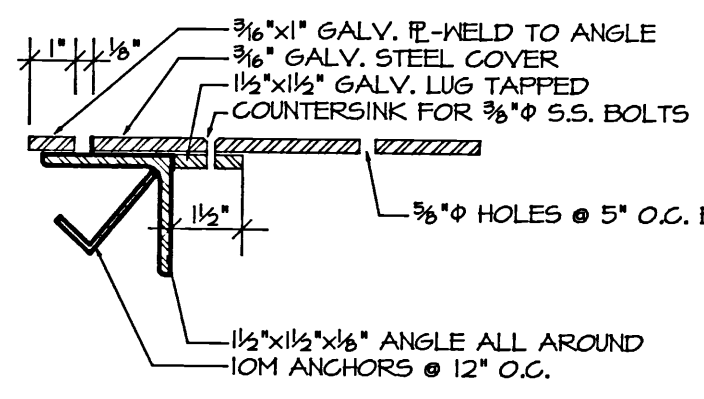


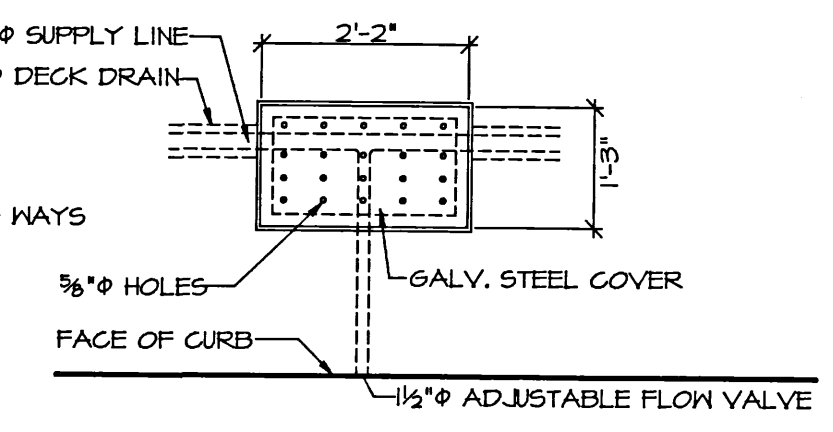
NOTES :



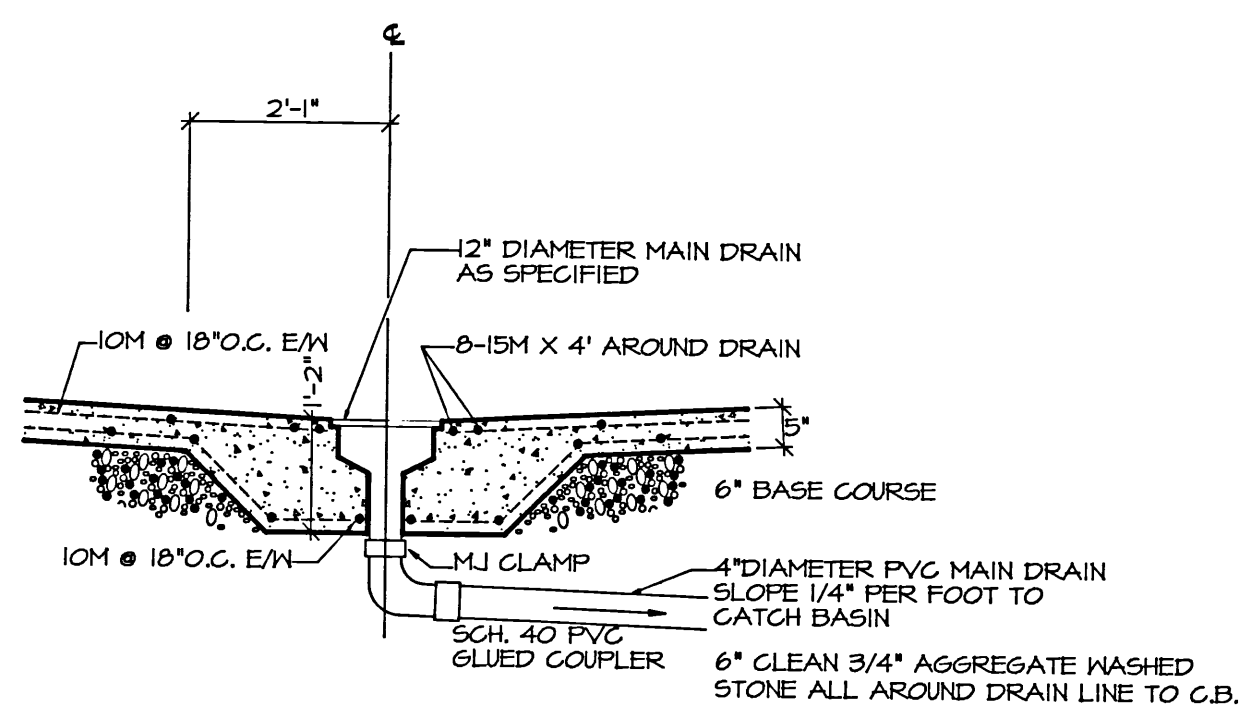
1 2 DRAINAGE BOX SECTION SCALE: 1"=1'-0"



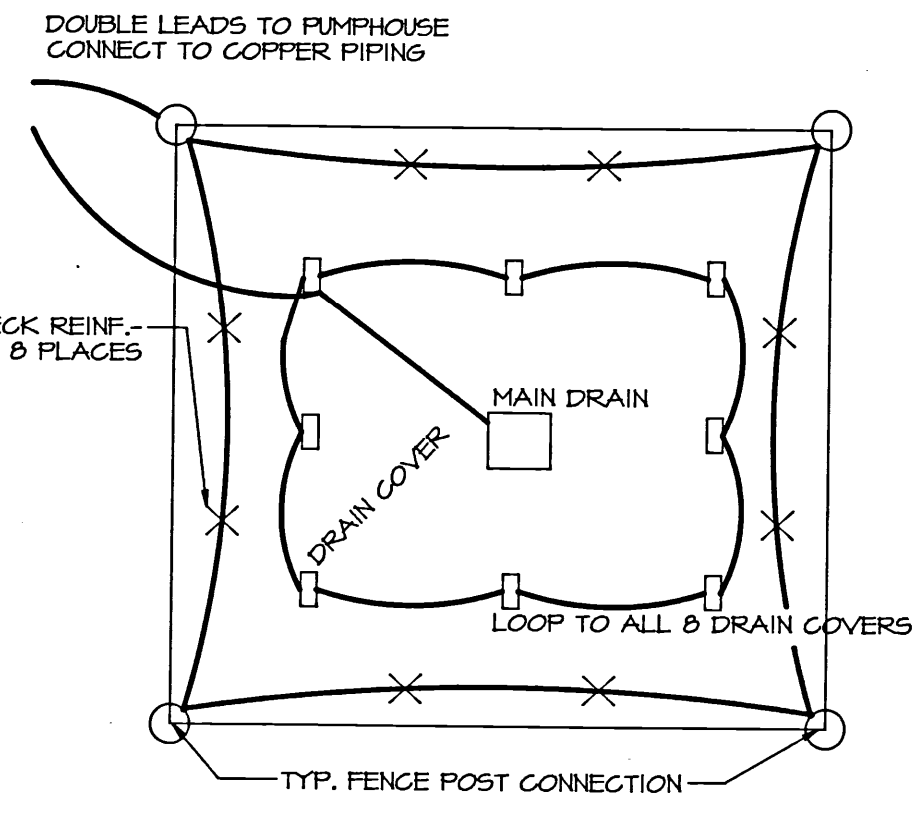
DRAIN COVER DETAIL SCALE: NONE



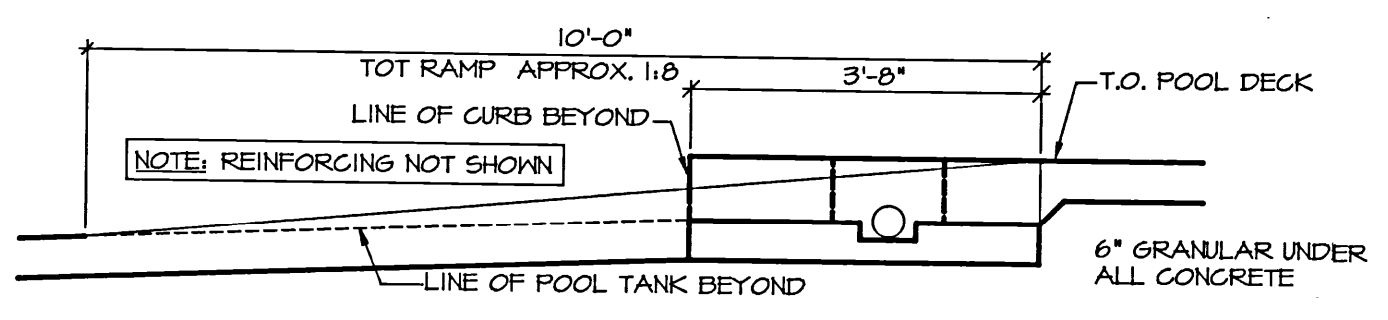
DRAIN COVER PLAN SCALE: NONE



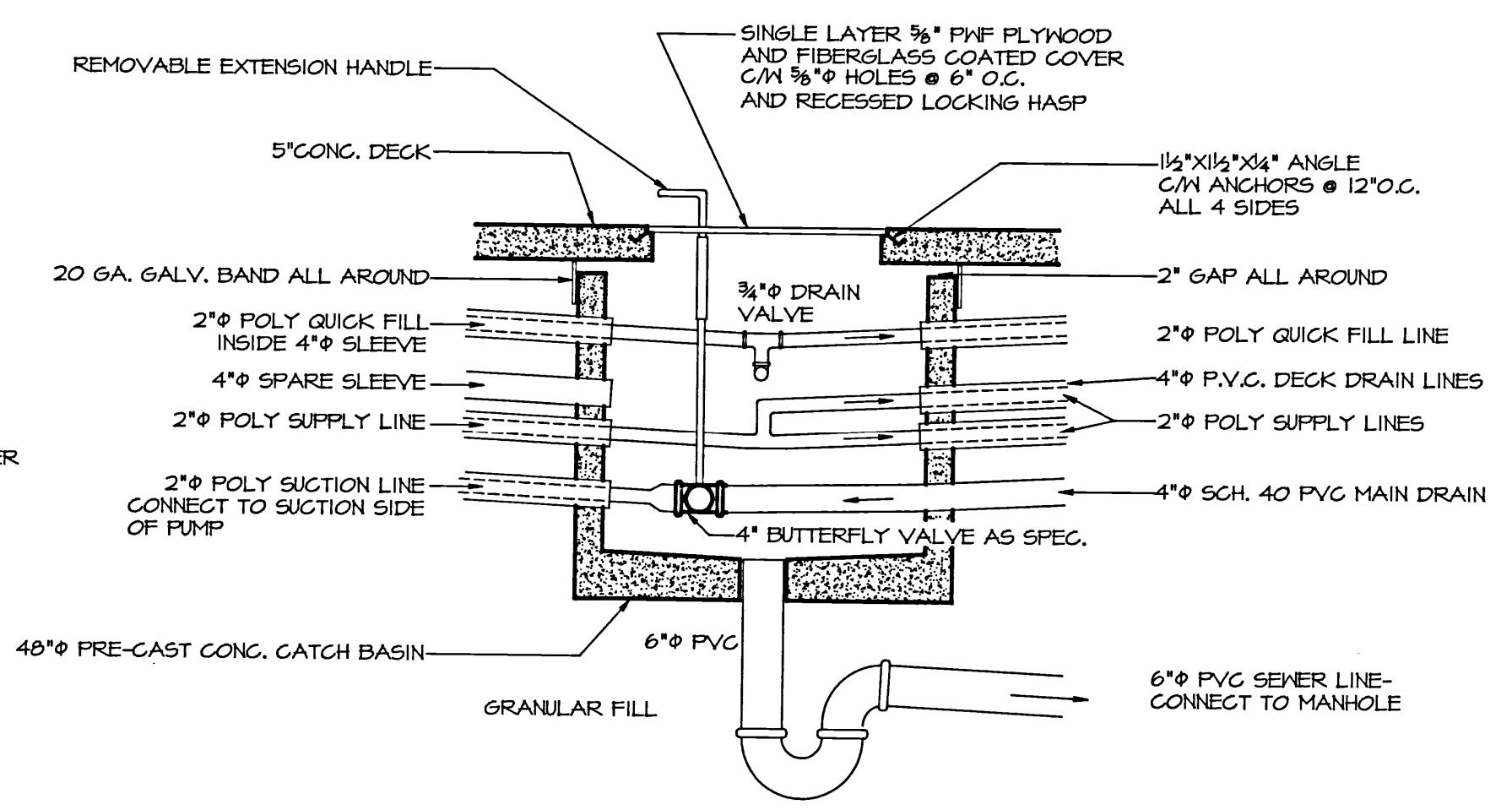
2 2 MAIN DRAIN SECTION SCALE: 1/2"=1'-0"



ELECTRICAL GROUNDING SCHEME

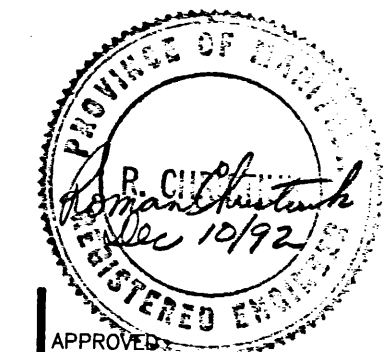


3 2 SECTION - TOT RAMP SCALE: NONE



4 2 CATCH BASIN SECTION SCALE: NONE

NO.	REVISION/DESCRIPTION	BY	DATE
2	GENERAL REVISIONS		ROH 12/92
1	REINFORCING STEEL REVISION		ROH 12/92



DRAWN BY RDH CHECKED BY USER APPROVAL APPROVED DATE SEPT. 92

THE CITY OF WINNIPEG CIVIC PROPERTIES DEPARTMENT 400-180 KING ST. R3B 3G8

PROJECT WEST KILDONAN C.C. WADING POOL 346 PERTH AVE.

SHEET TITLE		
POOL SECTIONS		
SCALE AS SHOWN	PROJECT NO. 92-302	SHEET NO. 2
		0346PE02