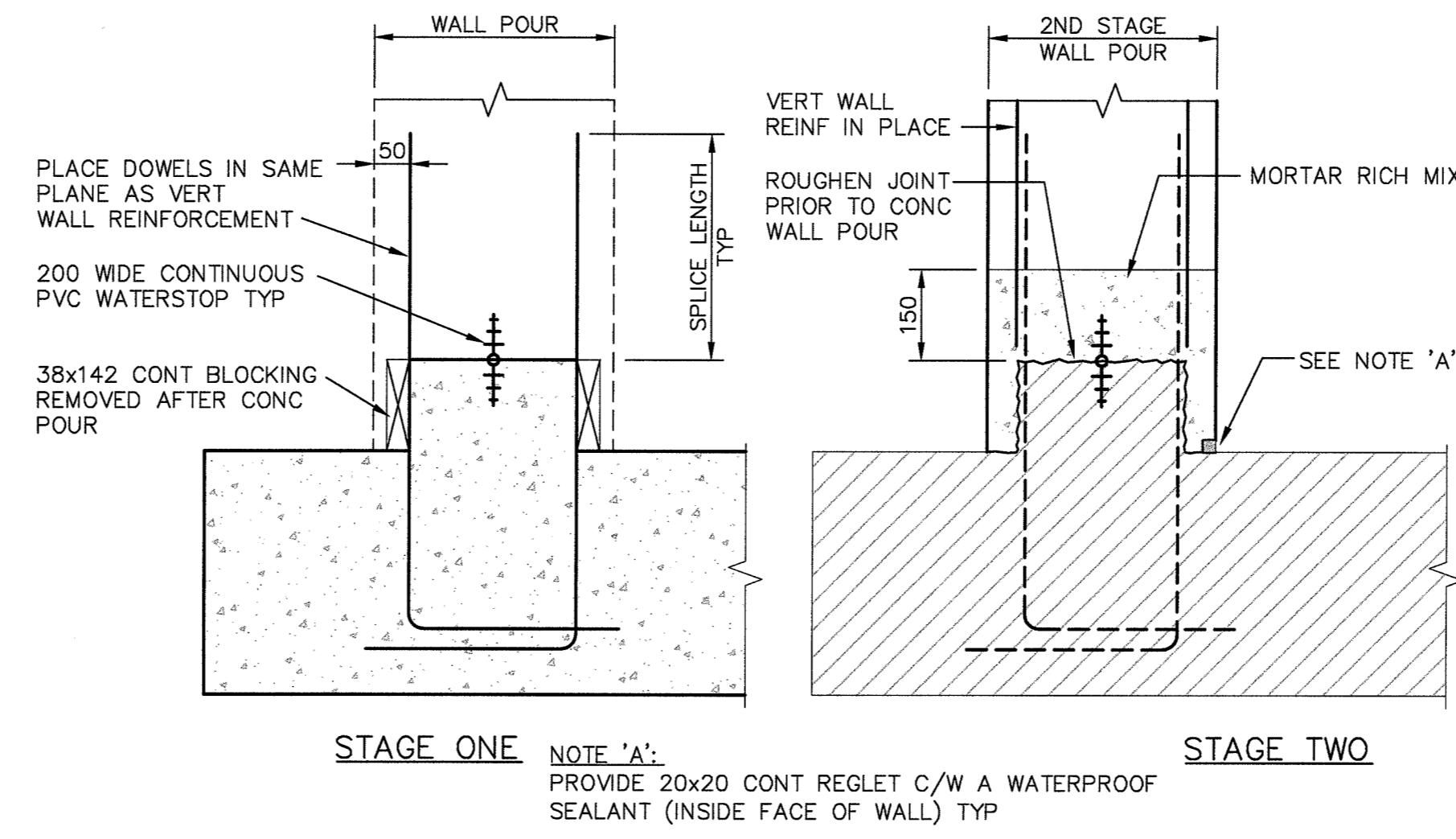
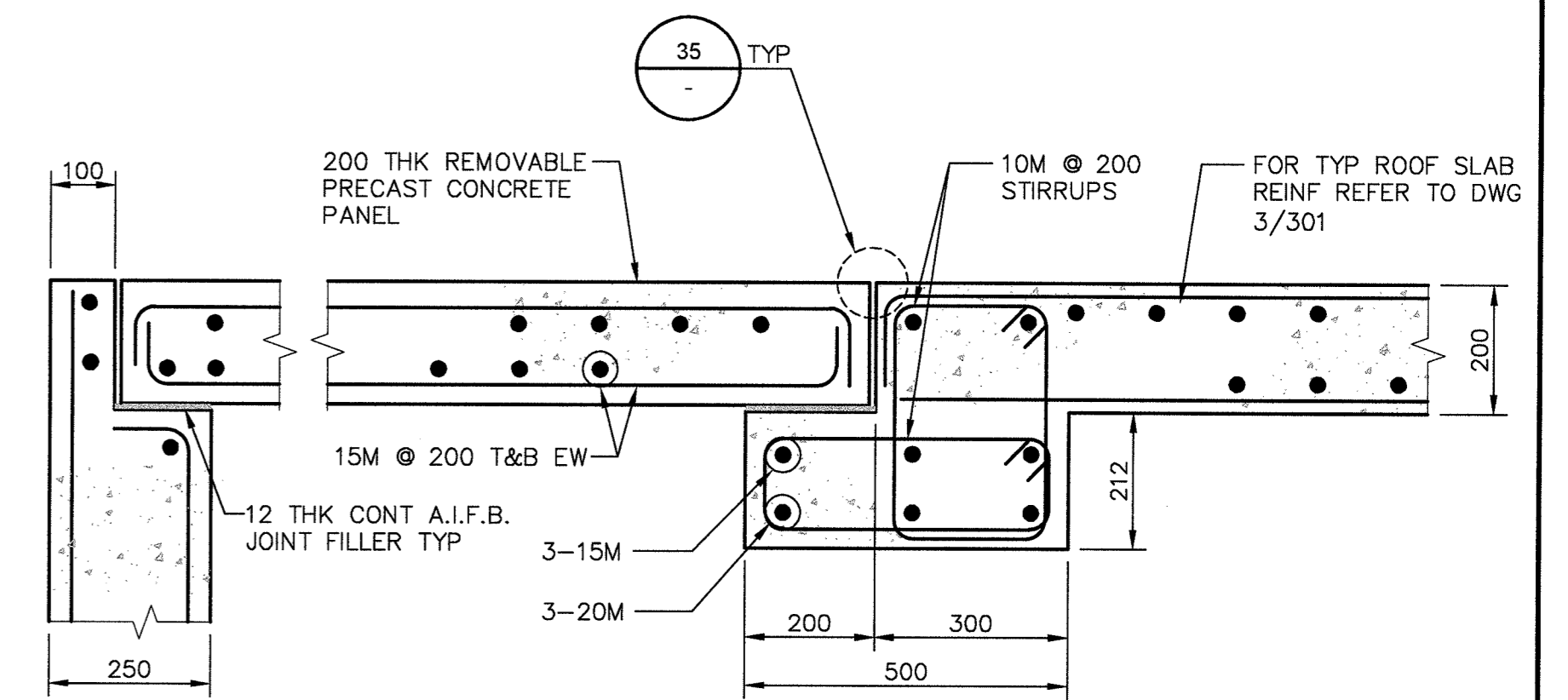


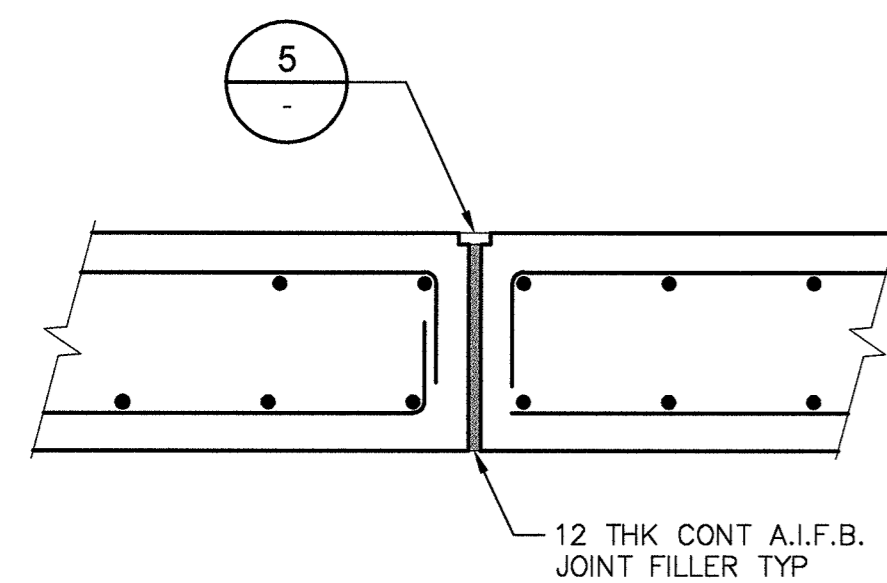
1 DETAIL N.T.S.  
REINF AROUND OPENINGS



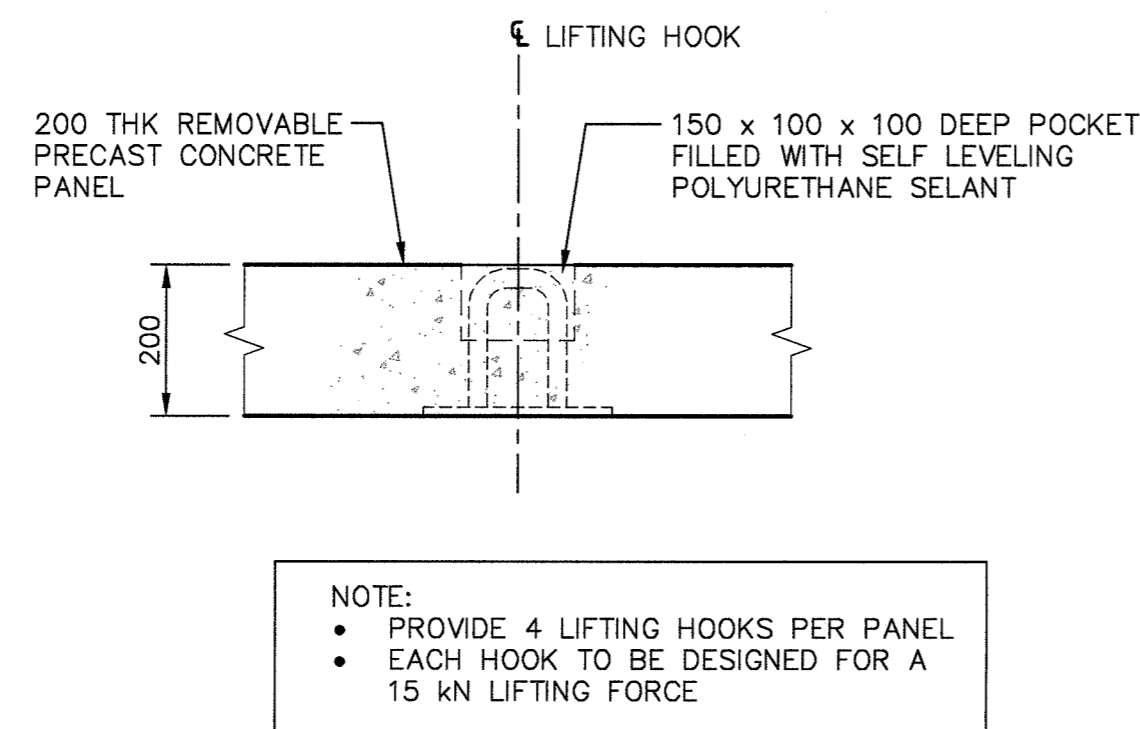
2 DETAIL N.T.S.  
TYP WATERSTOP



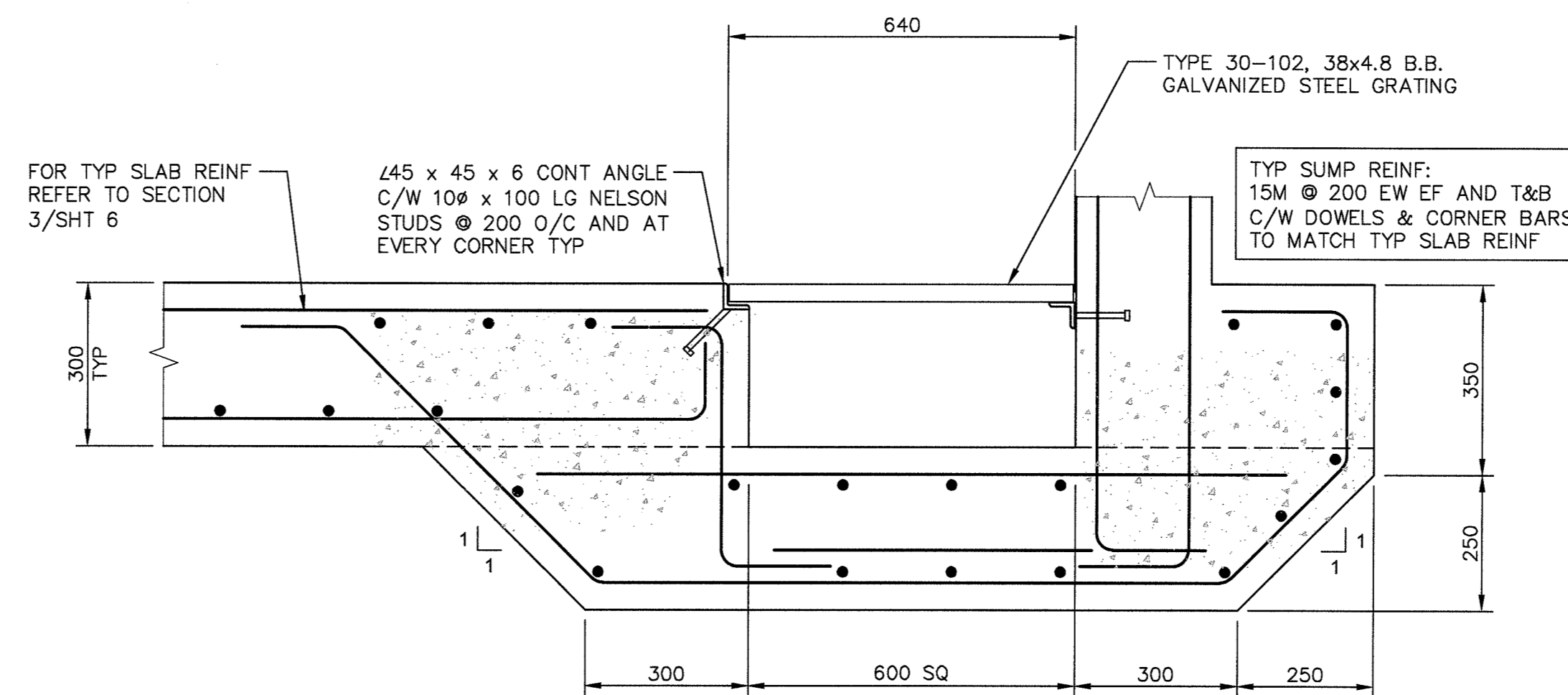
3 DETAIL 1:10  
ROOF SLAB



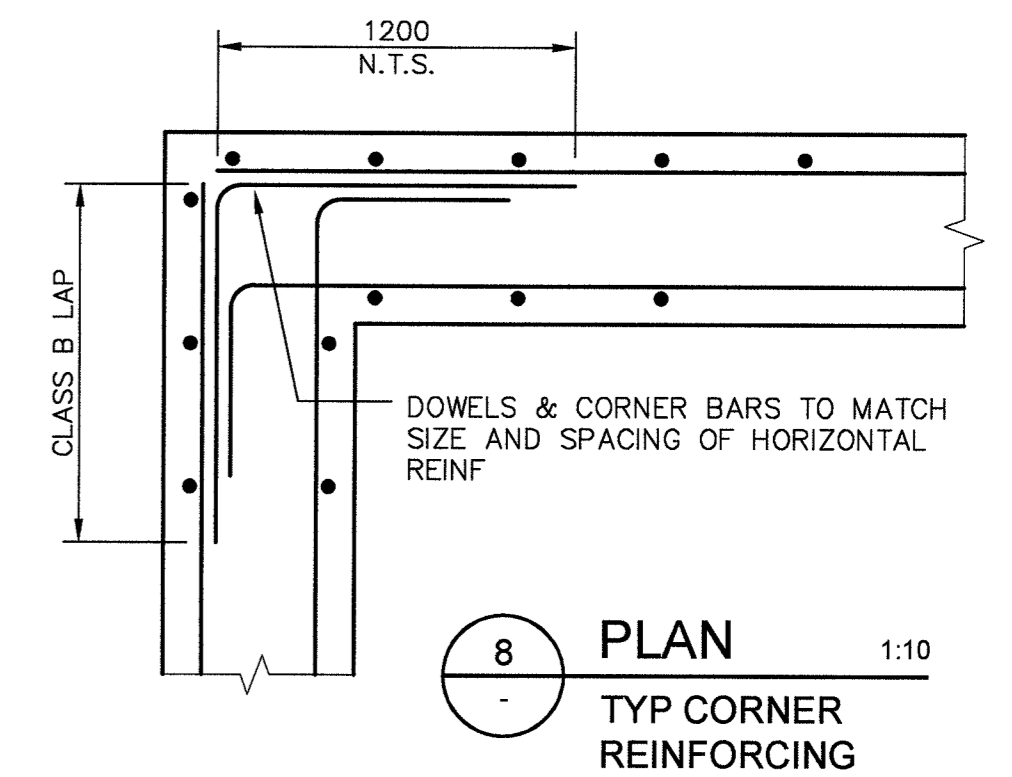
4 SECTION N.T.S.  
ISOLATION JOINT



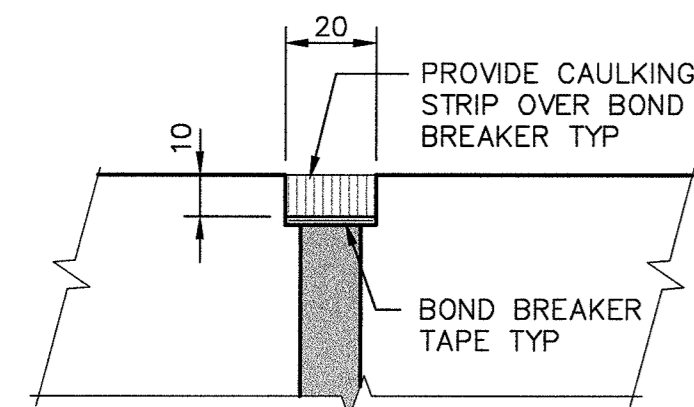
6 DETAIL 1:10  
REMOVABLE ROOF PANEL LIFTING HOOKS



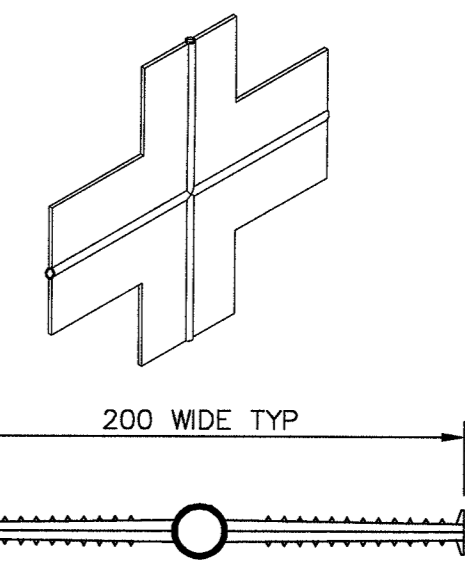
7 DETAIL 1:10  
TYP SUMP



8 PLAN 1:10  
TYP CORNER REINFORCING

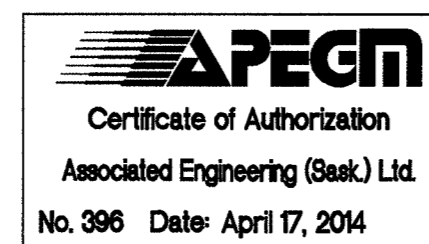


5 DETAIL N.T.S.  
CAULKING REGLET



NOTE: ACCURATELY PLACE ALL WATERSTOPS BEFORE CONCRETE POURS. CORNERS AND JUNCTIONS SHALL BE PRE-MANUFACTURED.  
9 DETAIL N.T.S.  
TYP WATERSTOP

MATERIAL LIST			
ITEM	DESCRIPTION	QUANTITY	SIZE
01	750 x 200 PRECAST MH RISER C/W 100 POLYURETHANE PRE-INSULATION	2	N/A
02	750 x 150 PRECAST MH RISER C/W 100 POLYURETHANE PRE-INSULATION	2	N/A
03	STD CITY OF WINNIPEG MH FRAME AND SOLID COVER	2	N/A
04	PIPE ANCHOR FOR 600Ø PIPE	4	N/A
05	STEEL LADDER	2	N/A
06	LIFTING HOOKS	8	N/A



LOCATION APPROVED UNDERGROUND STRUCTURES		B.M. ELEV.
CONSTRUCTION COMPLETION DATE: YYYY MM DD		
SUPV. U/G STRUCTURES COMMITTEE	DATE	
NOTE: LOCATION OF UNDERGROUND STRUCTURES AS SHOWN ARE BASED ON THE BEST INFORMATION AVAILABLE BUT NO GUARANTEE IS GIVEN THAT ALL EXISTING UTILITIES ARE SHOWN OR THAT THE GIVEN LOCATIONS ARE EXACT. CONFIRMATION OF EXISTENCE AND EXACT LOCATION OF ALL SERVICES MUST BE OBTAINED FROM THE INDIVIDUAL UTILITIES BEFORE PROCEEDING WITH CONSTRUCTION.		
DESIGNED BY	KD	CHECKED BY TA
DRAWN BY	LP	APPROVED BY JL
SCALE:	HORIZONTAL AS SHOWN	
	VERTICAL AS SHOWN	
ISSUED FOR TENDER	14-APR-17	MJ
NO.	REVISIONS	DATE BY

**Associated Engineering**

ENGINEER'S SEAL

DESIGNED BY: KD  
CHECKED BY: TA  
DRAWN BY: LP  
APPROVED BY: JL

SCALE: HORIZONTAL AS SHOWN, VERTICAL AS SHOWN

RELEASED FOR CONSTRUCTION

CONSULTANT DRAWING NUMBER: 20134376

PLOT DATE: 2014 04 16

PROVINCE OF MANITOBA  
REGISTERED PROFESSIONAL ENGINEER  
Member 34155

**THE CITY OF WINNIPEG**  
WATER AND WASTE DEPARTMENT  
ENGINEERING DIVISION

NORTH KILDONAN FEEDERMAIN VALVE CHAMBER DETAILS

DETAIL SHEET 1

SHEET 7 OF 8  
CITY DRAWING NUMBER: D-13513