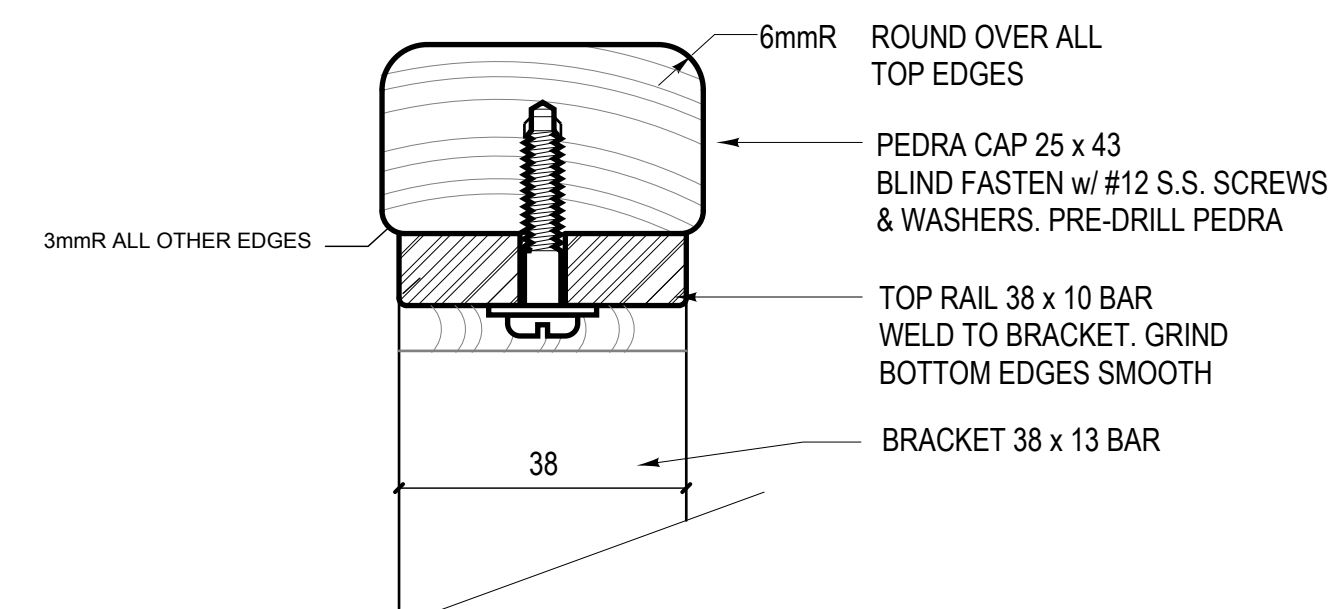
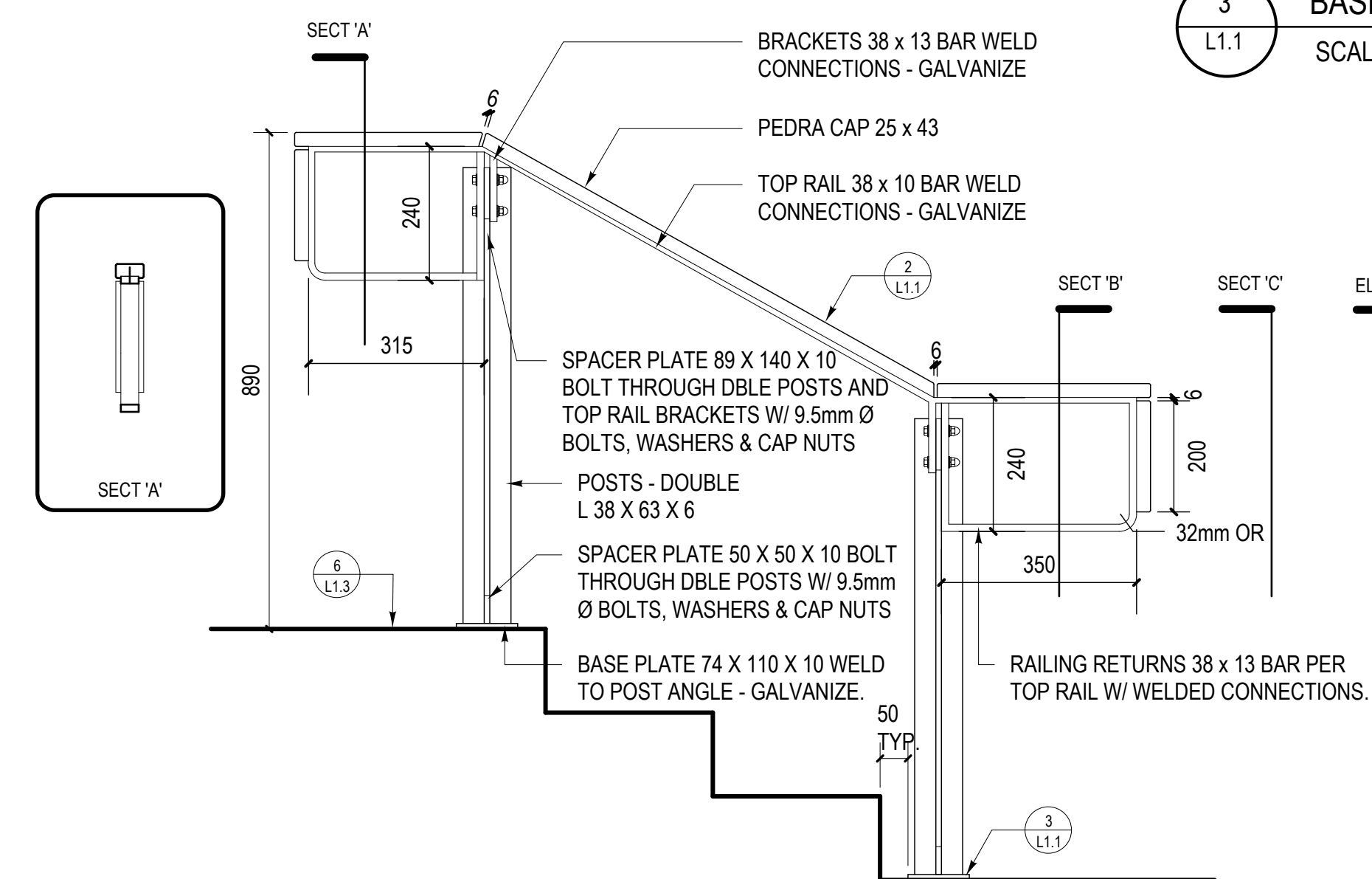


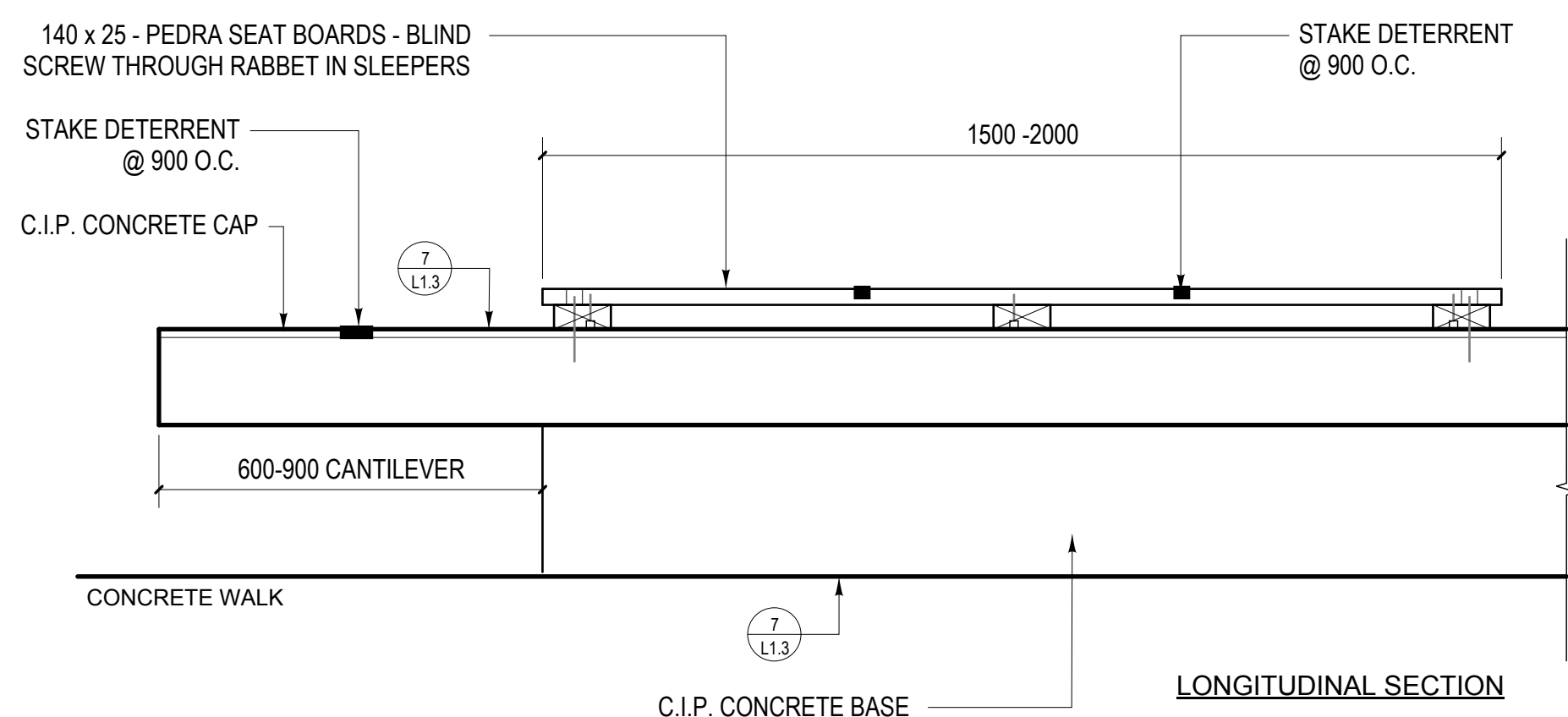
1 ENLARGED CORNER RAIL PLAN
SCALE 1:30



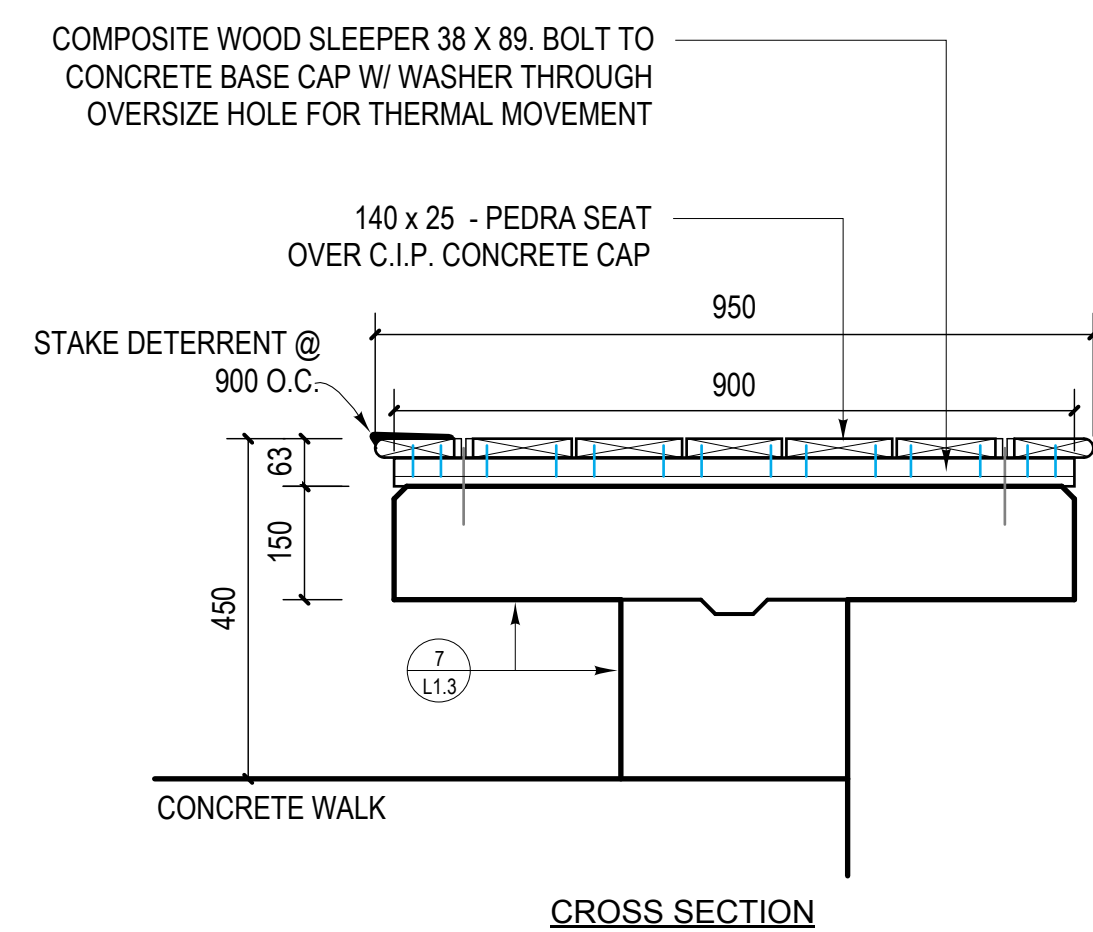
2 HANDRAIL SECTION
SCALE 1:1



4 HANDRAIL DETAIL
SCALE 1:10



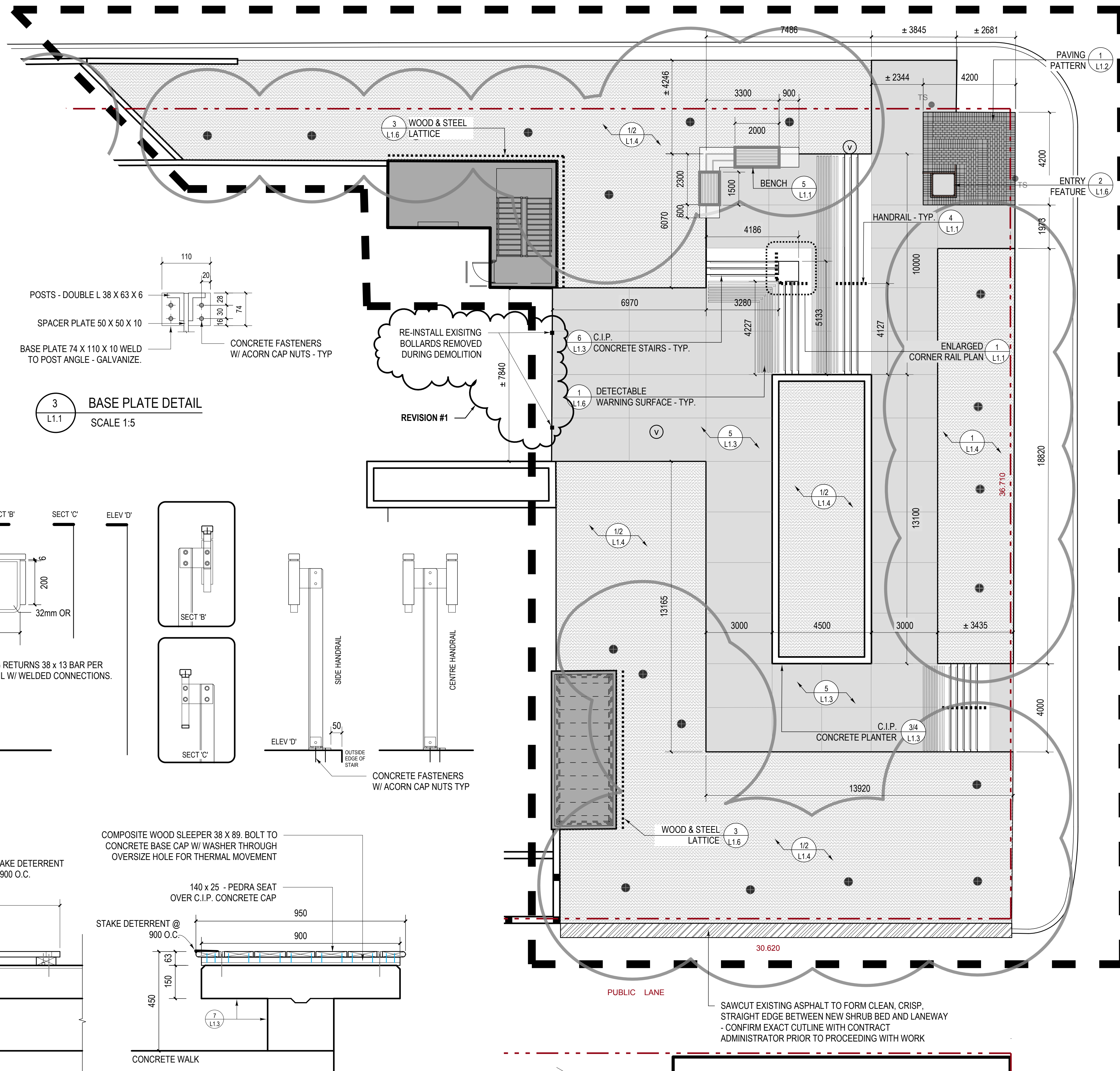
5 BENCH DETAIL
SCALE 1:10



6 LAYOUT & MATERIALS PLAN
SCALE 1:100

LAYOUT NOTES

1. STAKE OUT LOCATION OF WALLS, STAIRS AND EDGES FOR CONTRACT ADMINISTRATOR APPROVAL PRIOR TO PROCEEDING WITH FORMWORK.
2. ENSURE THE LOCATION OF ALL EXISTING SERVICES BOTH OLD AND RECENTLY INSTALLED ARE CLEARLY LOCATED ON SITE PRIOR TO CONSTRUCTION. THE CONTRACTOR WILL BE RESPONSIBLE FOR REPAIRING ALL DAMAGE CAUSED TO SERVICES DURING LANDSCAPE CONSTRUCTION.
3. ALL DIMENSIONS ARE IN MILLIMETRES UNLESS OTHERWISE SPECIFIED.
4. SEE GRADING PLAN L1.2 FOR ELEVATIONS AND SLOPES.



NOTES

LEGEND

- C.I.P. CONCRETE PAVING
- UNIT PAVERS
- SHRUB BED
- BENCH SEAT
- C.I.P. CONCRETE BENCH
- HANDRAIL
- ENTRY FEATURE
- EXISTING TRAFFIC STANDARD
- EXISTING TREES
- DETECTABLE WARNING SURFACE

2 - ISSUED FOR ADDENDUM #1	JULY 7, 2014
1 - ISSUED FOR TENDER	JUNE 16, 2014
ISSUE NOTES	DATE

THIS DRAWING MUST NOT BE SCALED.
THE GENERAL CONTRACTOR SHALL VERIFY ALL DIMENSIONS, DATUMS AND LEVELS PRIOR TO COMMENCEMENT OF WORK. ALL ERRORS AND OMISSIONS TO BE REPORTED IMMEDIATELY TO THE LANDSCAPE ARCHITECT.
VARIATIONS & MODIFICATIONS TO WORK SHOWN ON THESE DRAWINGS SHALL NOT BE CARRIED OUT WITHOUT WRITTEN PERMISSION FROM THE LANDSCAPE ARCHITECT.
THIS DRAWING IS THE EXCLUSIVE PROPERTY OF THE LANDSCAPE ARCHITECTS AND CAN BE REPRODUCED ONLY WITH THE PERMISSION OF THE LANDSCAPE ARCHITECTS. IN WHICH CASE THE REPRODUCTION MUST BEAR THEIR NAME AS LANDSCAPE ARCHITECTS.

PROFESSIONAL SEALS



PROJECT TITLE
**MILLENNIUM LIBRARY PARK
PHASE TWO
- ST MARY & SMITH ENTRANCE**
WINNIPEG, MANITOBA

SHEET TITLE
**LAYOUT AND MATERIALS
PLAN & DETAILS**

DRAWN RG	REVIEWED MG	DRAWING NO. L1.1
SCALE AS NOTED	PROJECT No. 14-020	
DATE PRINTED 11:40 AM Mon, Jul 7, 2014		

PRELIMINARY - NOT FOR CONSTRUCTION