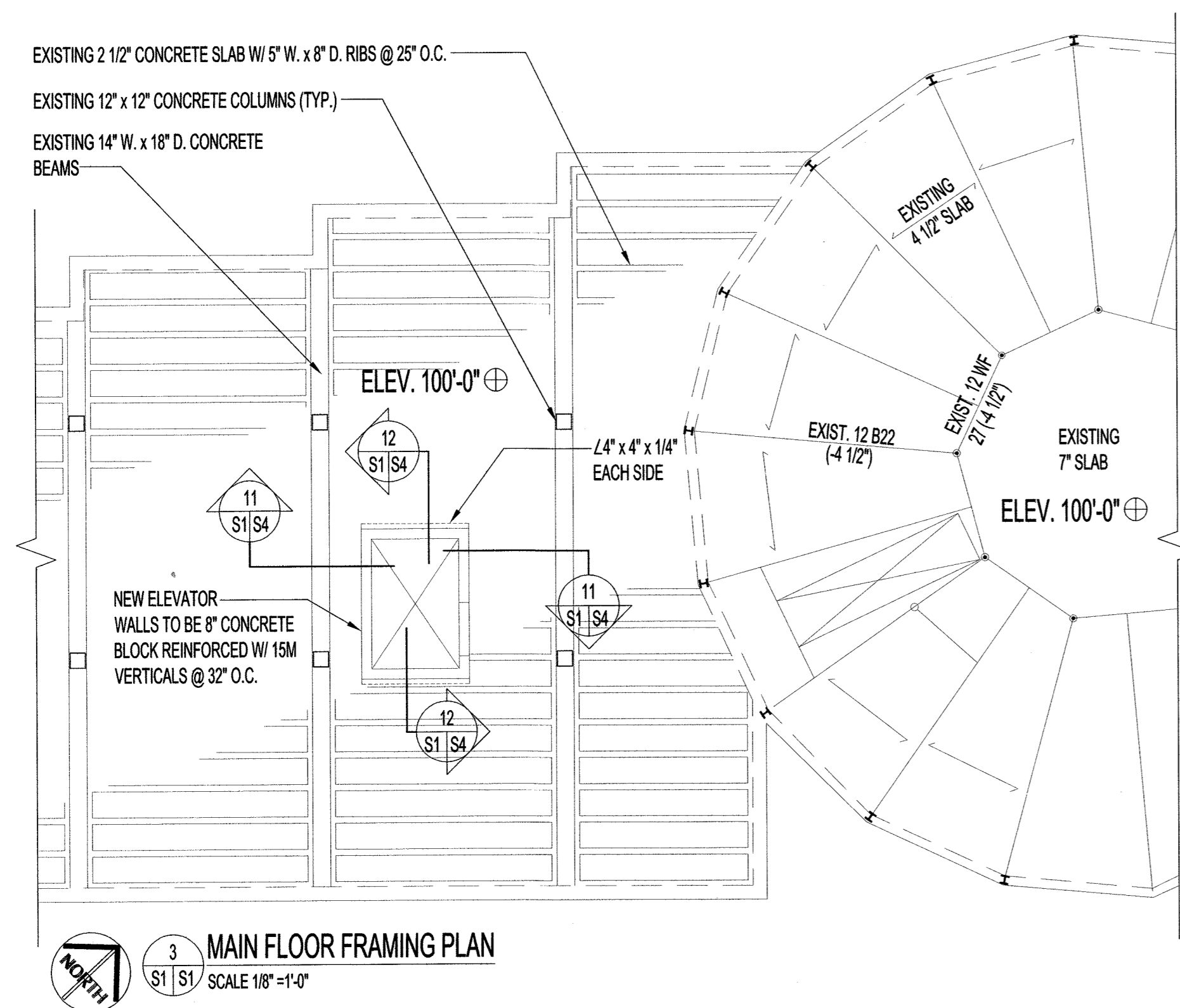
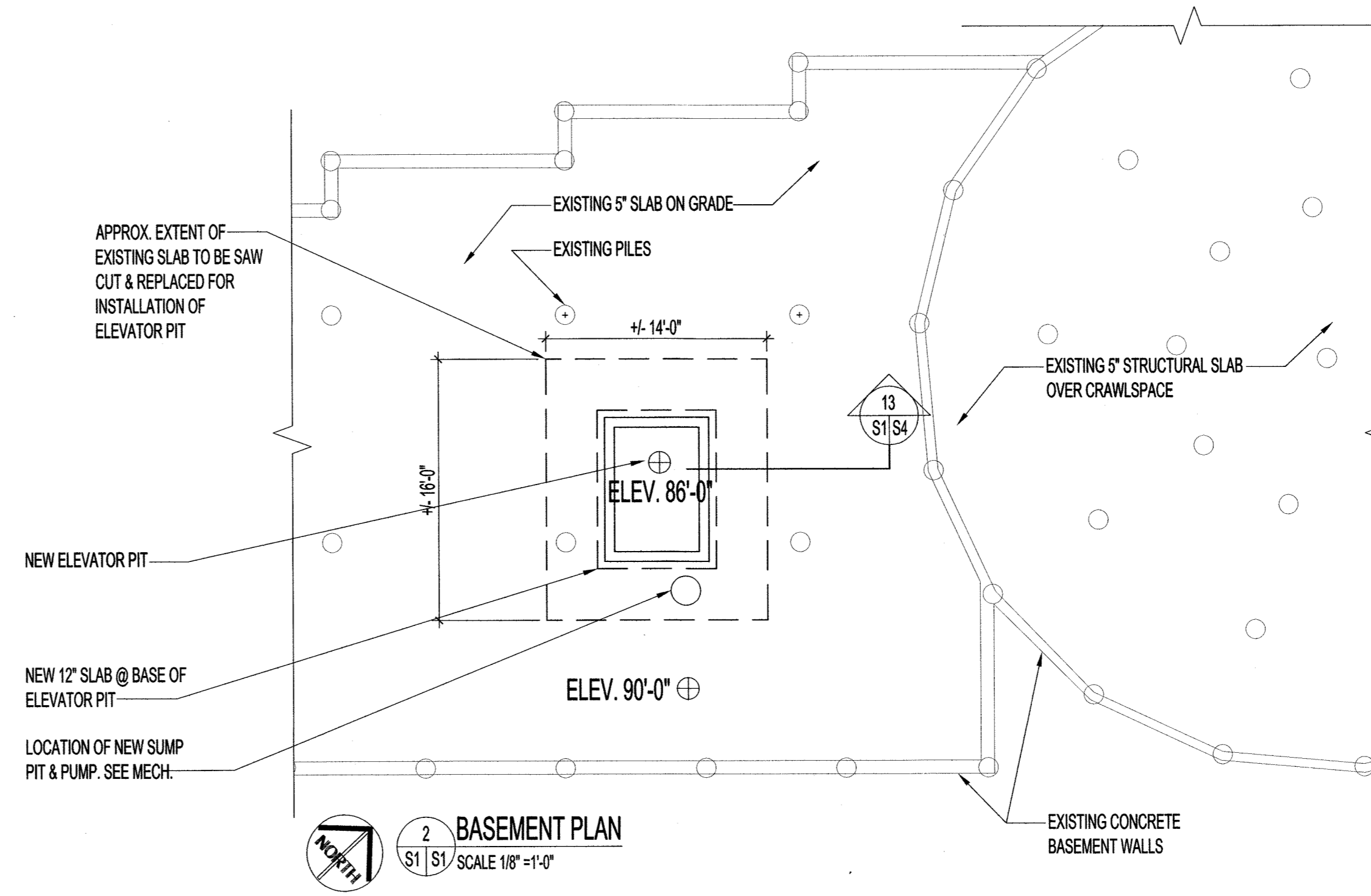
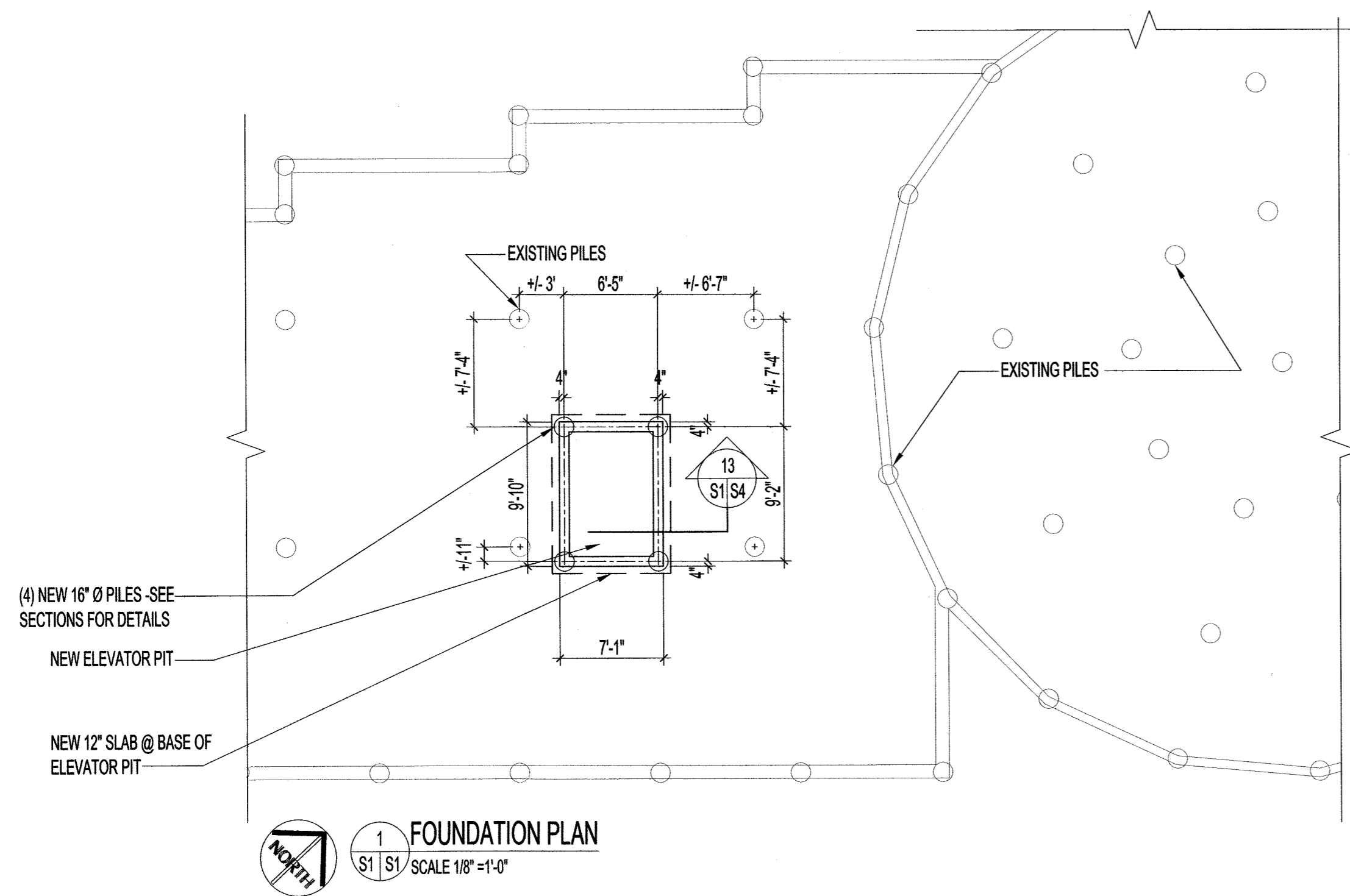
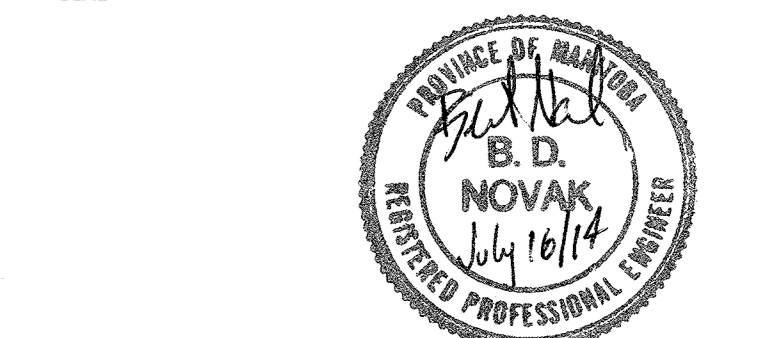


NOTES:

DRAWING LIST	
SHEET No:	SHEET TITLE
S1	FOUNDATION & FRAMING PLANS
S2	FRAMING PLANS
S3	STRUCTURAL DETAILS
S4	STRUCTURAL DETAILS
S5	SPECIFICATIONS



No.	REVISION/DESCRIPTION	BY	DATE



DRAWN	CHECKED	DESIGNED	APPROVED
MMK			
DATE: 2014.07.11	USER APPROVAL		

THE CITY OF WINNIPEG
 PLANNING, PROPERTY AND
 DEVELOPMENT DEPARTMENT
 MUNICIPAL ACCOMMODATIONS DIVISION
 3-65 GARRY STREET, R3C 4K4

PROJECT
 ST. VITAL LIBRARY
 NEW ELEVATOR INSTALLATION

6 FERMOR AVENUE
 SHEET TITLE
 FOUNDATION & FRAMING PLANS

SCALE	PROJECT No:	SHEET No:
AS SHOWN		S1