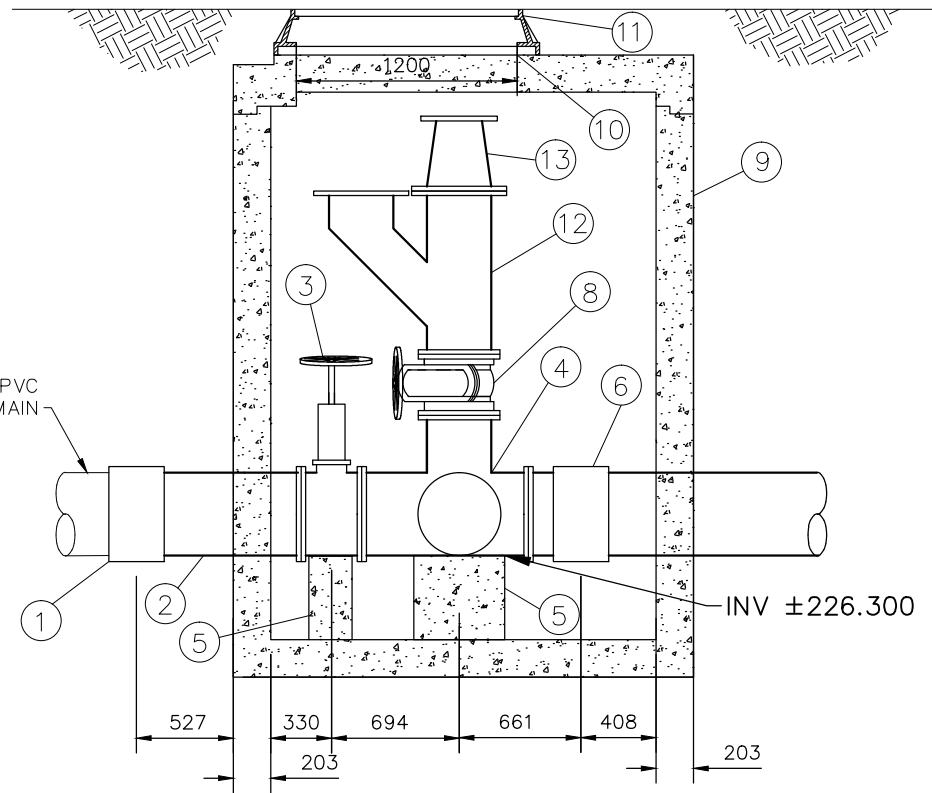
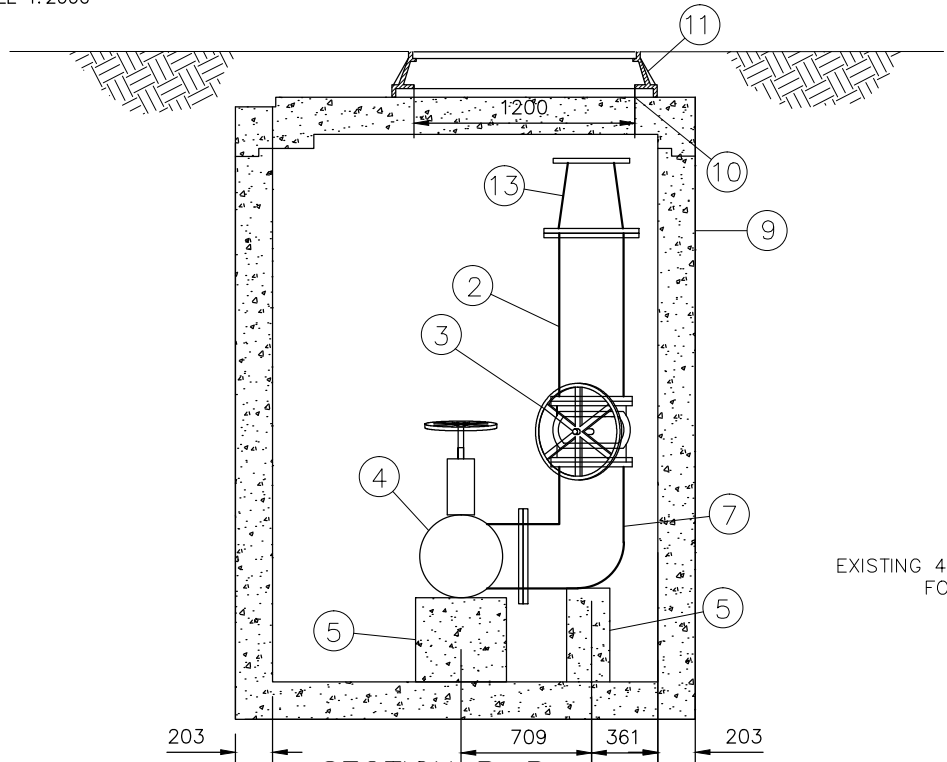


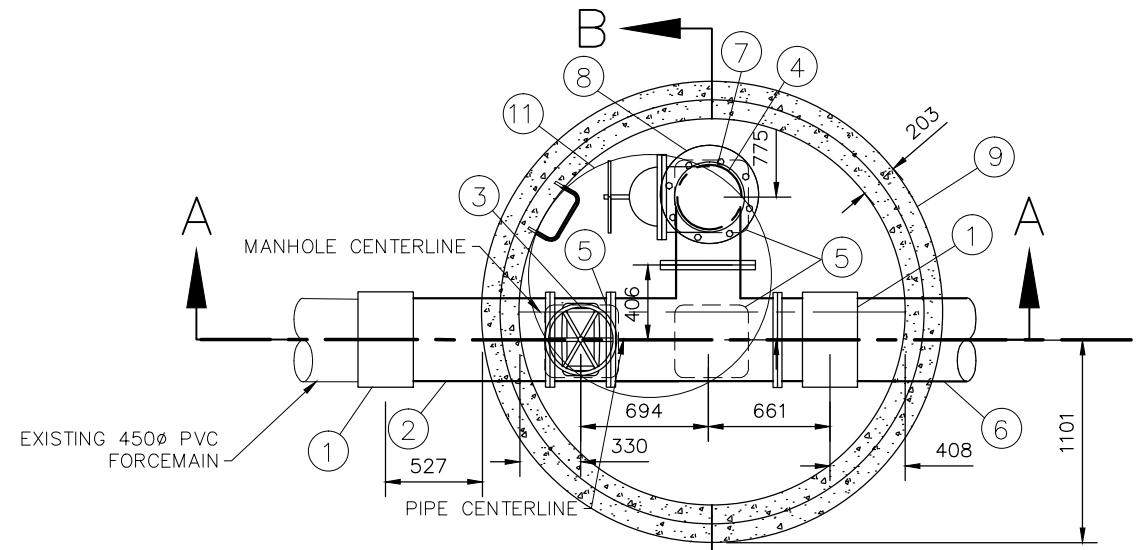
**PLAN VIEW**  
SCALE 1:2000



**SECTION A-A**  
SCALE 1:40



**SECTION B-B**  
SCALE 1:40



**PLAN VIEW OF MH AT ±226.300**  
SCALE 1:40

**MATERIALS LIST**

ITEM	DESCRIPTION	ENDS	LENGTH	QUANTITY
1	450 COUPLING	-	-	2
2	450Ø D.I. SPOOL	FL X PE	0.9	1
3	450Ø GATE VALVE - RISING STEM	FL X FL	-	1
4	450X450X350 C.I. TEE	-	-	1
5	CONCRETE SUPPORT	-	-	1
6	450Ø D.I. SPOOL	FL X PE	0.3	1
7	90-450Ø BEND	-	-	1
8	350 GATE VALVE (W/ BLIND FLANGE)	FL X FL	-	1
9	2100 CONCRETE MANHOLE	-	-	1
10	2100X1200 REDUCER	-	-	1
11	TITAN TF48 1200 MANHOLE F&C	-	-	1
12	350 WYE	-	-	1
13	350-250 REDUCER	-	-	1

**LOCATION APPROVED UNDERGROUND STRUCTURES**

SUPV. U/G STRUCTURES COMMITTEE	DATE

NOTE:  
LOCATION OF UNDERGROUND STRUCTURES AS SHOWN ARE BASED ON THE BEST INFORMATION AVAILABLE BUT NO GUARANTEE IS GIVEN THAT ALL EXISTING UTILITIES ARE SHOWN OR THAT THE GIVEN LOCATIONS ARE EXACT. CONFIRMATION OF EXISTENCE AND EXACT LOCATION OF ALL SERVICES MUST BE OBTAINED FROM THE INDIVIDUAL UTILITIES BEFORE PROCEEDING WITH CONSTRUCTION.

NO.	REVISIONS	DATE	BY

B.M. ELEV.			

DESIGNED BY	<b>DEB</b>	CHECKED BY	<b>SC</b>
DRAWN BY	<b>RS</b>	APPROVED BY	<b>KZ</b>
SCALE: HORIZONTAL VERTICAL	<b>AS SHOWN AS SHOWN</b>	RELEASED FOR CONSTRUCTION	
DATE	<b>2019 01 14</b>	DATE	

ENGINEER'S SEAL

CONSULTANT DRAWING NUMBER

-

**THE CITY OF WINNIPEG**  
WATER AND WASTE DEPARTMENT  
ENGINEERING DIVISION

**2018 BYPASS PUMPING ASSEMBLY AND MANHOLE INSTALLATION**  
**BALTIMORE FORCE MAIN**  
KINGSTON ROW TO CHURCHILL DRIVE

SHEET 1 OF 1  
CITY DRAWING NUMBER  
1-0117L-M0001-001

FILE PATH: R:\DRAWINGS\SEWER\2018 RENEWALS\ST VITAL FORCEMAIN\CONSTRUCTION DWG\  
FILE NAME: ST VITAL FORCEMAIN.dwg