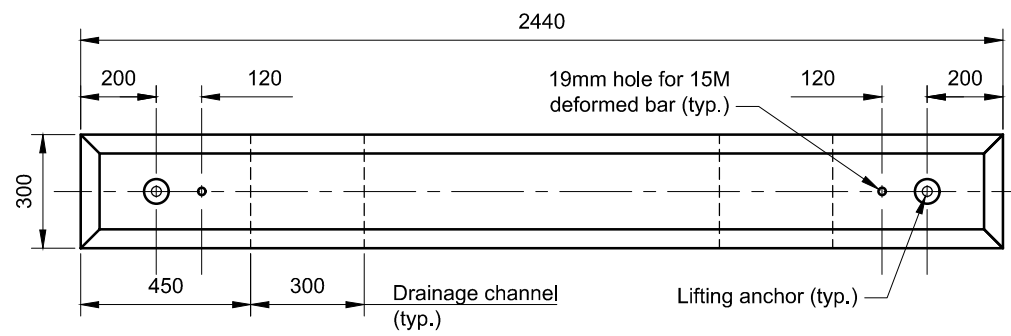
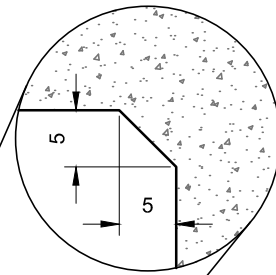


V:\Transportation Planning Drafting\01 - T\Final\T-3450\T-3478 Adjustable Curb and End Unit.dwg

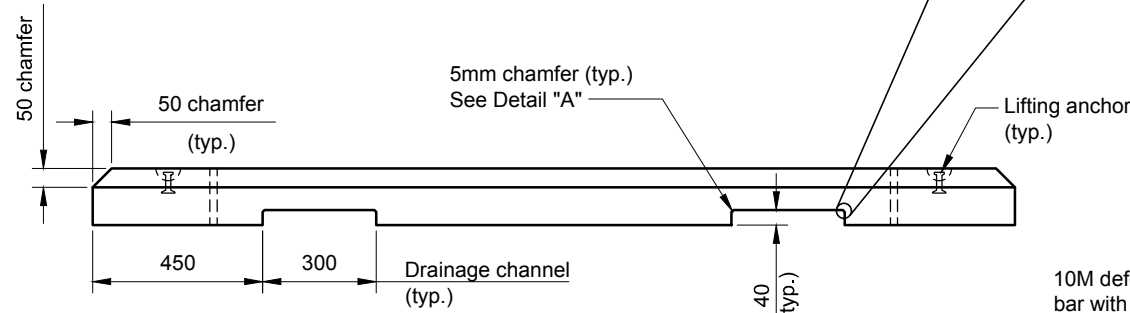


Plan

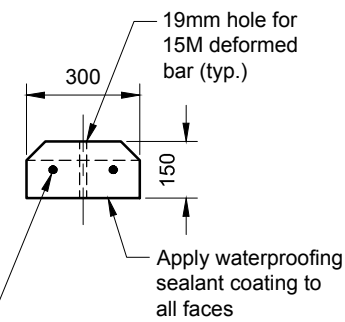


Detail "A"

N.T.S.
Typical at drainage channel locations

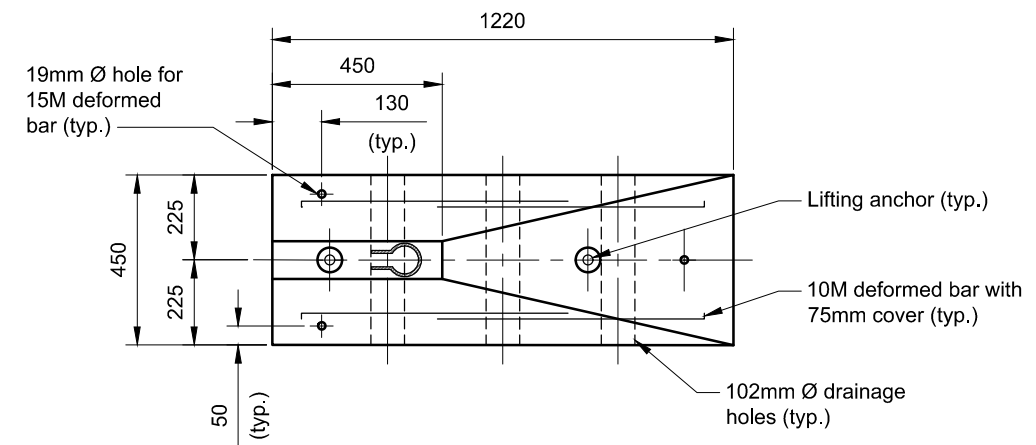


Elevation

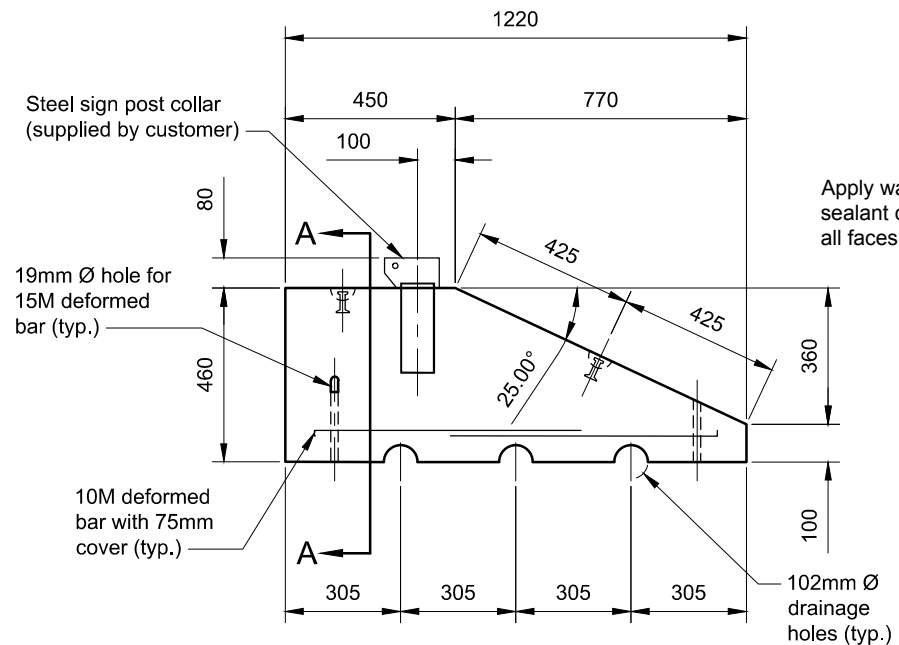


Section

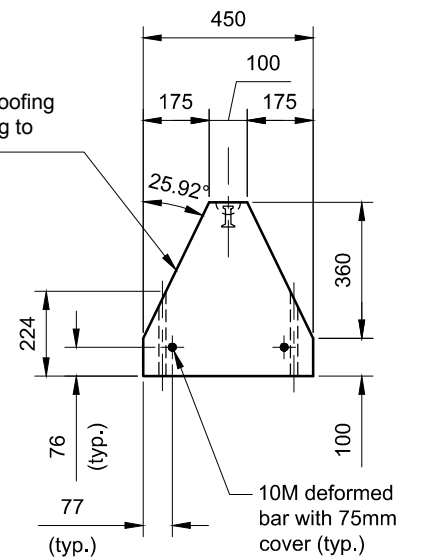
ADJUSTABLE CURB



Plan



Elevation



Section A-A

ADJUSTABLE CURB END UNIT

PRELIMINARY

NOT TO BE USED FOR
CONSTRUCTION



THE CITY OF WINNIPEG
PUBLIC WORKS DEPARTMENT
TRANSPORTATION DIVISION

DESIGNED BY MRD

DRAWN BY MLA

DATE 2018-06-29

SCALE 1:20

**Adjustable Curb and End Unit
Details**

SHEET 1 OF 1

CITY DRAWING NUMBER:
T-3478