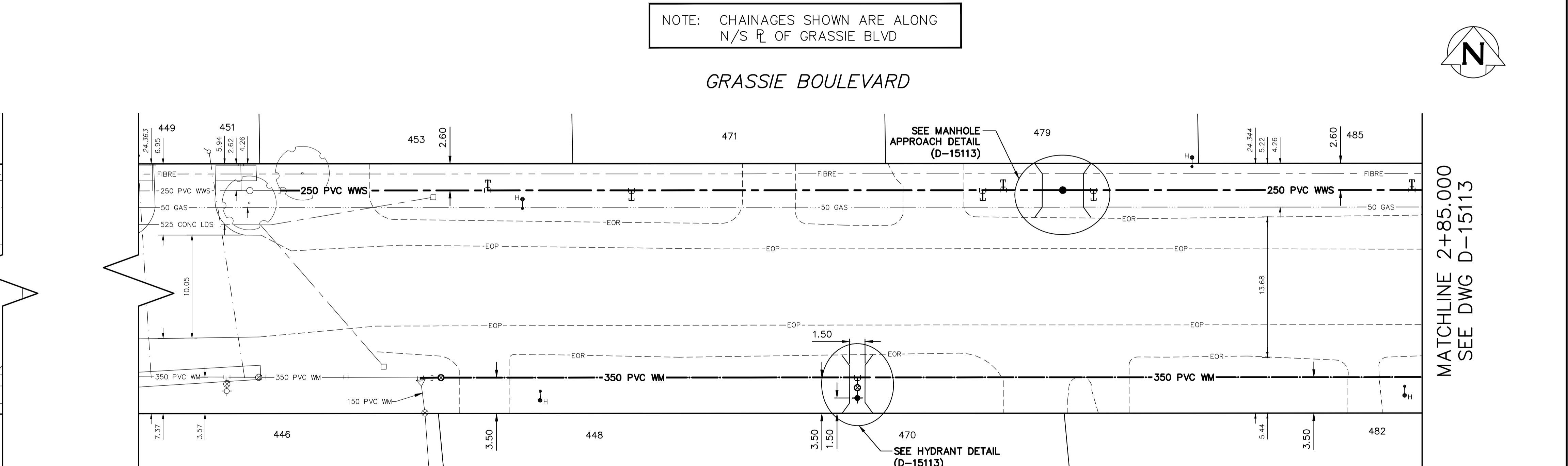
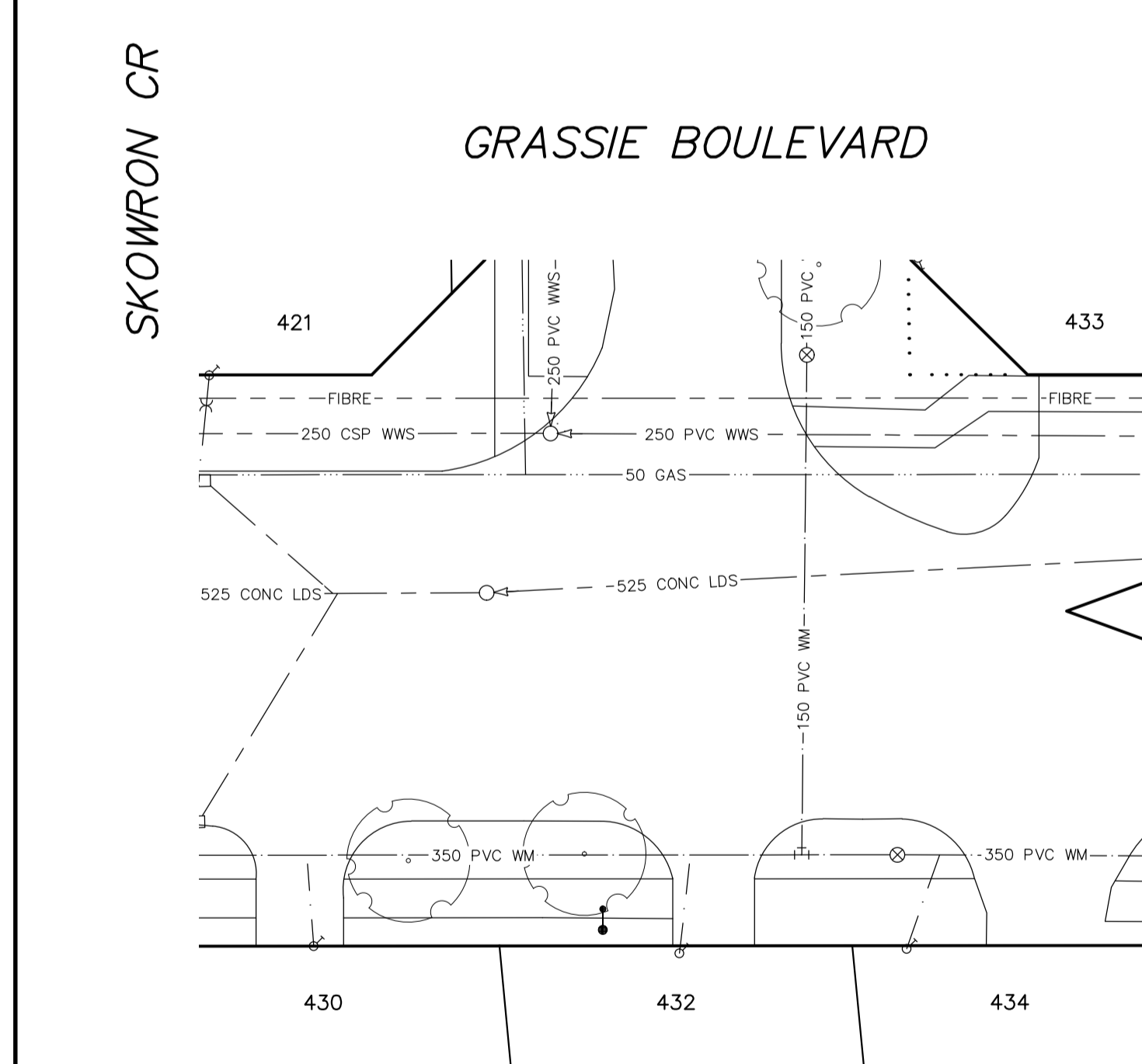


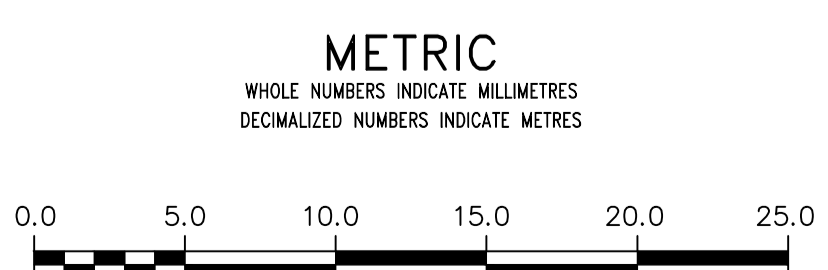
NOTE: CHAINAGES SHOWN ARE ALONG N/S R OF GRASSIE BLVD



MATCHLINE 2+85.000
SEE DWG D-15113

NOTE: ALL VALVES TO BE INSTALLED CLOCKWISE TO CLOSE

FOR INDEX SEE D-15111



LOCATION APPROVED UNDERGROUND STRUCTURES

SUPV. U/G STRUCTURES COMMITTEE	DATE

NOTE:
LOCATION OF UNDERGROUND STRUCTURES AS SHOWN ARE BASED ON THE BEST INFORMATION AVAILABLE BUT NO GUARANTEE IS GIVEN THAT ALL EXISTING UTILITIES ARE SHOWN OR THAT THE GIVEN LOCATIONS ARE EXACT. CONFIRMATION OF EXISTENCE AND EXACT LOCATION OF ALL SERVICES MUST BE OBTAINED FROM THE INDIVIDUAL UTILITIES BEFORE PROCEEDING WITH CONSTRUCTION.

B.M. ELEV.	NO.	REVISIONS	DATE	BY

DESIGNED BY	TP	CHECKED BY	SC
DRAWN BY	RS	APPROVED BY	KZ
SCALE:	RELEASED FOR CONSTRUCTION		
HORIZONTAL 1:250	K. ZUREK		
VERTICAL 1:50	DATE 2018 04 30		
DATE 2018 04 30	DATE 2018 04 30		

ENGINEER'S SEAL
ORIGINAL SIGNED BY S.R.J. COURNOYER 18/04/30
CONSULTANT DRAWING NUMBER

THE CITY OF WINNIPEG
WATER AND WASTE DEPARTMENT
ENGINEERING DIVISION

2018 GRASSIE BOULEVARD LOCAL IMPROVEMENTS
GRASSIE BOULEVARD
73 E OF SKOWRON CRESCENT TO 185 E OF SKOWRON CRESCENT

SHEET 3 OF 4
CITY DRAWING NUMBER
D-15112