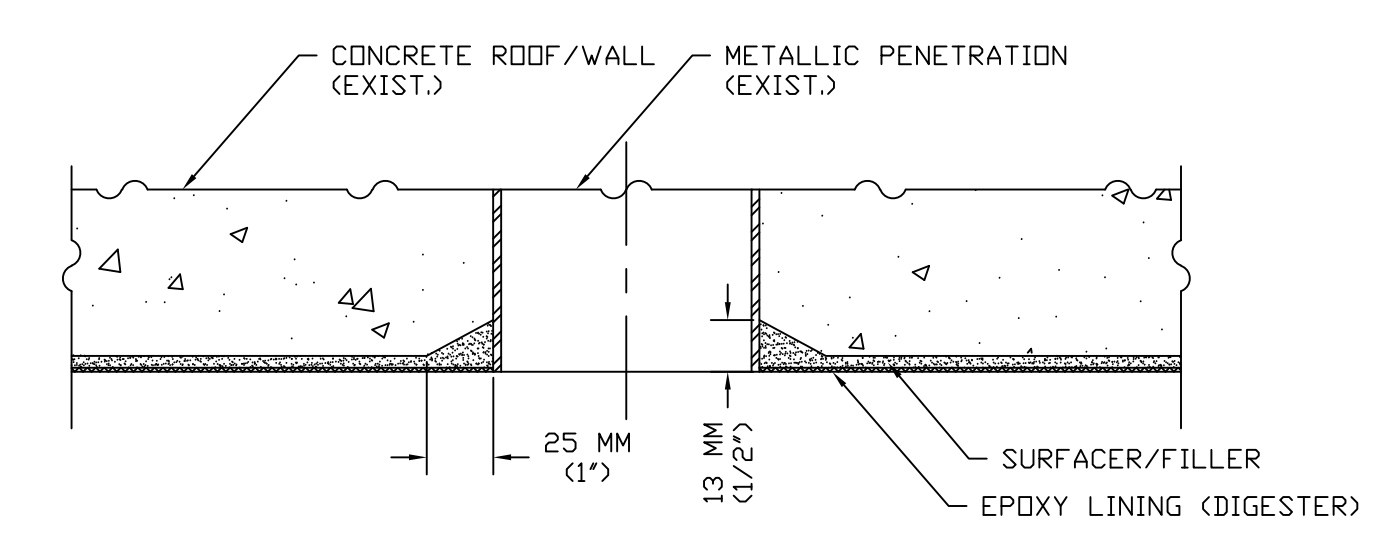
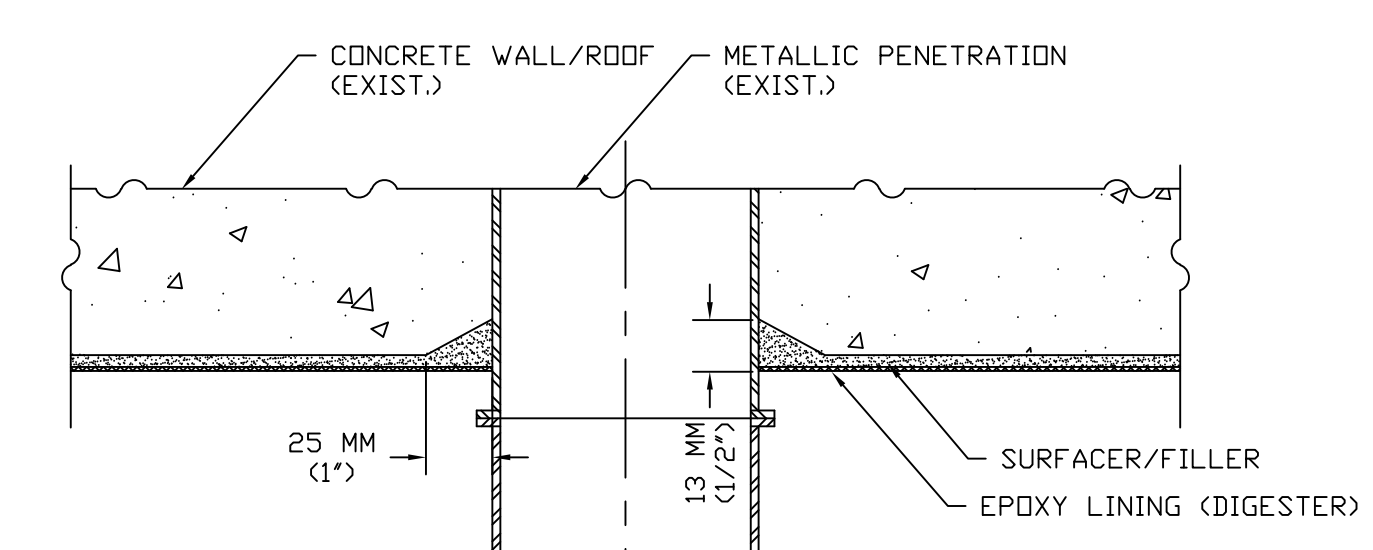


NOTES:
 1. PENETRATION LOCATIONS SHOWN ARE ONLY REPRESENTATIVE OF PENETRATION TYPE. REFER TO EQUIPMENT DRAWINGS FOR ACTUAL LOCATION.
 2. INTERIOR COLUMNS OF THE DIGESTER ARE NOT SHOWN FOR CLARITY.

GENERAL DIGESTER SECTION VIEW
SECTION 1
 NTS



FLUSH ROOF/WALL PENETRATION
SECTION 2
 NTS S101



PROJECTED WALL/ROOF PENETRATION
SECTION 3
 NTS S101

NOTES (SECTIONS 2 AND 3):
 1. SAWCUT AND CHIP OUT CONCRETE AT PERIMETER OF PIPE PENETRATION TO CREATE A REGLET AS SHOWN.
 2. ALL CONCRETE RESIDUE SHALL BE CLEANED FROM IRON/STEEL PENETRATION. ABRASIVE BLAST:
 2.1. FOR SS PENETRATIONS, ABRASIVE BLAST PIPE TO SSPC-SP16.
 2.2. FOR CS PENETRATIONS, ABRASIVE BLAST PIPE TO SSPC-SP5.
 2.3. FOR DUCTILE IRON, ABRASIVE BLAST TO TO NAPF 500-03 (500-03-04)
 2.4. FOR CAST IRON, ABRASIVE BLAST TO NAPF 500-03 (500-03-05)

NUMBER	DATE	MADE BY	CHECKED BY	REVISIONS	DESCRIPTIONS

CORROSION PROBE, INC.

PROJECT NO. VW0030	DESIGN BY SPR	DRAWN BY JLR	CHECK BY SPR
DATE DECEMBER 7, 2018	CADD FILE	SCALE AS NOTED	DRAWING NO. VW0030-S101

DIGESTER 11 NORTH END
 WATER POLLUTION CONTROL CENTRE, WINNIPEG, MB
 CITY OF WINNIPEG

SECTIONS AND DETAILS
 PENETRATIONS AND TERMINATIONS
 EPOXY LINING SYSTEM - I

SHEET NO.
1