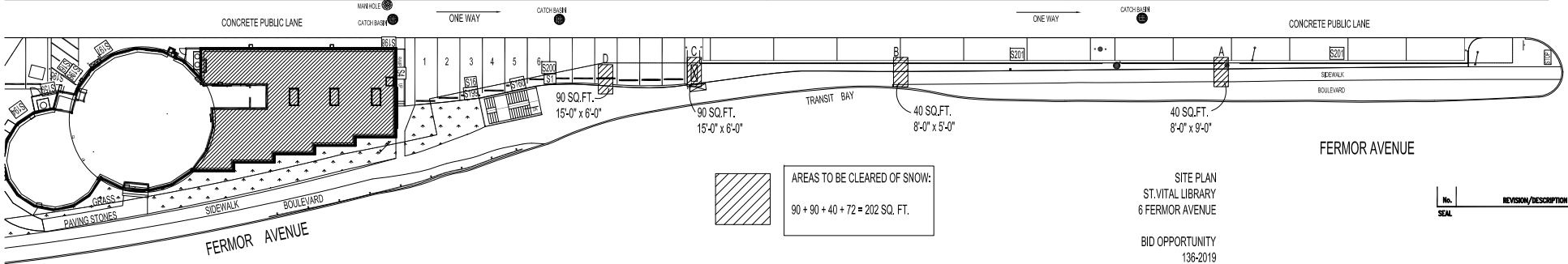
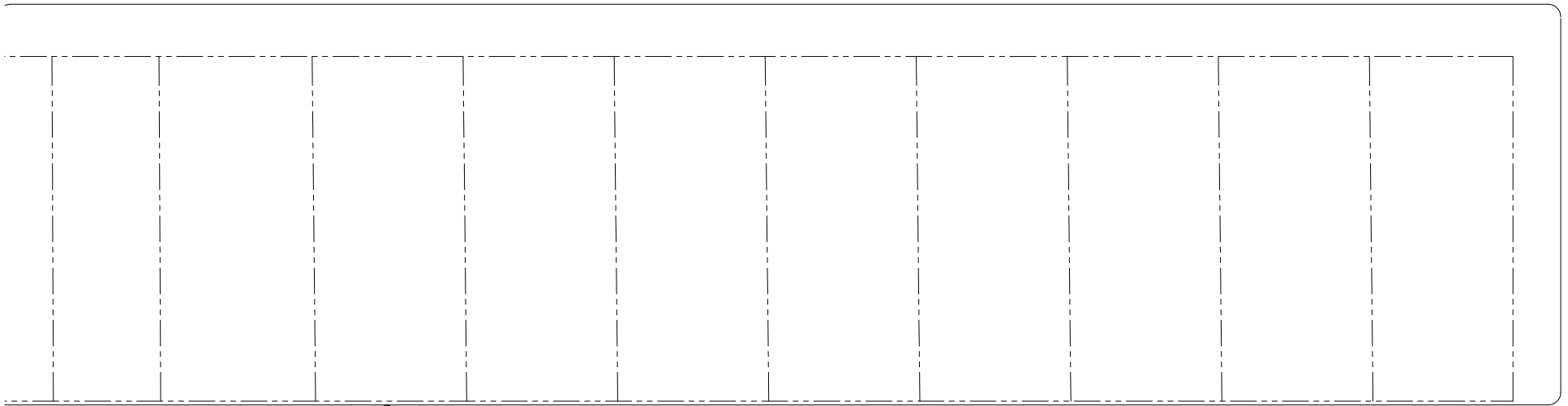


NOTES:

ITEM NO. 14B

ADDRESS: 6 FERMOR AVENUE PROJECT No: SHEET TITLE: SITE PLANS DATE: 2019/04/01 FILE NAME: 0006FMSPLong



AREAS TO BE CLEARED OF SNOW:  
90 + 90 + 40 + 72 = 202 SQ. FT.

SITE PLAN  
ST. VITAL LIBRARY  
6 FERMOR AVENUE  
BID OPPORTUNITY  
136-2019

No.	REVISION/DESCRIPTION	BY	DATE
SEAL			

DATE	USER	CHECKED	DESIGNED	APPROVED
2019/04/01				

THE CITY OF WINNIPEG  
PLANNING, PROPERTY AND  
DEVELOPMENT DEPARTMENT  
MUNICIPAL ACCOMMODATIONS DIVISION  
3-65 GARRY STREET, R3C 4K4

PROJECT  
ST. VITAL LIBRARY

6 FERMOR AVENUE

SHEET TITLE  
SITE PLAN  
SNOW REMOVAL

0006FMSPL

SCALE	PROJECT No:	SHEET No:
NOT TO SCALE		A-1

KILLARNEY STREET

FERMOR AVENUE

FERMOR AVENUE