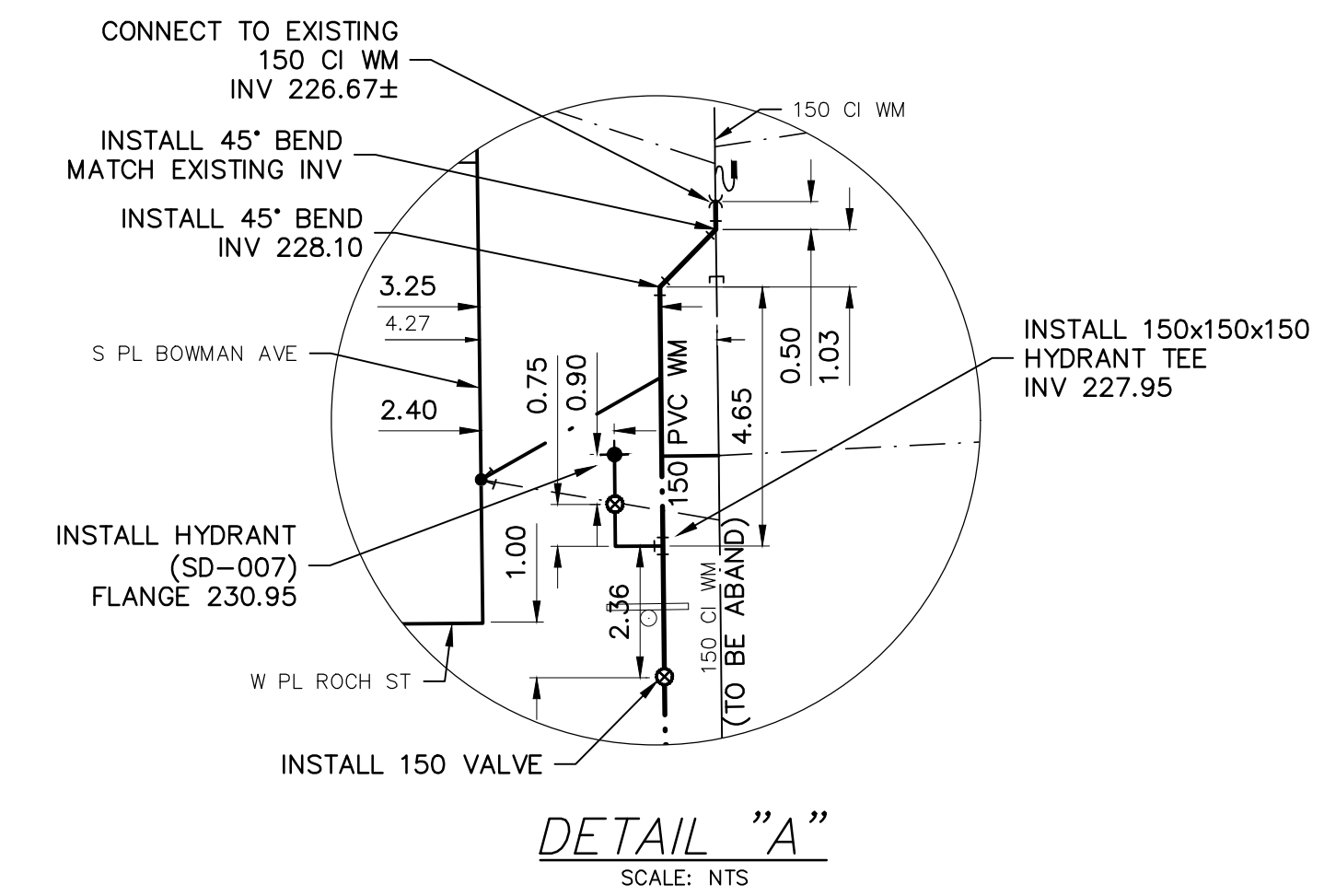
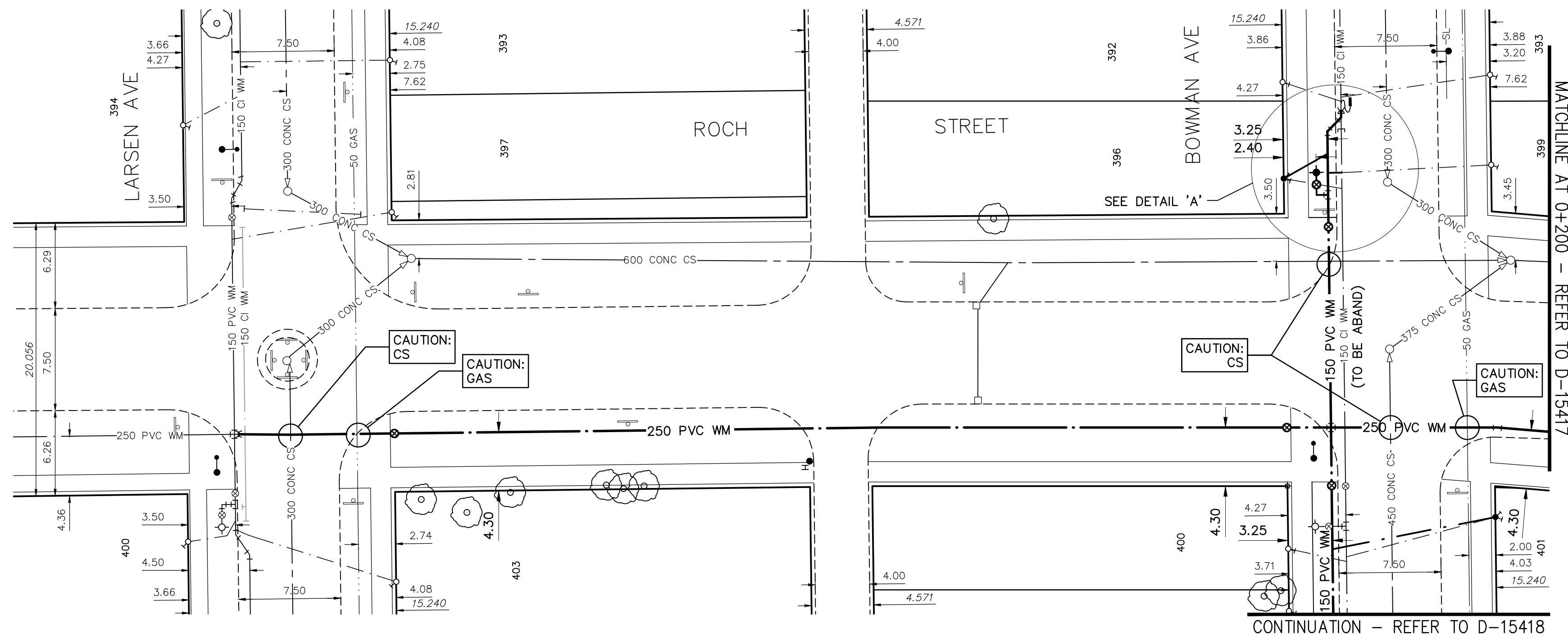
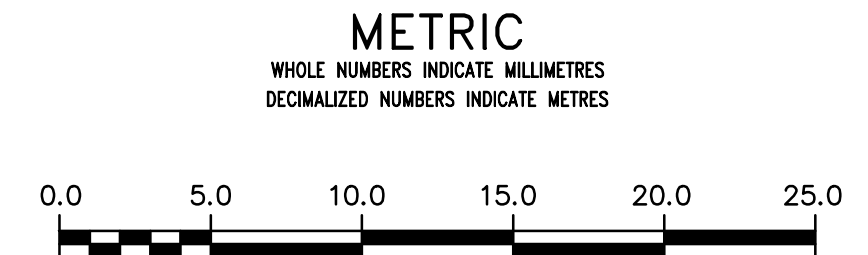


NOTE: CHAINAGES SHOWN ARE ALONG E. R. OF ROCH ST



ALL VALVES TO BE COUNTER-CLOCKWISE TO CLOSE (RED OPERATING NUT)



ENGINEERS
GEO-SCIENTISTS
MANITOBA
Certificate of Authorization
AECOM Canada Ltd.
No. 4671 Date: 3/29/2019

REFER TO DRAWING D-15408 FOR CONSTRUCTION NOTES

WARNING
IF POWER EQUIPMENT OR EXPLOSIVES ARE TO BE USED FOR EXCAVATION ON THIS PROJECT THE CONTRACTOR MUST:
1) NOTIFY THE GAS COMPANY OF THE PROPOSED LOCATION OF EXCAVATION.
2) TAKE PRECAUTION TO AVOID DAMAGE TO GAS COMPANY INSTALLATIONS.
SEE PROVINCIAL REGULATION 210/72 FOR DETAILS

LOCATION APPROVED
UNDERGROUND STRUCTURES
SUPV. U/G STRUCTURES COMMITTEE DATE
NOTE:
LOCATION OF UNDERGROUND STRUCTURES AS SHOWN ARE BASED ON THE BEST INFORMATION AVAILABLE BUT NO GUARANTEE IS GIVEN THAT ALL EXISTING UTILITIES ARE SHOWN OR THAT THE GIVEN LOCATIONS ARE EXACT. CONFIRMATION OF EXISTENCE AND EXACT LOCATION OF ALL SERVICES MUST BE OBTAINED FROM THE INDIVIDUAL UTILITIES BEFORE PROCEEDING WITH CONSTRUCTION.

B.M.	27-030	85R637 - S.W. Cor. Roch St. and Harrison Ave., Tilt on top of 0.05m dia. x 2.4m iron pipe, 2.1m E. of W.L. of Roch St. & on S.L. of Harrison Ave.
ELEV.	230.897m	
NO.	ISSUED FOR TENDER	19/03/29 GSK
A	ISSUED FOR REVIEW	19/03/15 GSK
NO.	REVISIONS	DATE BY

AECOM

DESIGNED BY	JP	CHECKED BY	GSK
DRAWN BY	JP	APPROVED BY	
SCALE:	HORIZONTAL 1:250	RELEASED FOR CONSTRUCTION	
DATE	2019/03/15	DATE	

ENGINEER'S SEAL
PROVINCE OF MANITOBA
REGISTERED PROFESSIONAL ENGINEER
K.W. FITCHETT
March 2019

THE CITY OF WINNIPEG
WATER AND WASTE DEPARTMENT
ENGINEERING DIVISION
2019 WATER MAIN RENEWALS
CONTRACT 7
ROCH STREET
LARSEN AVENUE TO
63m S OF JAMISON AVENUE

SHEET 10 OF 19
CITY DRAWING NUMBER
D-15416

CONSULTANT DRAWING NUMBER
C-0008