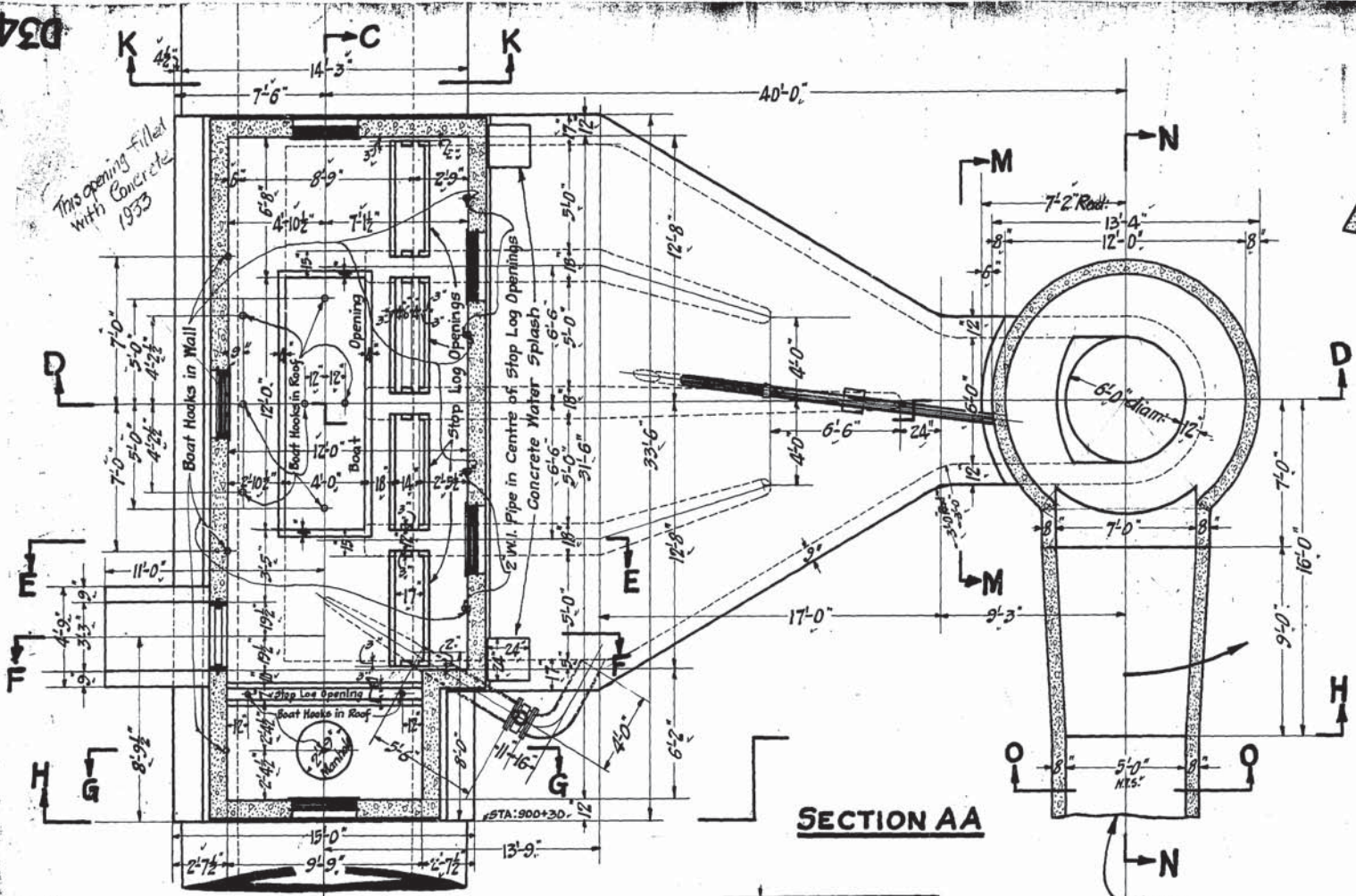
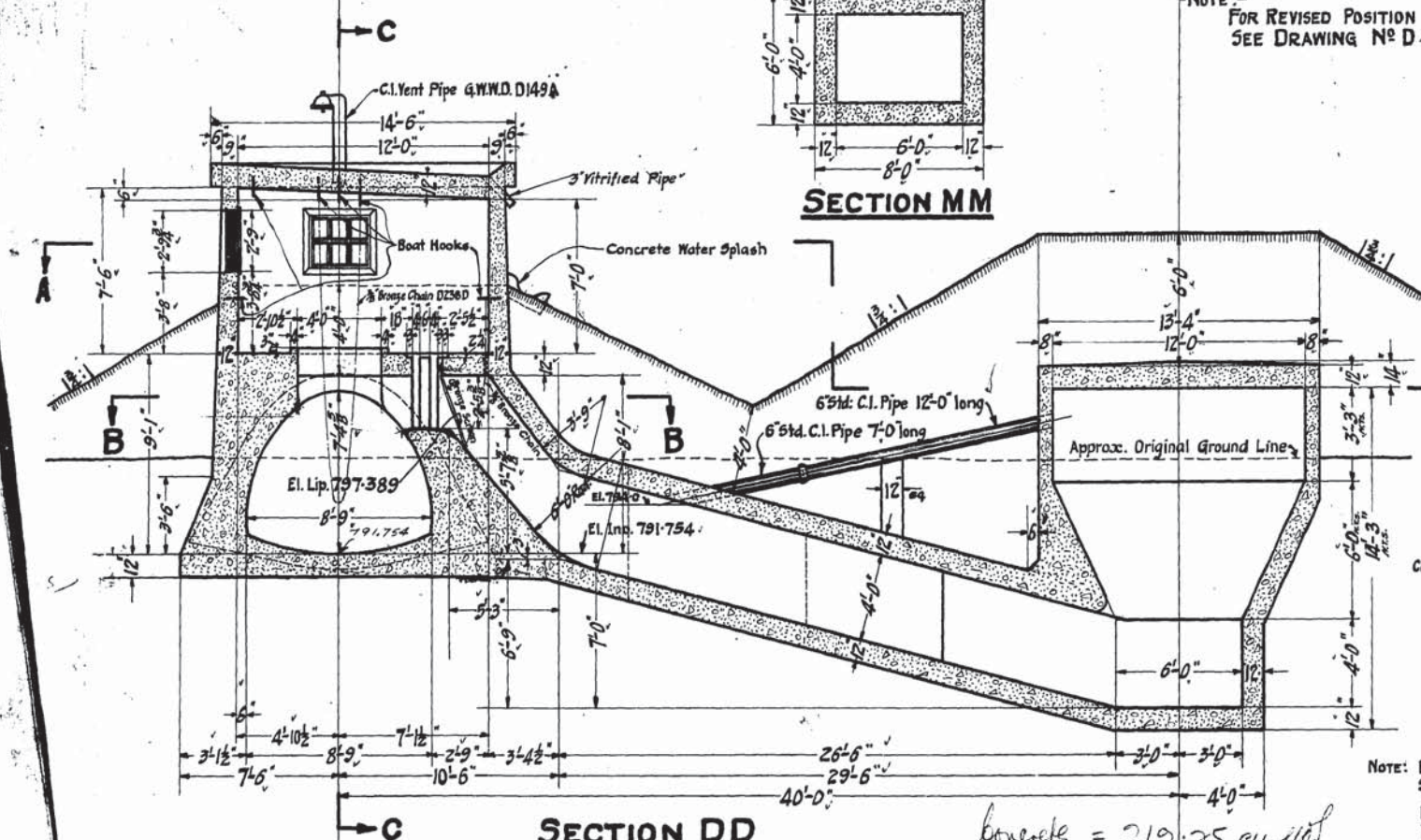


Appendix B

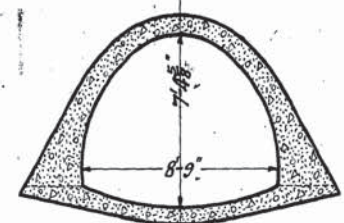
Historic Drawings



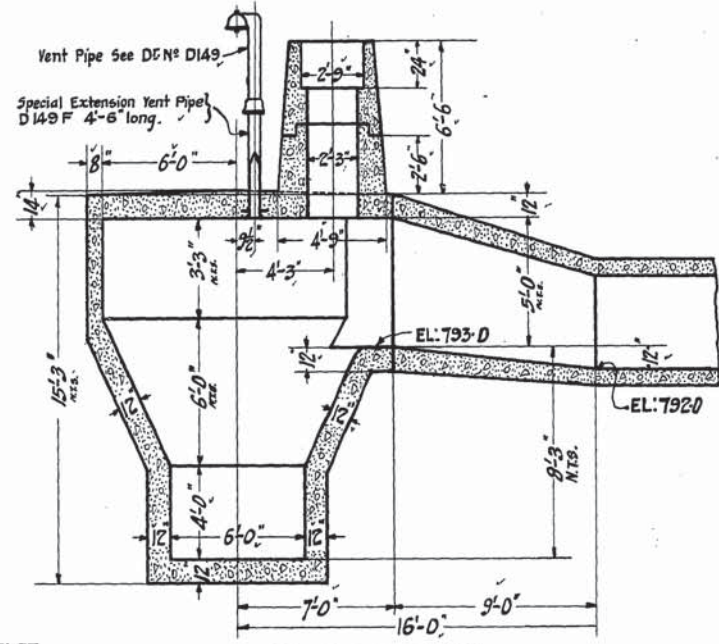
SECTION AA



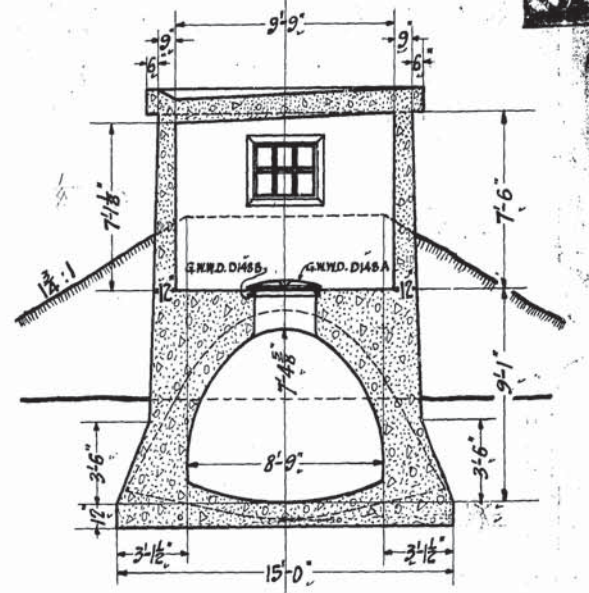
SECTION DD



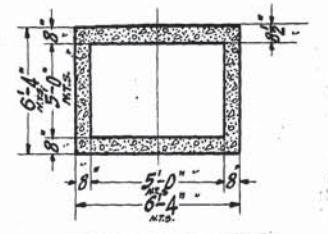
SECTION KK
See Drawing N° B210



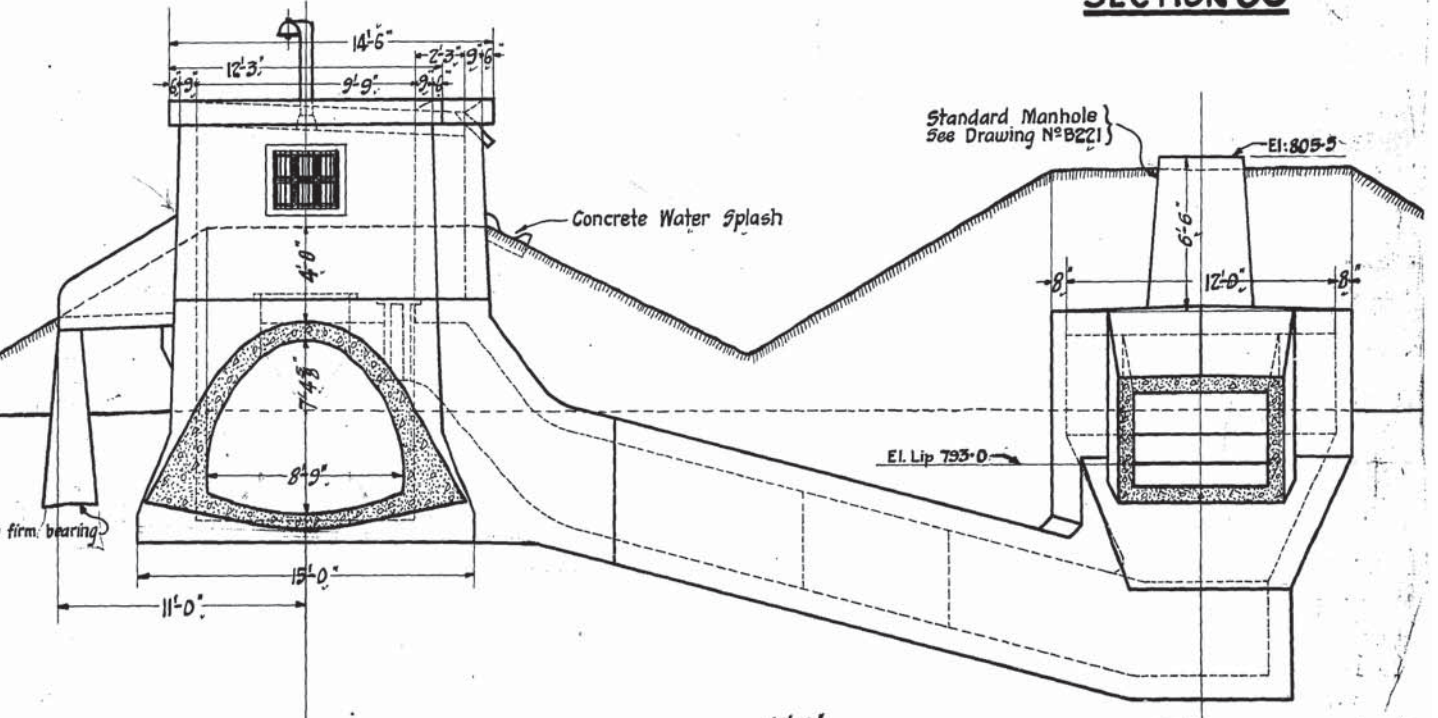
SECTION NN



SECTION GG



SECTION OO



END ELEVATION HH

NOTE: FOR REVISED POSITION OF OUTLET SEE DRAWING N° D 415.

Note: Paint all Exposed Ironwork Two Coats Sherwin-Williams Metallastic or Equivalent. Bronze Hooks, Screens and Chains Furnished by District and Set by Contractor

Concrete = 219.75 cu. ft.

Mile 17.05

CONTRACT N° 30

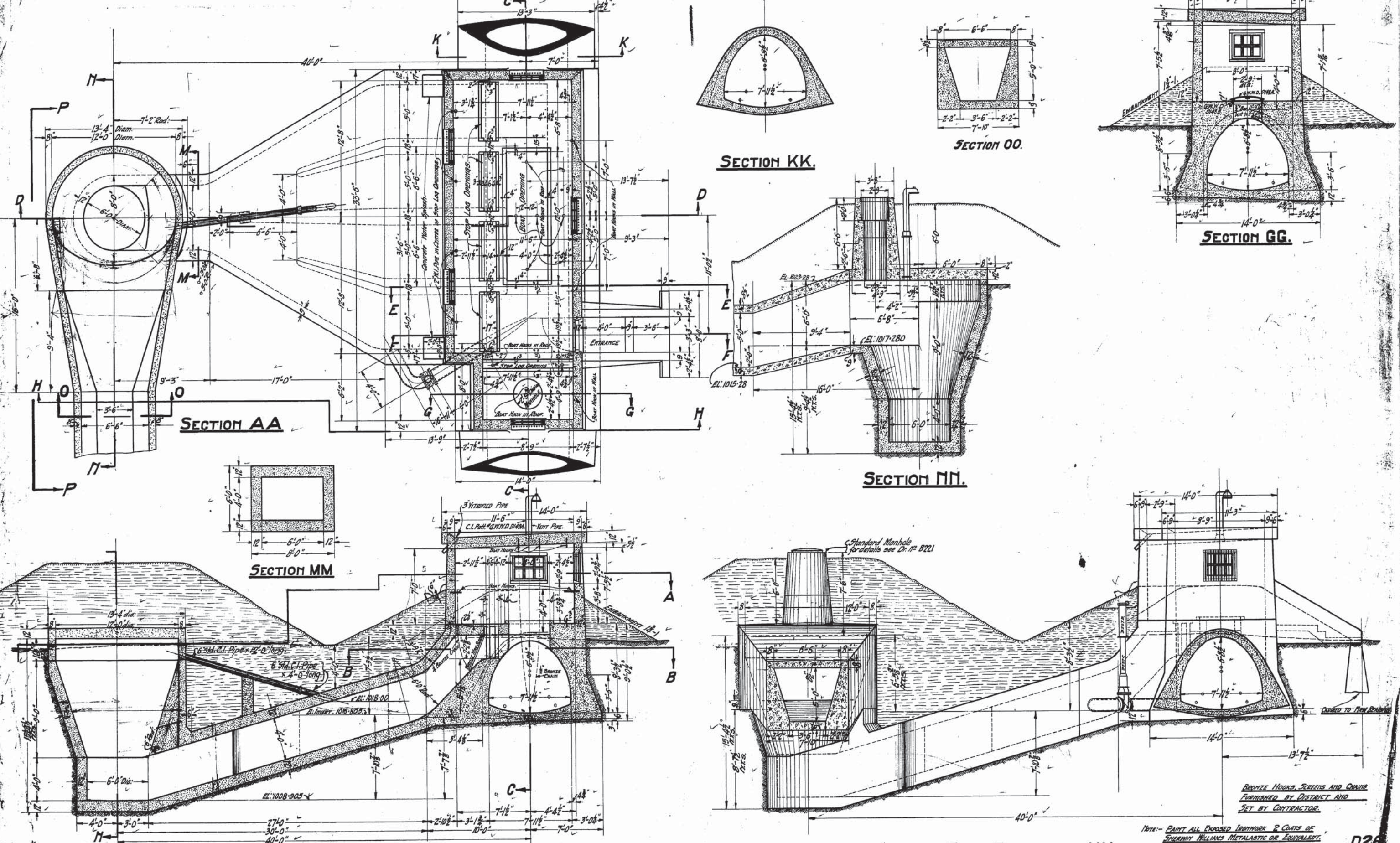
D347

Drawn By: [Signature]
Traced By: [Signature]
Checked By: [Signature]
Approved: [Signature]

Dimensions for Sump Well Revised Note re Position added, 28th Aug. 1917. also Invert to 12'

James H. Fieritz
CONSULTING ENGINEER
W. Schaefer
CHIEF ENGINEER

GREATER WINNIPEG WATER DISTRICT
DETAIL OF OVERFLOW AND BLOWOFF STRUCTURE
AT STA: 900+30
Date: 11-7-1917
Scale: 1/4" = 1'-0"



CONTRACT # 33.

DRAWN BY: *[Signature]*
 CHECKED BY: *[Signature]*
 APPROVED BY: *[Signature]*

SECTION DD.

END ELEVATION. HH.

GREATER WINNIPEG WATER DISTRICT
 DETAIL OF OVERFLOW AND BLOWOFF STRUCTURE

Mile 73.69

BRIDGE HOOKS, SCREENS AND CHAINS
 FURNISHED BY DISTRICT AND
 SET BY CONTRACTOR.

NOTE: PAINT ALL EXPOSED IRONWORK 2 COATS OF
 ZINC RICH WILKINS METALASTIC OR EQUIVALENT.

