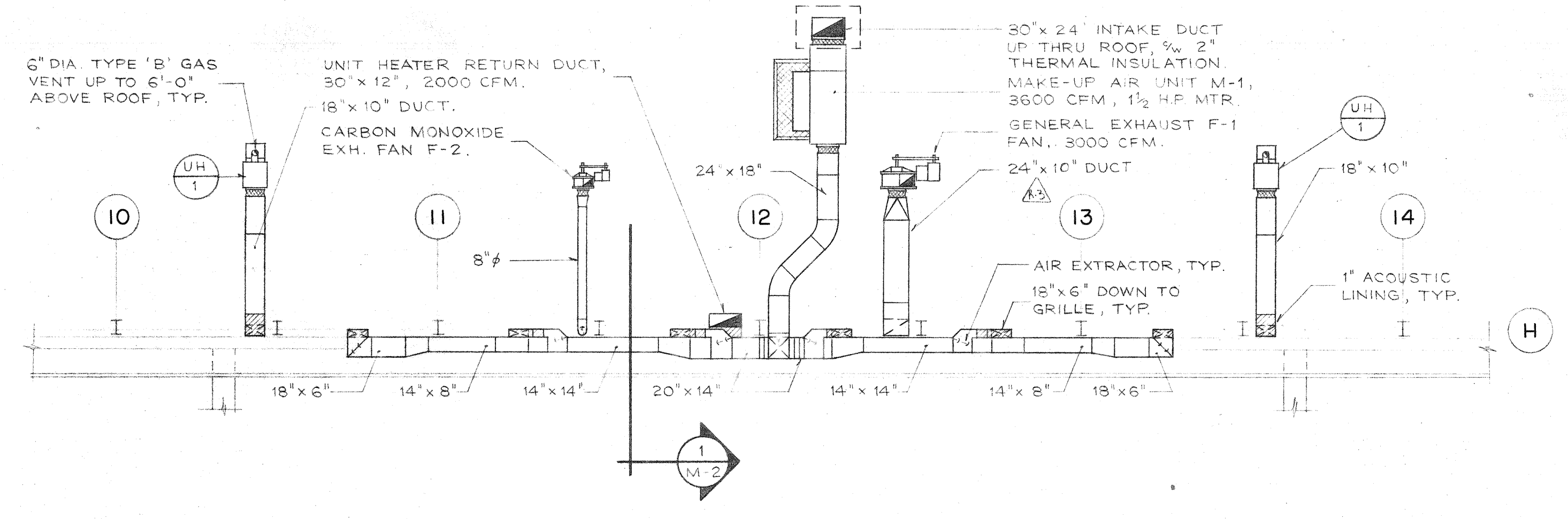
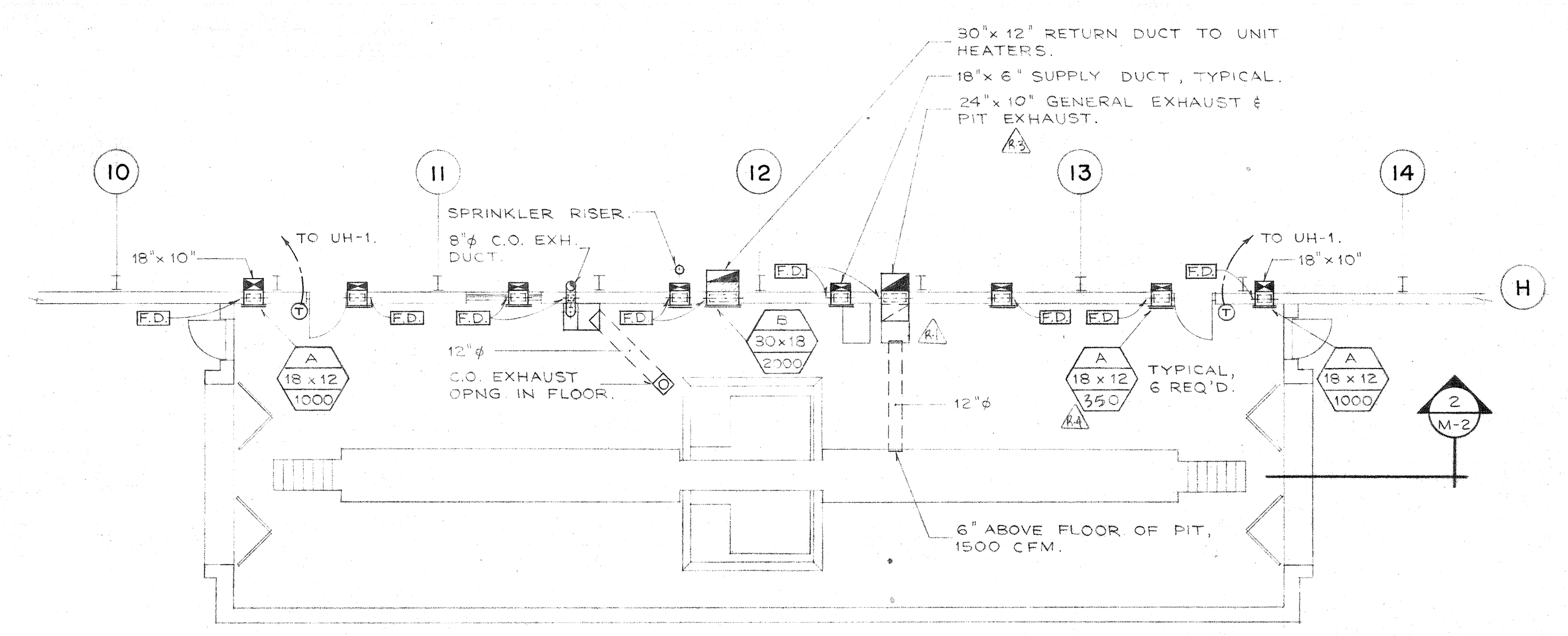
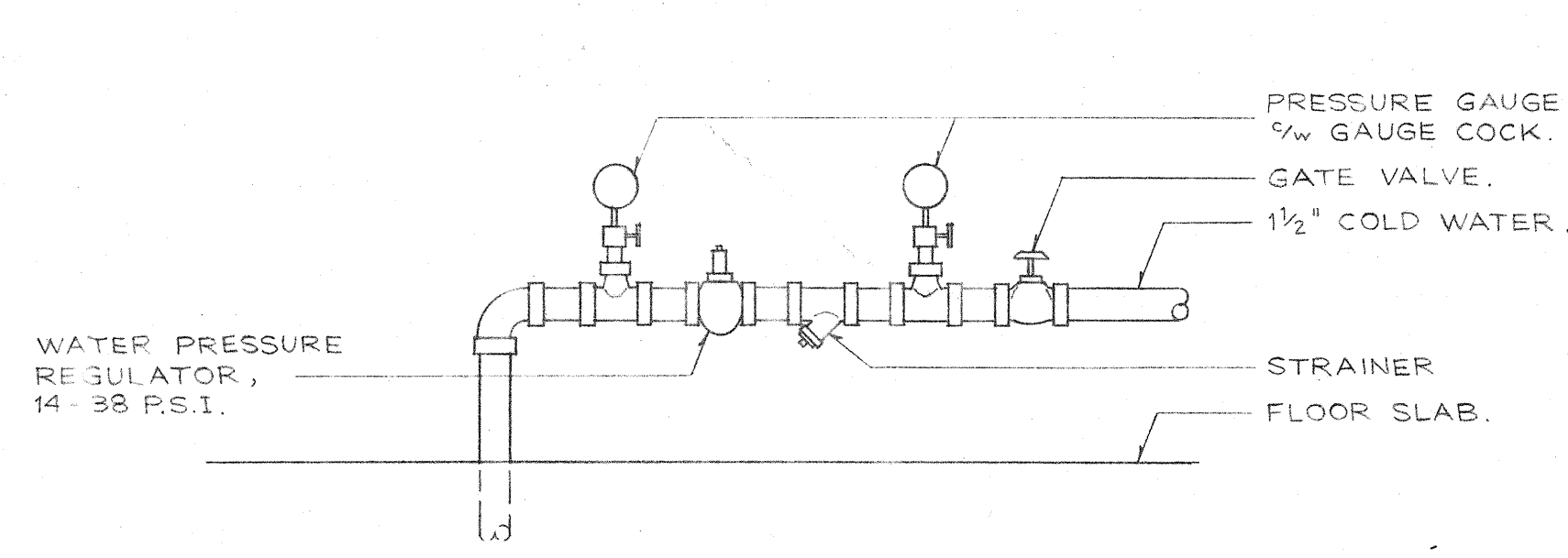
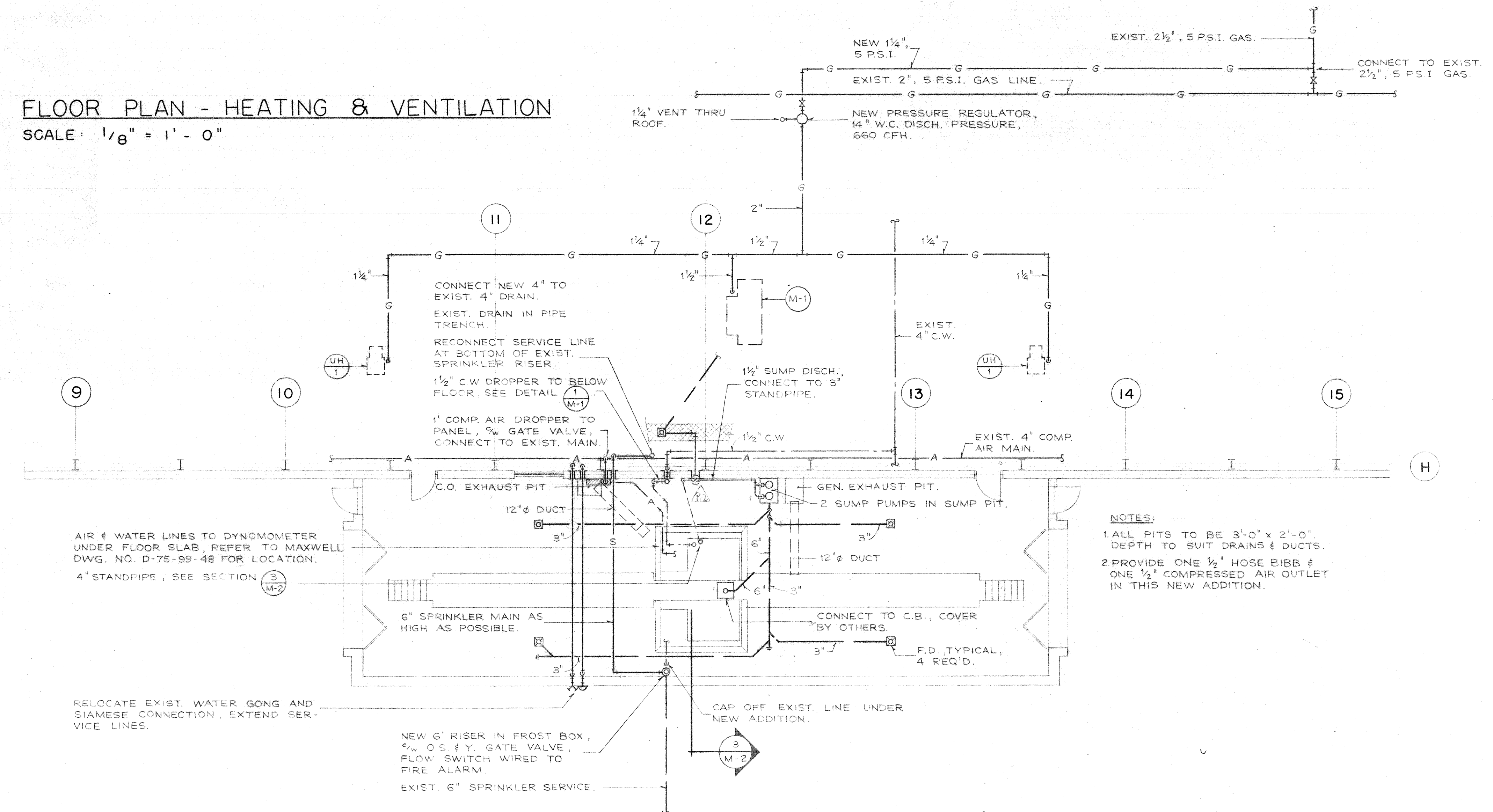


GRILLE SCHEDULE	
TYPE A	TITUS ALUMINUM SUPPLY DIFFUSER MODEL CL-272, DOUBLE DEFLECTION BLADES, OPPOSED BLADE DPR.
TYPE B	TITUS GL-30 STEEL RETURN GRILLE.



HIGH LEVEL PART PLAN - HEATING & VENTILATION  
SCALE: 1/8" = 1' - 0"

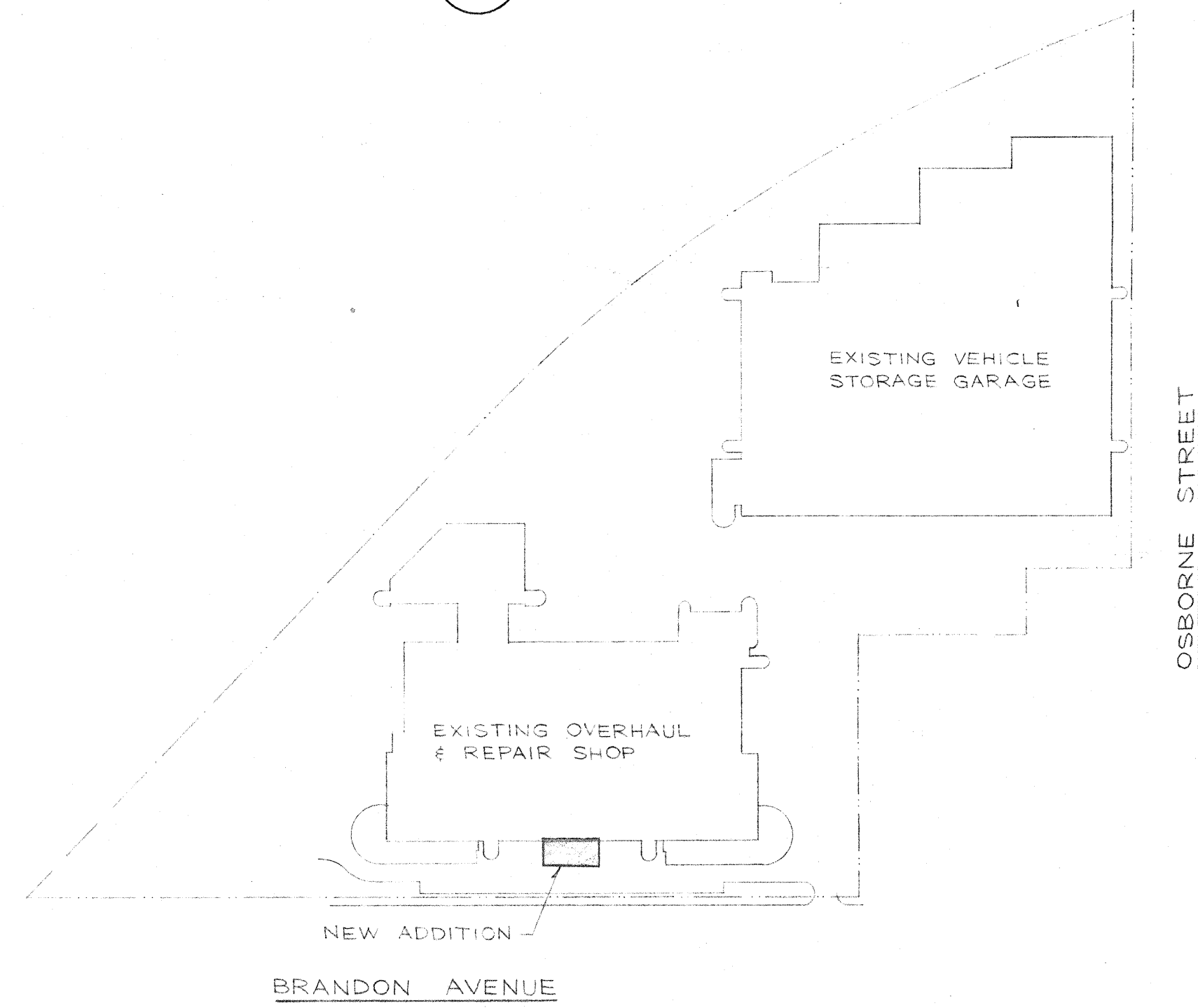
FLOOR PLAN - HEATING & VENTILATION  
SCALE: 1/8" = 1' - 0"



WATER SUPPLY DETAIL (M-1)  
N.T.S.

FLOOR PLAN - PLUMBING  
SCALE: 1/8" = 1' - 0"

SITE PLAN  
SCALE: 1" = 200'



DIRECTOR OF TRANSIT  
DIRECTOR OF CIVIC PROPERTIES

DATE: 12/12/93  
DR: [Signature]  
REVISION: 1

DATE	DR	REVISION
12/12/93	4	CFM REVISED
12/12/93	3	SIZE OF DUCT REVISED
12/12/93	2	SUMP & DYN. DRAINS REVISED
12/12/93	1	1/2" C.W. GRILLE DELETED

THIS DRAWING MUST NOT BE SCALED.  
THE GENERAL CONTRACTOR SHALL VERIFY ALL DIMENSIONS, DATUMS AND LEVELS PRIOR TO COMMENCEMENT OF WORK. ALL ERRORS AND OMISSIONS TO BE REPORTED IMMEDIATELY TO THE ARCHITECT.  
VARIATIONS & MODIFICATIONS TO WORK SHOWN ON THESE DRAWINGS SHALL NOT BE CARRIED OUT WITHOUT WRITTEN PERMISSION FROM THE ARCHITECT.  
THIS DRAWING IS THE EXCLUSIVE PROPERTY OF THE ARCHITECTS AND CAN BE REPRODUCED ONLY WITH THE PERMISSION OF THE ARCHITECTS, IN WHICH CASE THE REPRODUCTION MUST BEAR THEIR NAME AS ARCHITECTS.

**NUMBER TEN ARCHITECTURAL GROUP**  
ARCHITECTS AND PLANNERS  
210-175 HARBOUR ST., WINNIPEG, CANADA R3C 3B9 (204) 942-0981

ASSOCIATE ARCHITECT

CONSULTING ENGINEER  
**G. H. CURRIE & ASSOCIATES**  
MECHANICAL ENGINEERING CONSULTANTS  
208-270 MAIN ST., WINNIPEG, MAN. R3C 1A9

ARCH. SEAL: [Signature]  
ENG. SEAL: [Signature]  
REGISTERED ENGINEER  
G. H. CURRIE  
8037

PROJECT  
DYNAMOMETER FACILITY  
ADDITION TO THE  
OVERHAUL & REPAIR SHOP  
CITY OF WINNIPEG TRANSIT  
WINNIPEG MANITOBA

SHEET TITLE  
MECHANICAL SYSTEMS  
& SITE PLAN

DRAWN BY	DATE	SHEET NO.
G.H.		M-1
CHECKED BY	PROJECT NO.	FILE NO.
G.H.C.	7742	

**AS BUILT**

421 OSBORNE ST.  
 8015  
 PROJECT NO.  
 DYNAMOMETER FACILITY  
 MECHANICAL SYSTEMS AND SITE PLAN