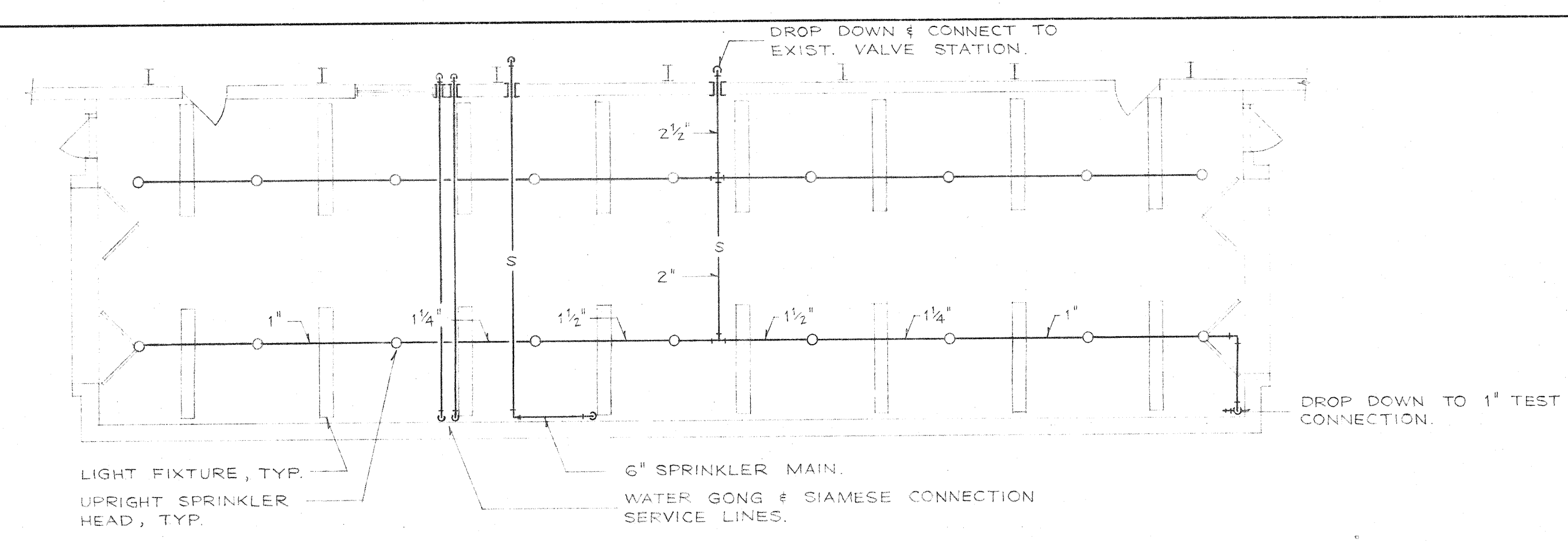
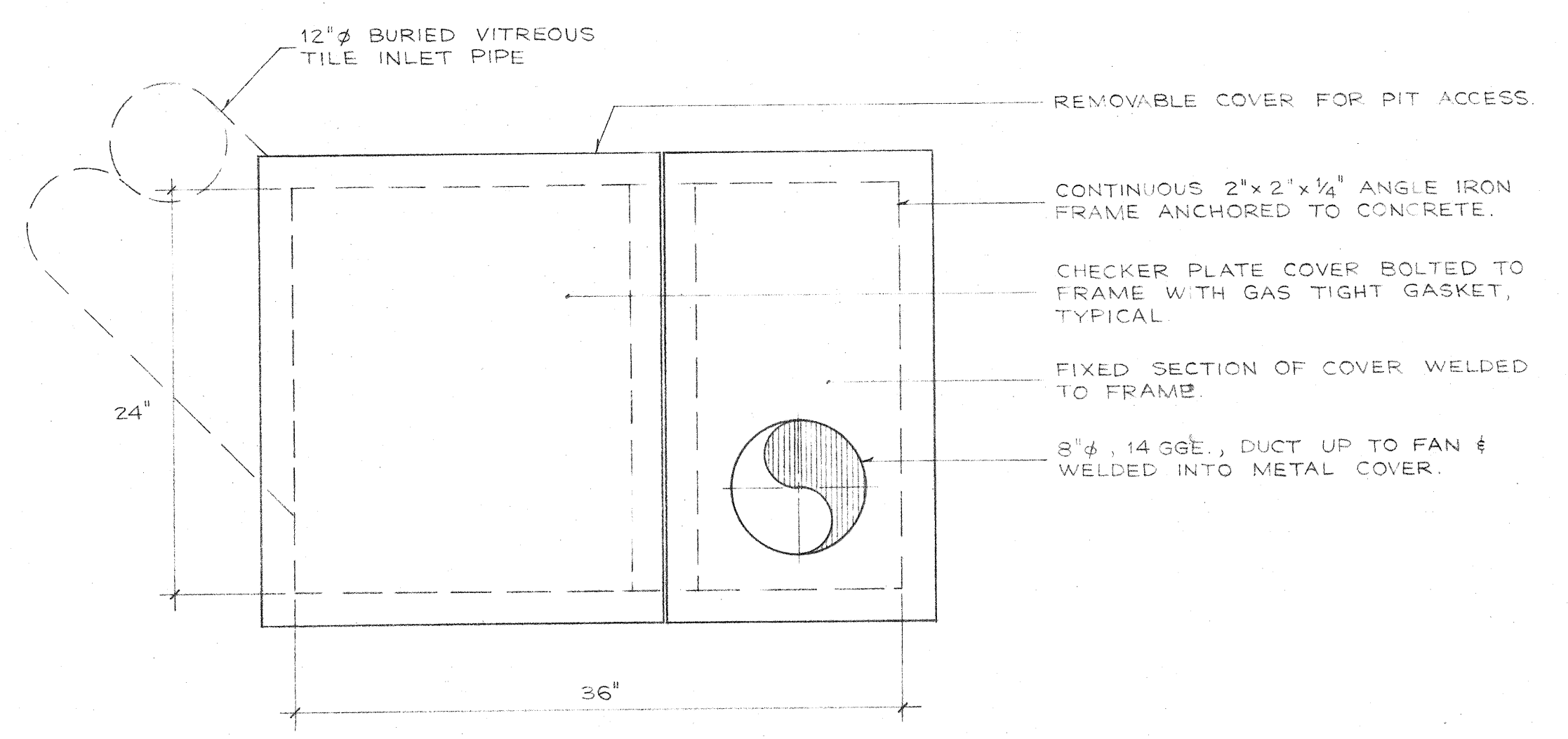


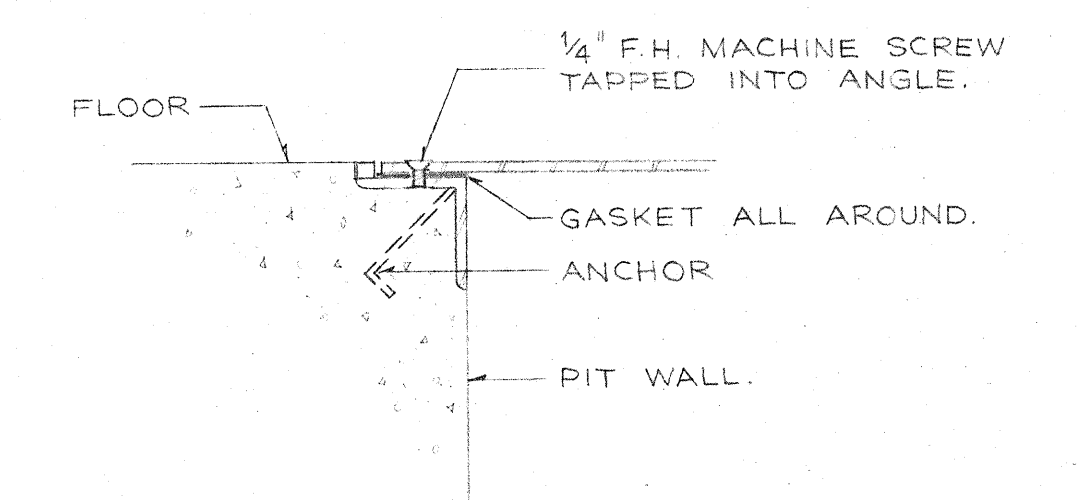
1 CROSS SECTION
M-2 SCALE: 1/4" = 1' - 0"



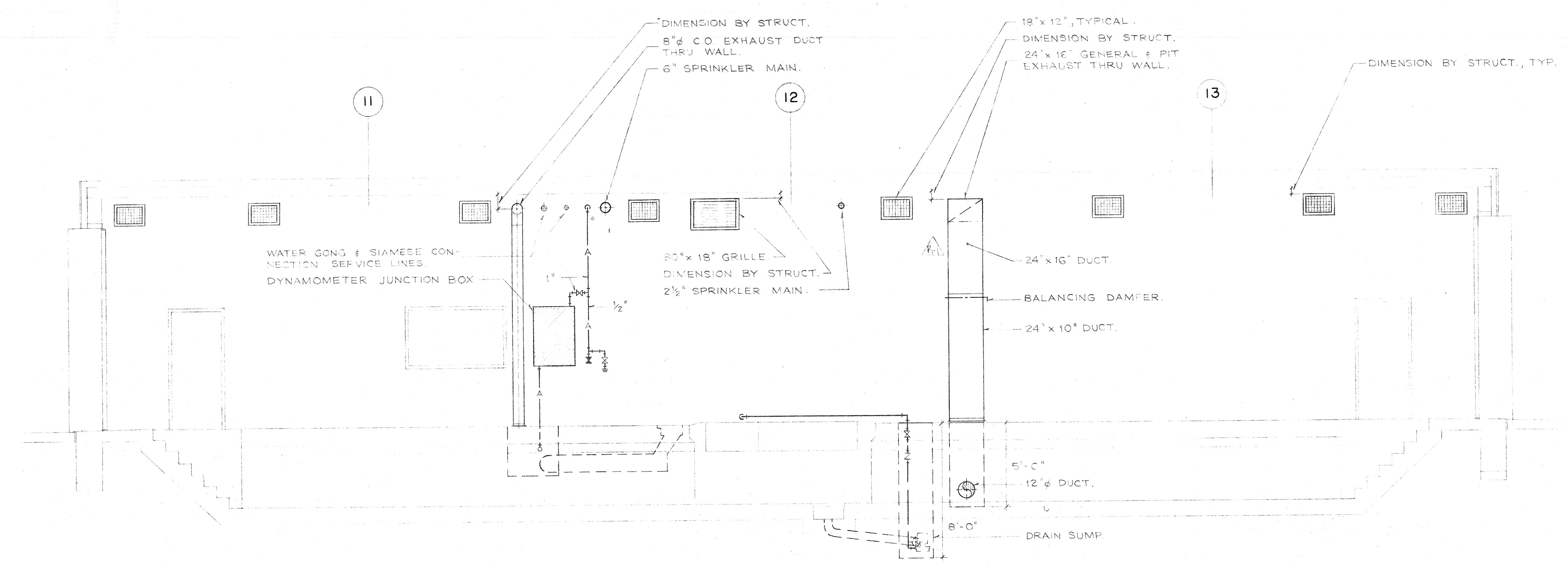
SPRINKLER SYSTEM LAYOUT
SCALE: 1/8" = 1' - 0"



CO EXHAUST PIT COVER DETAIL (GENERAL EXH. PIT SIMILAR)
N.T.S.



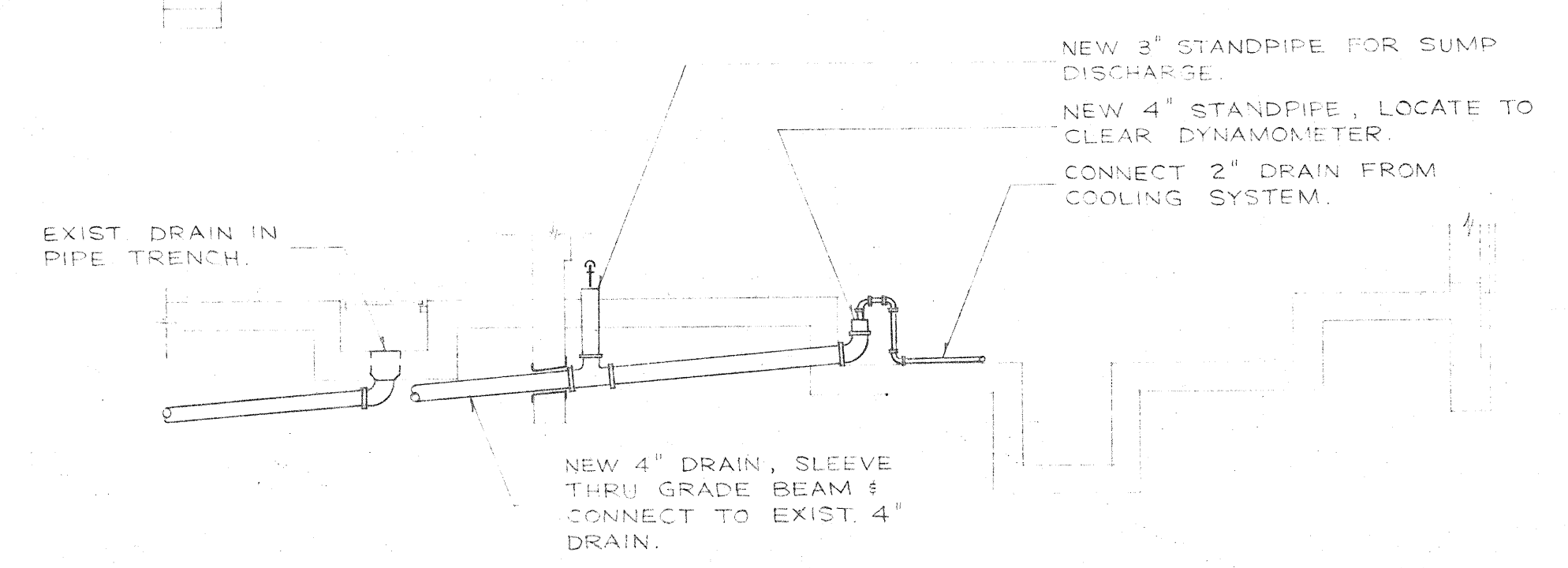
SECTION AT EXHAUST PIT COVER
N.T.S.



2 LONGITUDINAL SECTION
M-2 SCALE: 1/4" = 1' - 0"

LEGEND

- SEWER LINE.
- COLD WATER LINE.
- G — GAS LINE.
- A — COMPRESSED AIR LINE.
- S — SPRINKLER LINE.
- ⬡ — GRILLE TYPE, GRILLE SIZE, AIR VOLUME (CFM).
- (M) — FRESH AIR MAKE-UP UNIT.
- (UH) — UNIT HEATER.
- (T) — THERMOSTAT.
- (FD) — FIRE DAMPER.
- ▨ — DUCT WITH 1" ACOUSTIC LINING.



3 CROSS SECTION
M-2 SCALE: 1/4" = 1' - 0"

AS BUILT

DIRECTOR OF TRANSIT
DIRECTIONS OF CIVIC PROPERTIES

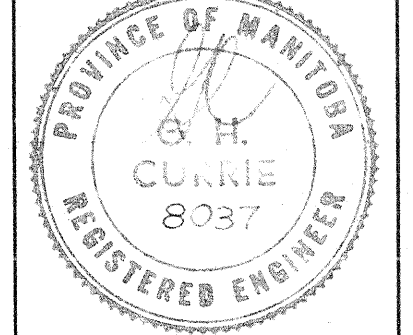
DATE	DR	REVISION
12/23		12" x 16" GRILLE DELETED

THIS DRAWING MUST NOT BE SCALED.
THE GENERAL CONTRACTOR SHALL VERIFY ALL DIMENSIONS, DATUMS AND LEVELS PRIOR TO COMMENCEMENT OF WORK. ALL ERRORS AND OMISSIONS TO BE REPORTED IMMEDIATELY TO THE ARCHITECT.
VARIATIONS & MODIFICATIONS TO WORK SHOWN ON THESE DRAWINGS SHALL NOT BE CARRIED OUT WITHOUT WRITTEN PERMISSION FROM THE ARCHITECT.
THIS DRAWING IS THE EXCLUSIVE PROPERTY OF THE ARCHITECTS AND CAN BE REPRODUCED ONLY WITH THE PERMISSION OF THE ARCHITECTS IN WHICH CASE THE REPRODUCTION MUST BEAR THEIR NAME AS ARCHITECTS.

NUMBER TEN ARCHITECTURAL GROUP
ARCHITECTS AND PLANNERS
210 - 175 HARGRAVE ST., WINNIPEG, CANADA R3C 3B7 (204) 945-0981

ASSOCIATE ARCHITECT

CONSULTING ENGINEER
G.H. CURRIE & ASSOCIATES
MECHANICAL ENGINEERING CONSULTANTS
208 - 270 MAIN ST. WINNIPEG, MAN. R3C 1A9



PROJECT
DYNAMOMETER FACILITY ADDITION TO THE OVERHAUL & REPAIR SHOP
CITY OF WINNIPEG TRANSIT
WINNIPEG MANITOBA

SHEET TITLE
SECTIONS & DETAILS

DRAWN BY	DATE	SHEET NO.
G.H.		M-2
CHECKED BY	PROJECT NO.	FILE NO.
G.H.C.	7742	

ADDRESS: 111 OSBORNE ST.
 PROJECT NO: M-2
 DRAWING NO: 80115
 DESCRIPTION: DYNAMOMETER FACILITY
 SECTIONS AND DETAILS