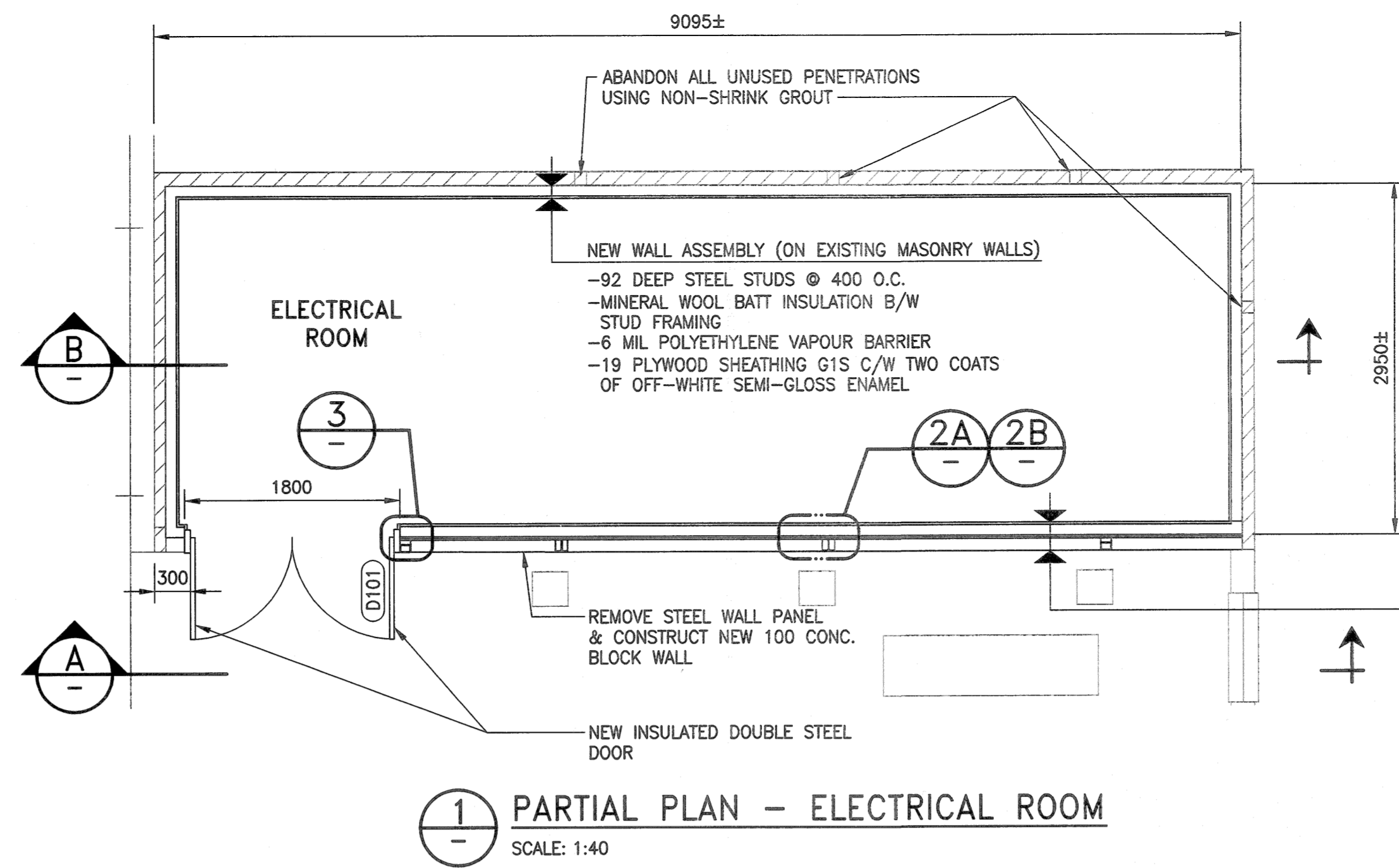
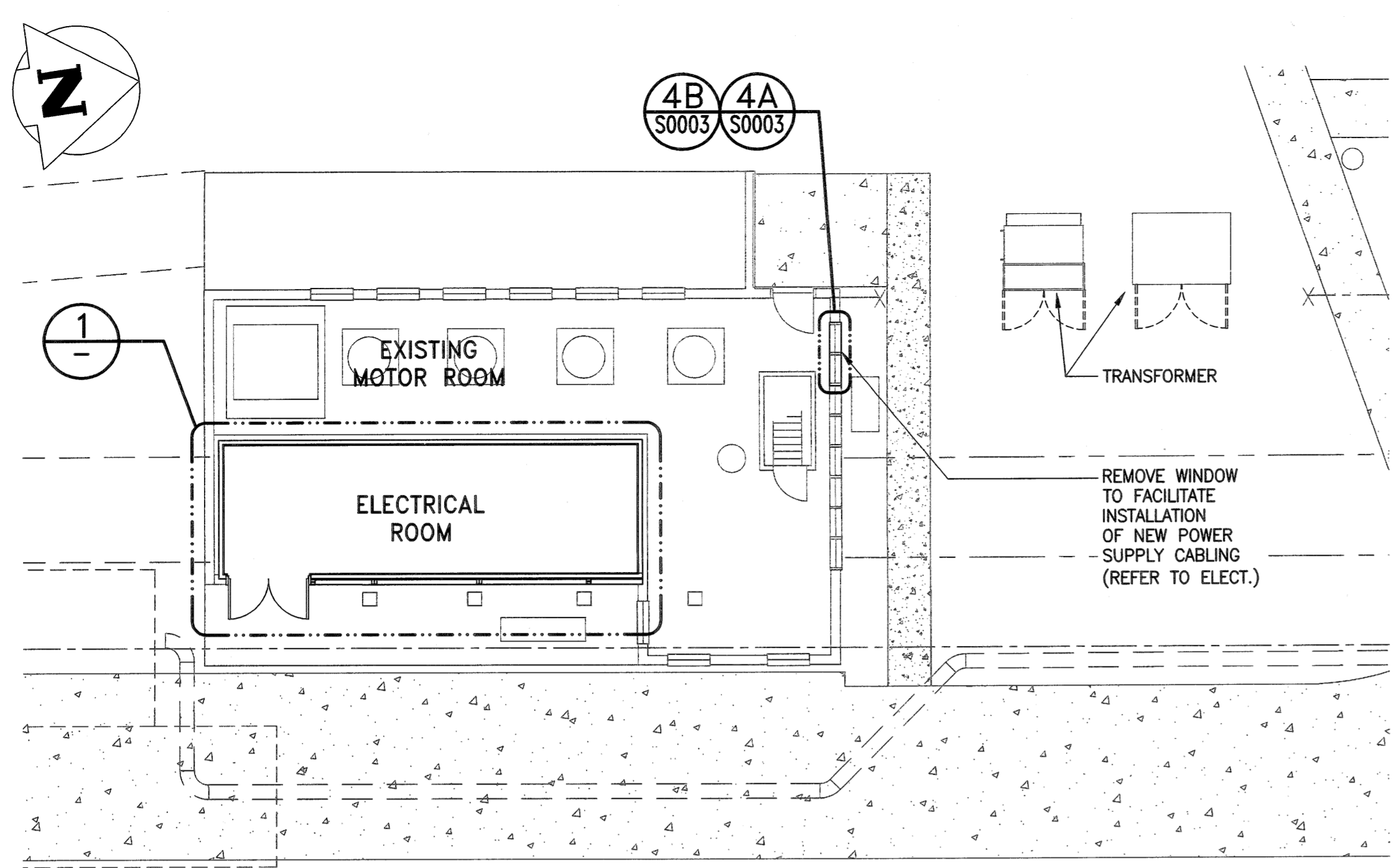


File Name: R:\Projects\2019\19-0107-002\DWG\Struct\19-0107-002_S01.dwg - Tab: S01 Plotted By: Dberoch 07/17/2019 [Wed 2:06pm]



GENERAL NOTES:

- NOTES READ IN CONJUNCTION WITH THE SPECIFICATIONS.
- CONTRACTOR IS RESPONSIBLE FOR APPLYING FOR ALL REQUIRED BUILDING PERMITS.

BUILDING CODE SUMMARY (ELECTRICAL ROOM ONLY):

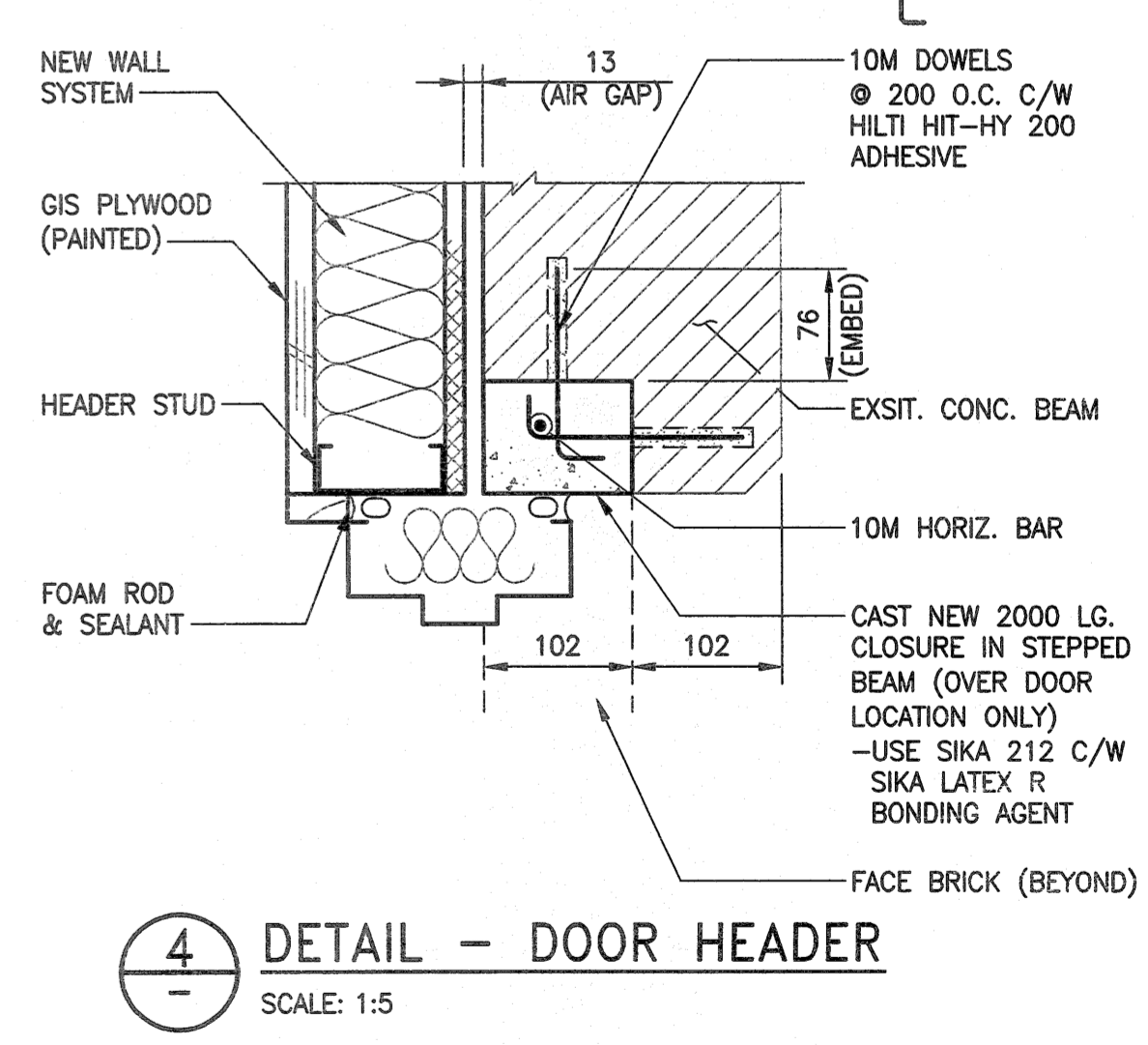
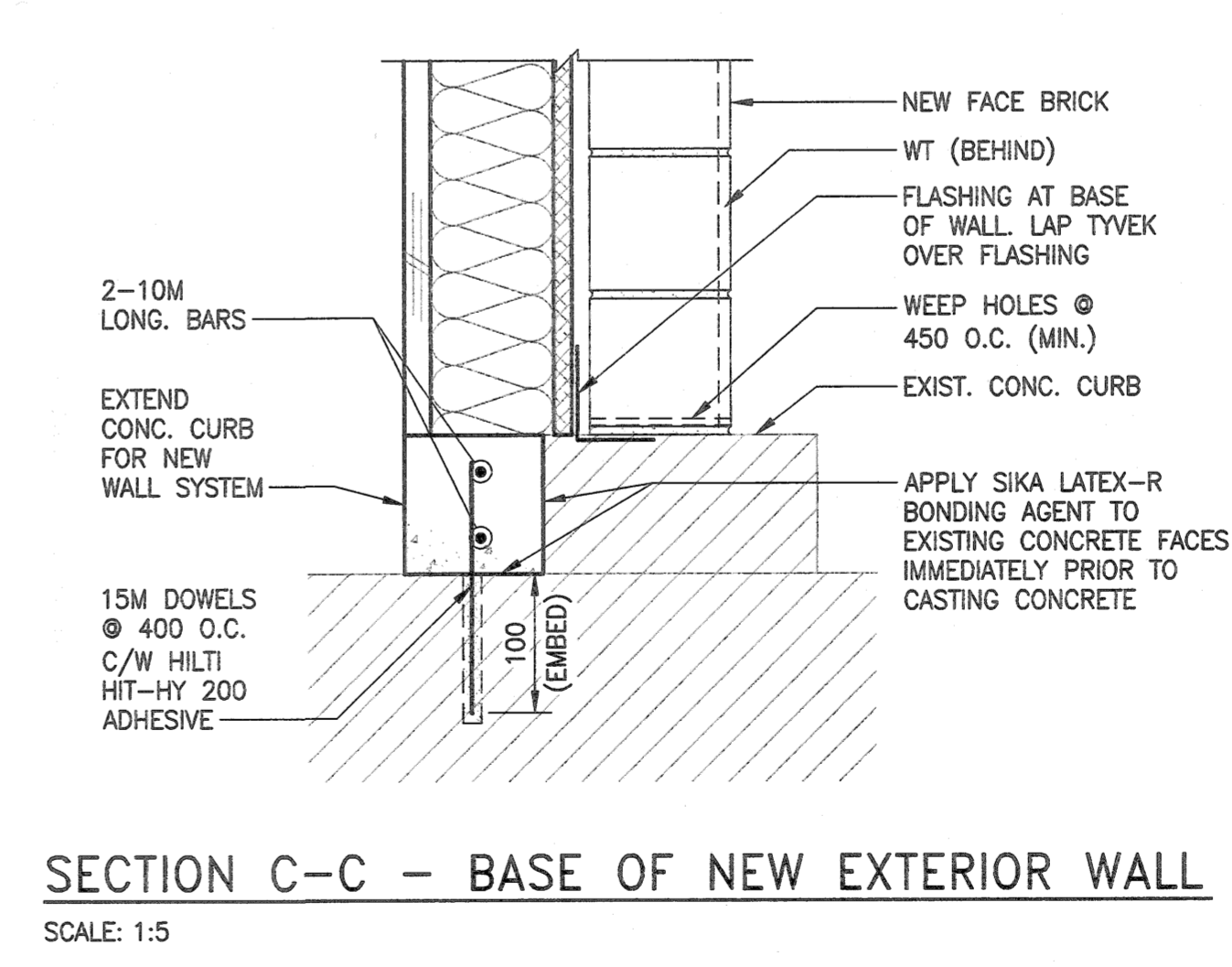
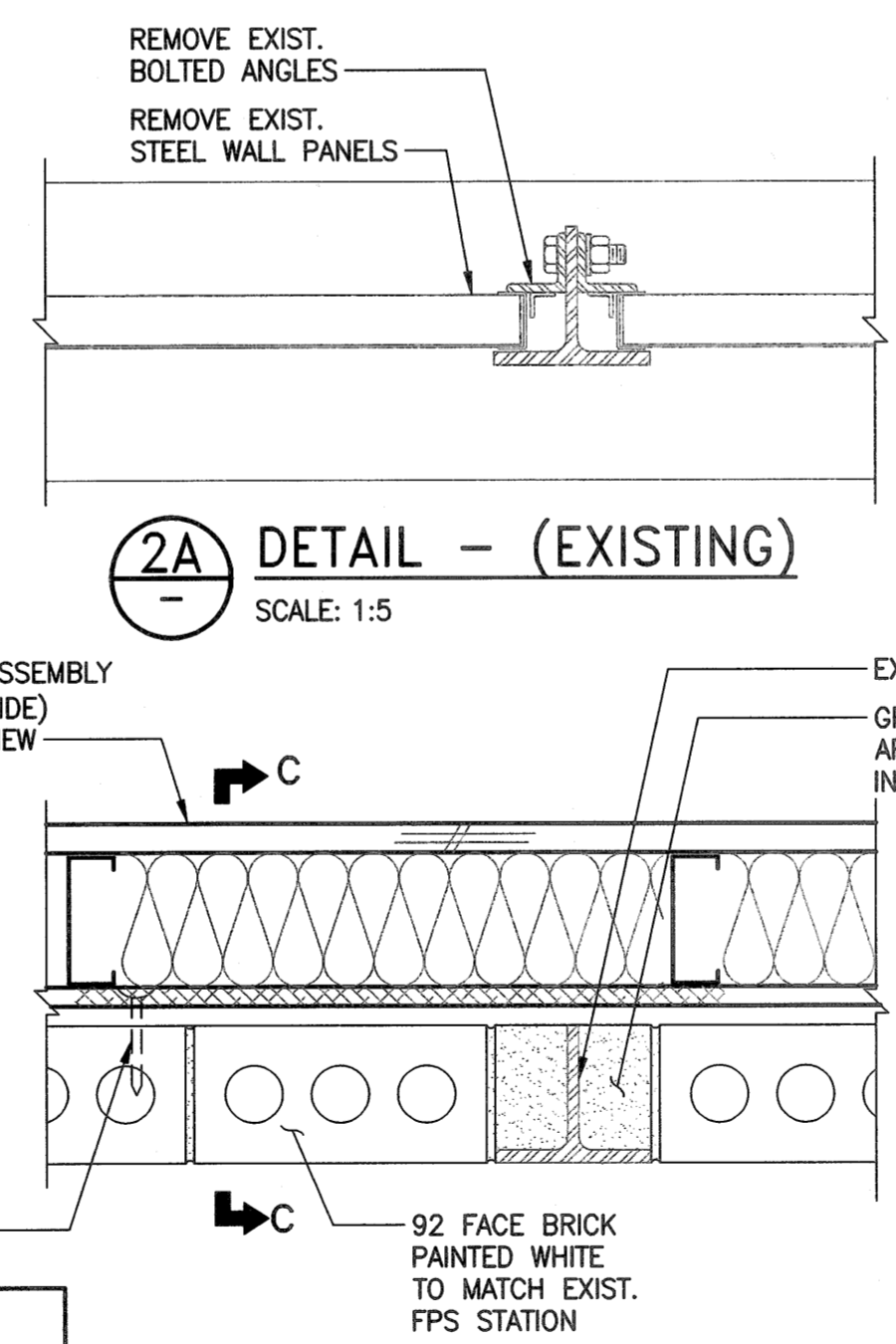
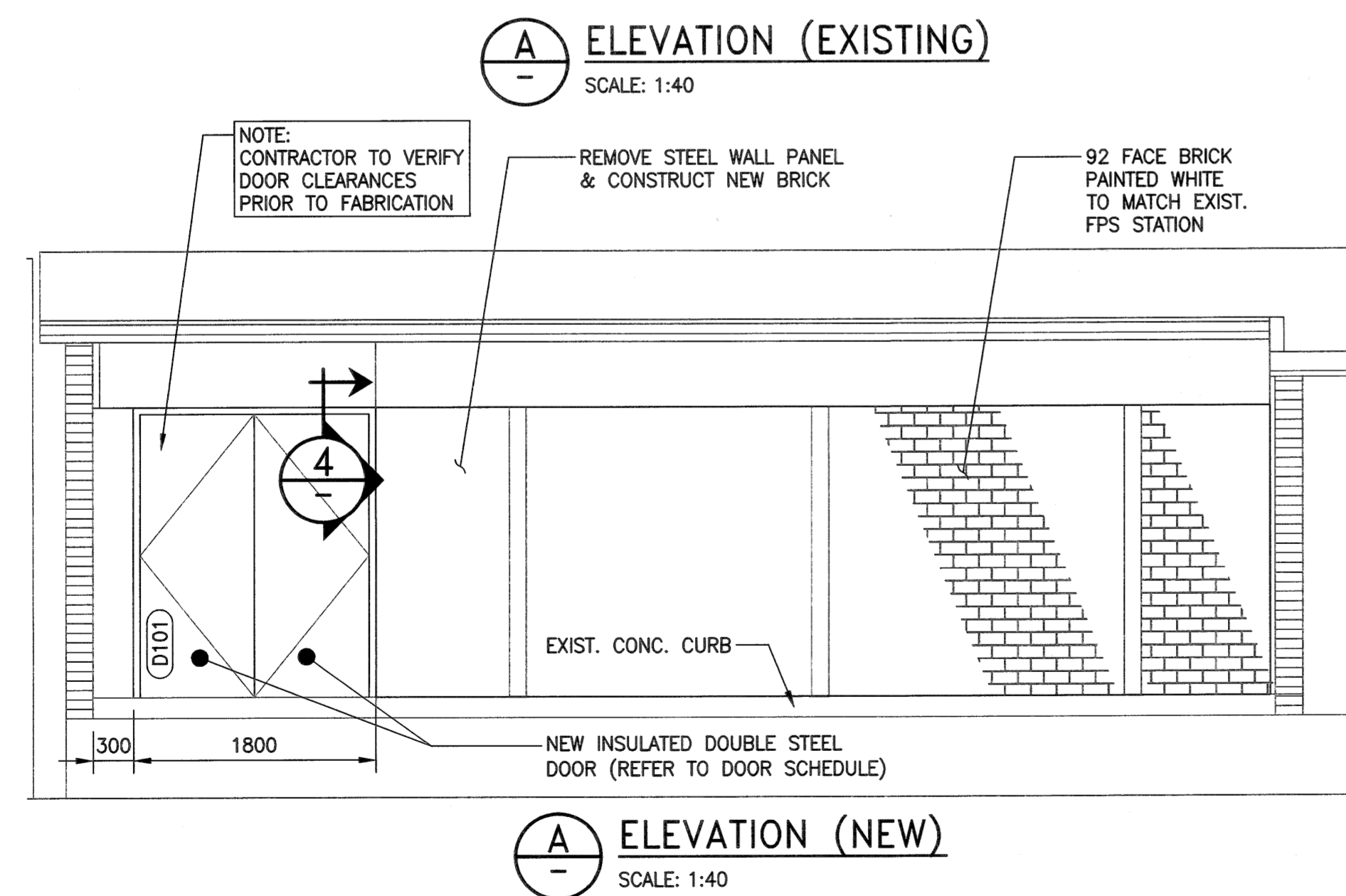
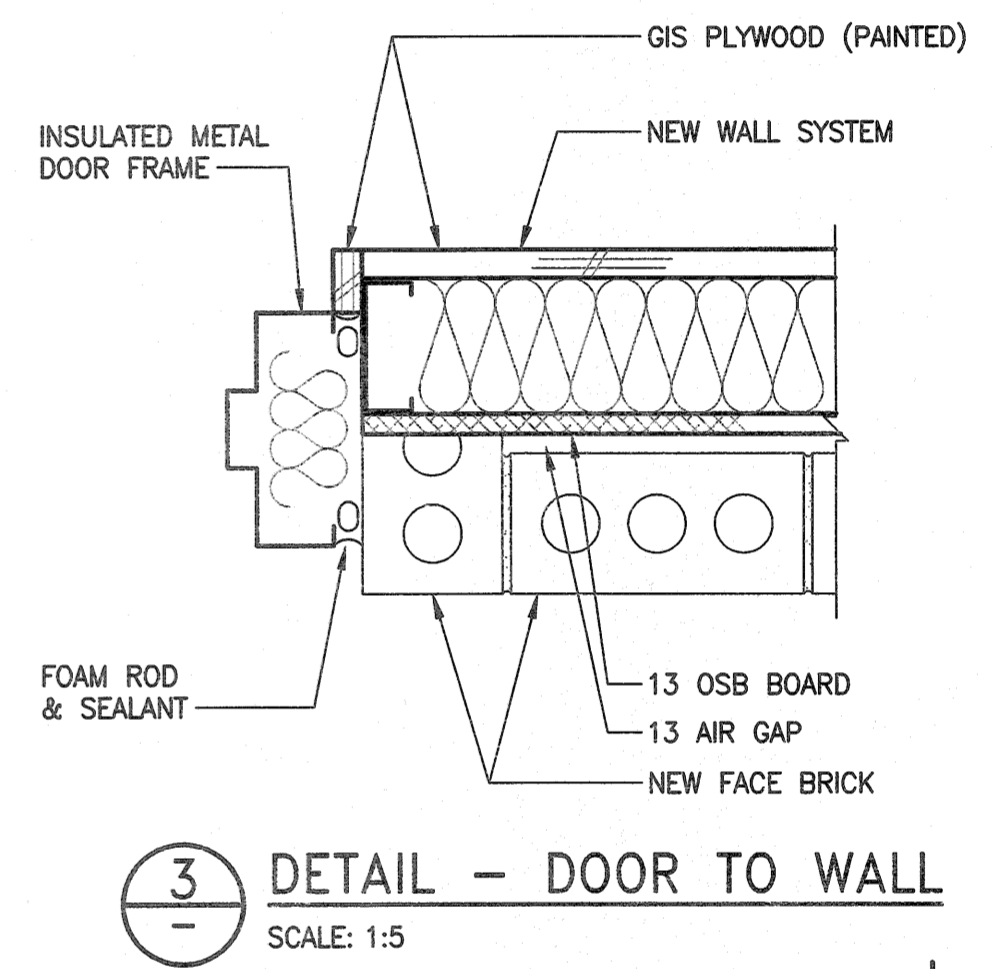
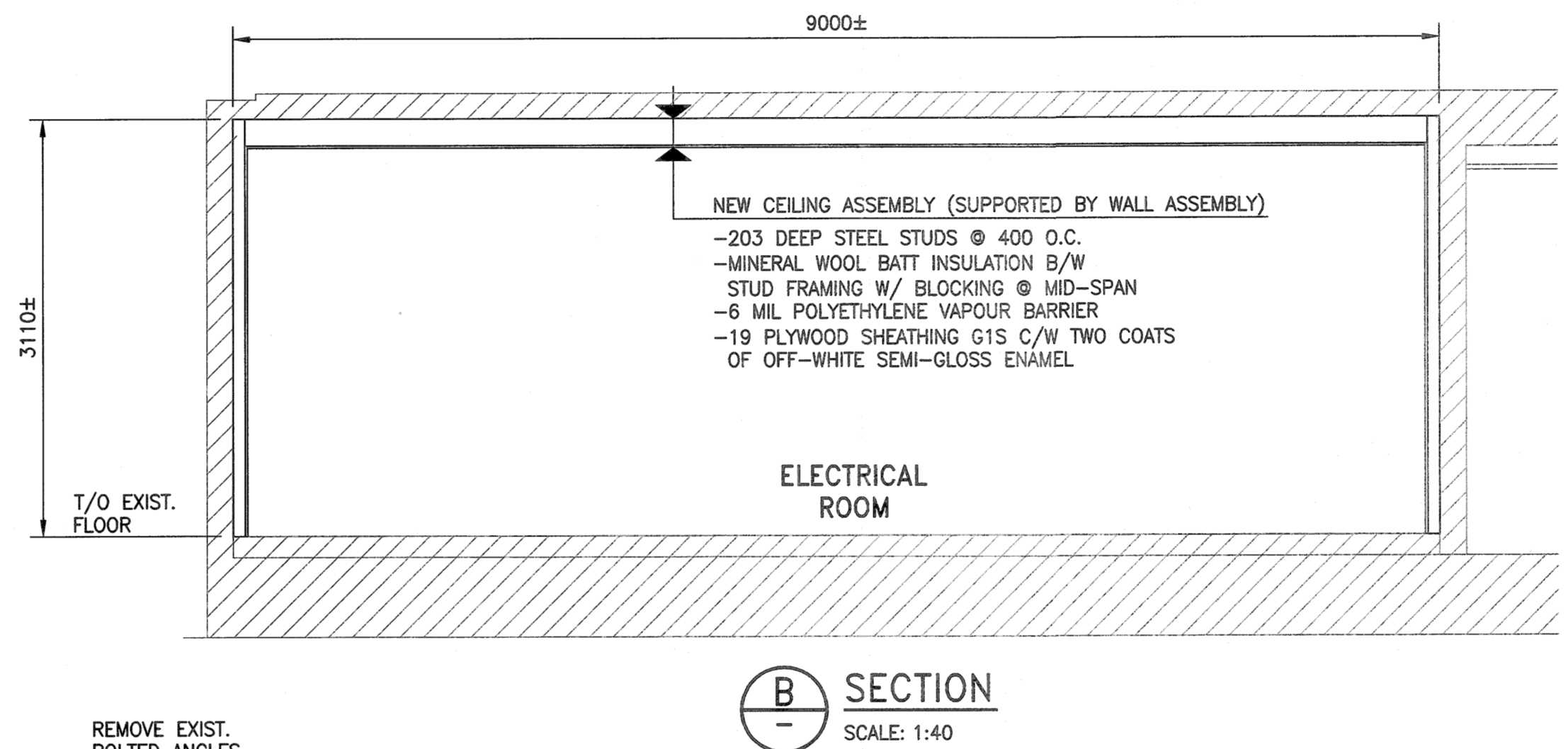
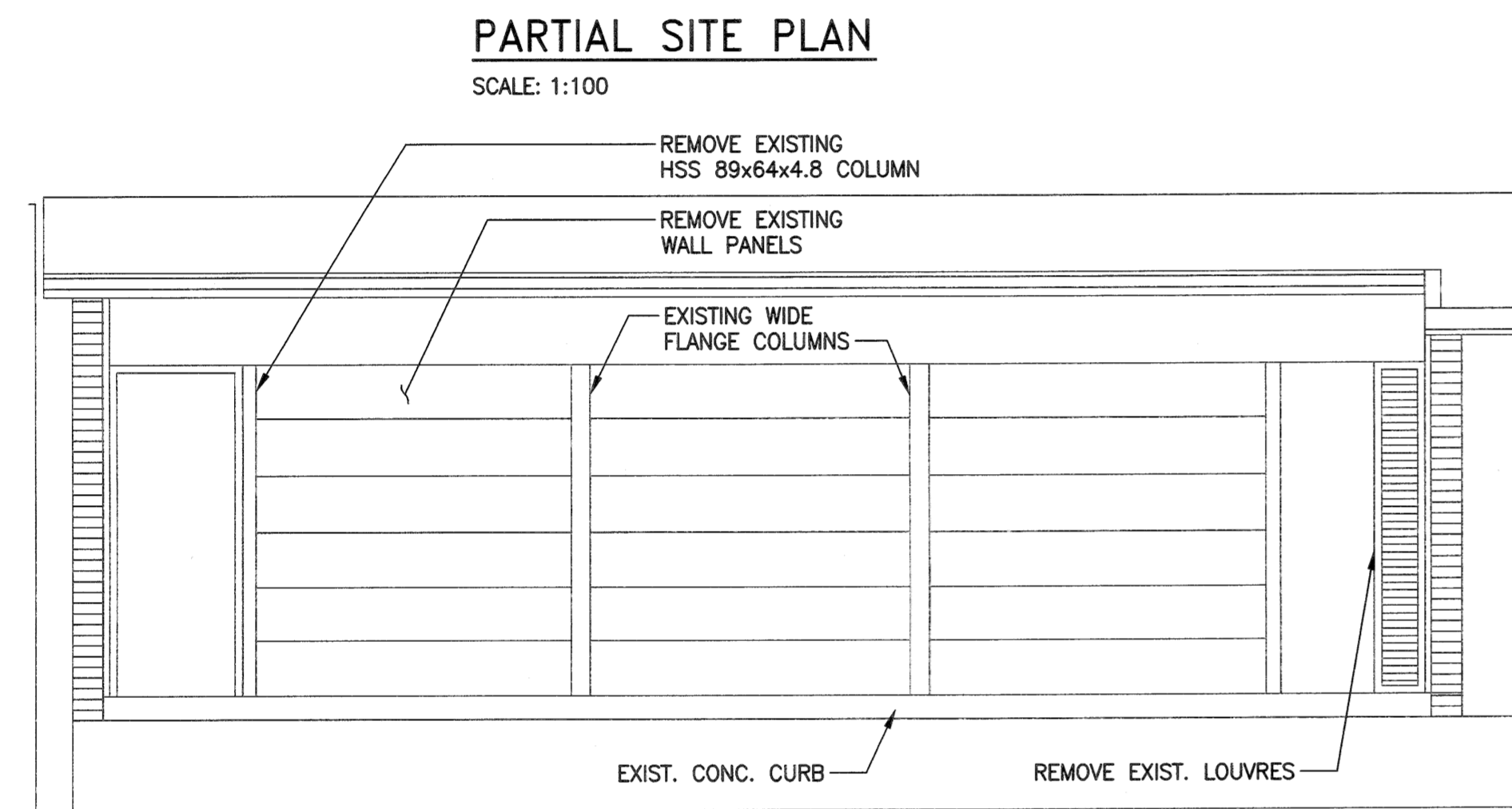
BUILDING CLASSIFICATION: GROUP F3 LOW HAZARD INDUSTRIAL OCCUPANCY.

BUILDING AREA: 24.1 m² (260 SQ. FT.)

OCCUPANT LOAD: 0 PERSONS. (INTERMITTENTLY OCCUPIED BY SERVICE PERSONNEL ONLY).

FIRE RATING: NONE REQUIRED (NBC TABLE 9.10.8.1).

EXITS: ONE EXIT PERMITTED.



DOOR SCHEDULE								HARDWARE								
DOOR NO.	DOOR SIZE	TYPE	MATERIAL	CORE	FINISH	FRAME MATERIAL	FRAME FINISH	FIRE RATING (HOURS)	HINGES (NRP)	LOCK SET	CLOSER	CHECK CHAIN	WEATHERSTRIP	SWEEP	THRESHOLD	KICKPLATE
D101	2-900 x 2100 x 44	SLAB	HOLLOW METAL	INSUL	PAINTED (OFF-WHITE)	STEEL	PAINTED (OFF-WHITE)	-	•	•	•	•	•	•	•	•

ENGINEERS GEOSCIENTISTS MANITOBA
Certificate of Authorization
KGS Group
No. 245

KGS GROUP CONSULTING ENGINEERS

DESIGNED BY: K. DYCK
DRAWN BY: F. VALENCIA
SCALE: AS NOTED
DATE: 2019/05/13

CHECKED BY: [Signature]
APPROVED BY: [Signature]
ISSUED FOR CONSTRUCTION BY: [Signature]
DATE: [Blank]

CONSULTANT NO.: 19-0107-002_S01

00 ISSUED FOR TENDER & CONSTRUCTION 2019/07/17
NO. REVISIONS DATE DESIGN CHECK

THE CITY OF WINNIPEG
WATER AND WASTE DEPARTMENT

CLIFTON FLOOD PUMPING STATION UPGRADES

STRUCTURAL PLAN, SECTIONS & DETAILS

CITY DRAWING NUMBER: 1-0125F-S0002-001
SHEET: 001
REV: 00
SIZE: A1

PROVINCE OF MANITOBA
REGISTERED PROFESSIONAL ENGINEER
K.R. DYCK
Member 31740
2019-02-17