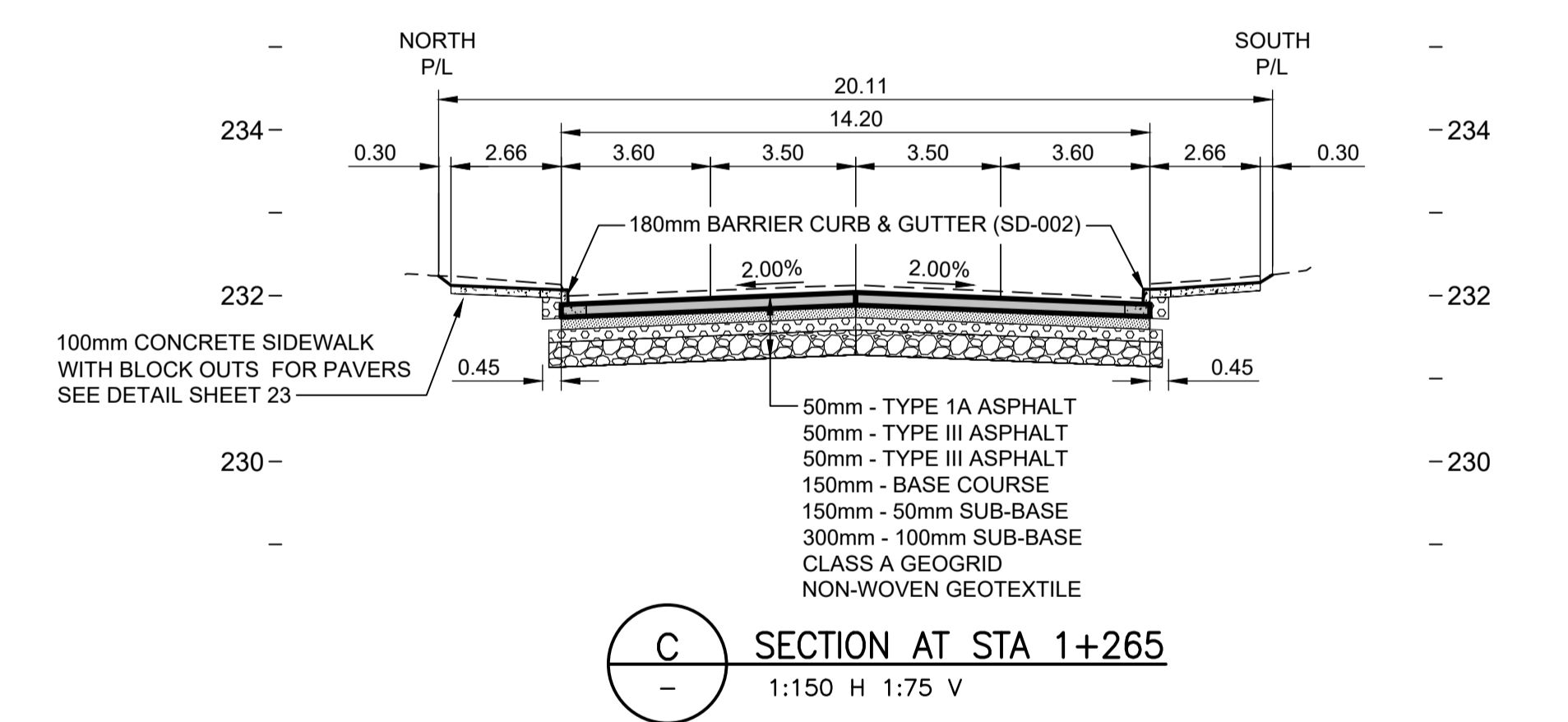
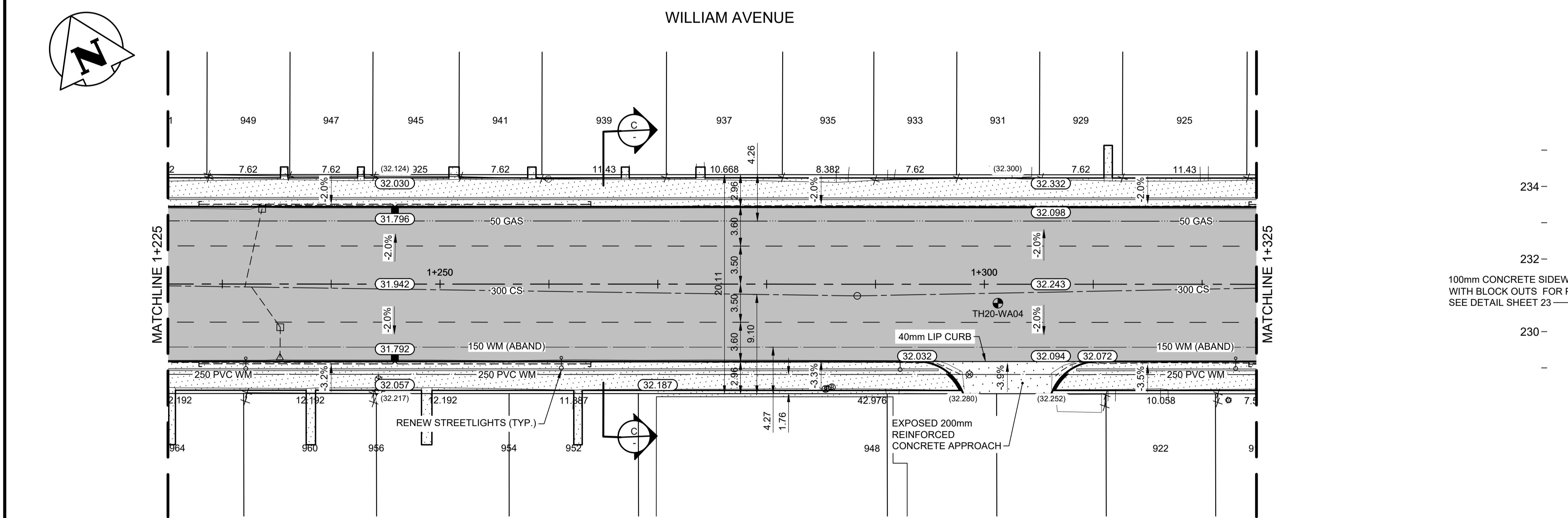


- NOTES:
1. ADJUST EXISTING MANHOLES AS REQUIRED.
  2. ADJUST ALL AFFECTED EXISTING WATERMAIN AND WATER SERVICE VALVES TO GRADE.
  3. FOR CB'S, LEADS AND UNDERGROUND INFO, SEE SHEETS 50 & 51.
  4. INSTALL 18m OF SUBDRAIN EACH SIDE OF LOW POINTS AS PER SD-245 c/w CAPPED ENDS.
  5. PRIVATE APPROACHES ARE 200mm REINFORCED CONCRETE WITH 75mm BASE COURSE, 225mm-50mm SUB-BASE AND NON-WOVEN GEOTEXTILE.
  6. BULLNOSES, APPROACHES AND INTERSECTION RADII ARE TO BE INTEGRAL MODIFIED BARRIER CURB.
  7. FOR TRANSIT STOPS, SEE BLUE TRANSIT DETAIL, SHEET 23.



**WARNING**  
IF POWER EQUIPMENT OR EXPLOSIVES ARE TO BE USED FOR EXCAVATION ON THIS PROJECT THE CONTRACTOR MUST:  
1) NOTIFY THE GAS COMPANY OF THE PROPOSED LOCATION OF EXCAVATION.  
2) TAKE PRECAUTION TO AVOID DAMAGE TO GAS COMPANY INSTALLATIONS.  
SEE PROVINCIAL REGULATION 140/92 FOR DETAILS

**METRIC**  
WHOLE NUMBERS INDICATE MILLIMETRES  
DECIMALIZED NUMBERS INDICATE METRES

EXISTING	LEGEND-PLAN	PROPOSED	EXISTING	LEGEND-PLAN	PROPOSED	EXISTING	LEGEND-PROFILE	PROPOSED
---	WATERMAIN	--- 150 WM	---	HYDRO	---	---	PROFILE	---
+	HYDRANT	+	---	M.T.S.	---	---	NORTH OR WEST GUTTER	---
+	VALVE	+	---	CONCRETE	---	---	SOUTH OR EAST GUTTER	---
---	LAND DRAINAGE SEWER	---	---	ASPHALT	---	---	NORTH MEDIAN GUTTER	---
---	WASTE WATER SEWER	---	---	SIDEWALK	---	---	SOUTH MEDIAN GUTTER	---
○	MANHOLE	○	---	ASPHALT MILL & FILL	---	---	NORTH OR WEST P/L	---
□	CATCH BASIN	□	---	STREET LIGHT	---	---	SOUTH OR EAST P/L	---
▽	CURB INLET/CATCH PIT	▽	---	HYDRO POLE	---	---		
⊙	TRANSIT STOP	⊙	---	SURVEY BAR	---	---		
---	GAS	---	(31.334)	ELEVATION	(32.231)			
---	PROPERTY LINE	---		SIDEWALK RAMP	---			

**LOCATION APPROVED UNDERGROUND STRUCTURES**

NO.	REVISIONS	DATE	BY
2	ISSUED FOR TENDER	21.03.05	S.R.S.
1	ISSUED FOR U/G STRUCTURES REVIEW	21.01.13	S.R.S.
0	ISSUED FOR PRELIMINARY REVIEW	20.07.10	S.R.S.

**Stantec**  
500 - 311 Portage Avenue, Winnipeg MB Canada  
www.stantec.com

DESIGNED BY	M.E.E.	CHECKED BY	M.E.E.
DRAWN BY	A.M.	APPROVED BY	S.R.S.
HOR. SCALE:	1:250	RELEASED FOR CONSTRUCTION:	
VERTICAL:	1:10	DATE	20/05/15

**PRELIMINARY DRAWING**  
NOT TO BE USED FOR CONSTRUCTION  
CONSULTANT DRAWING NO. C-232

**THE CITY OF WINNIPEG**  
PUBLIC WORKS DEPARTMENT  
ENGINEERING DIVISION

2021-2022 - SELKIRK AVE AND WILLIAM AVE  
PAVEMENT RENEWALS  
WILLIAM AVENUE  
STA 1+1+225 TO STA 1+325  
ROAD WORKS - RECONSTRUCTION

SHEET 21 OF 29  
CAD FILE DRAWING NUMBER 08150c-230.dwg  
CITY DRAWING NUMBER P-3534-4

ENGINEERS GEOSCIENTISTS MANITOBA  
Certificate of Authorization  
Stantec Consulting Ltd.  
No. 1301

VA 1171.mxd, 11/17/2019 09:03:00, drawing:0802, sheet: file:07\_civil\08150c-230.dwg, 2021/03/02 2:25:25 AM, User: Civil, Title: