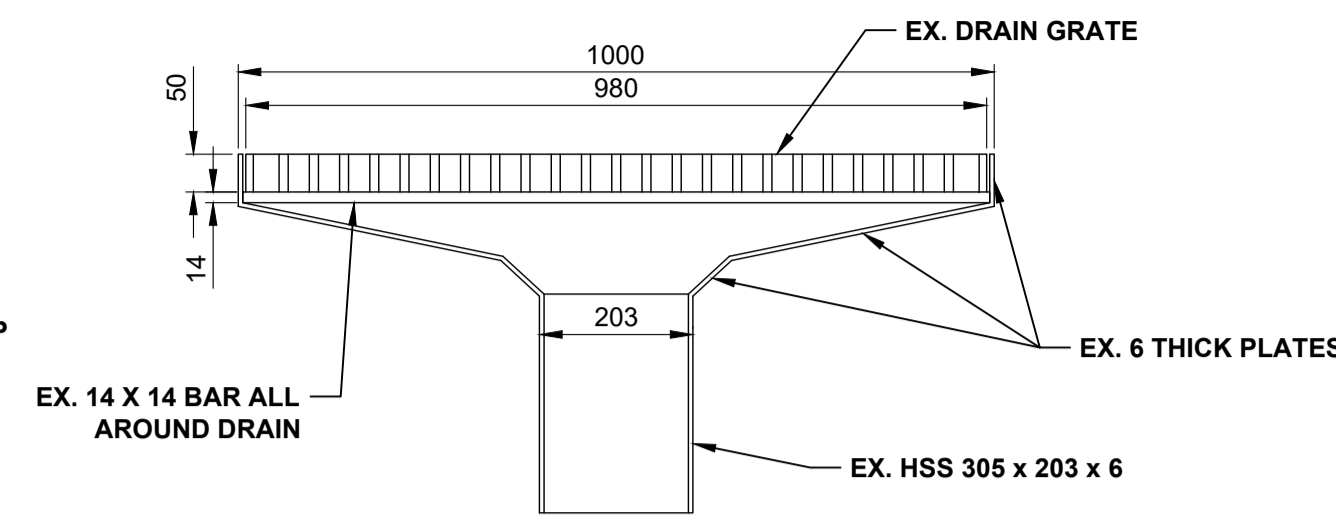
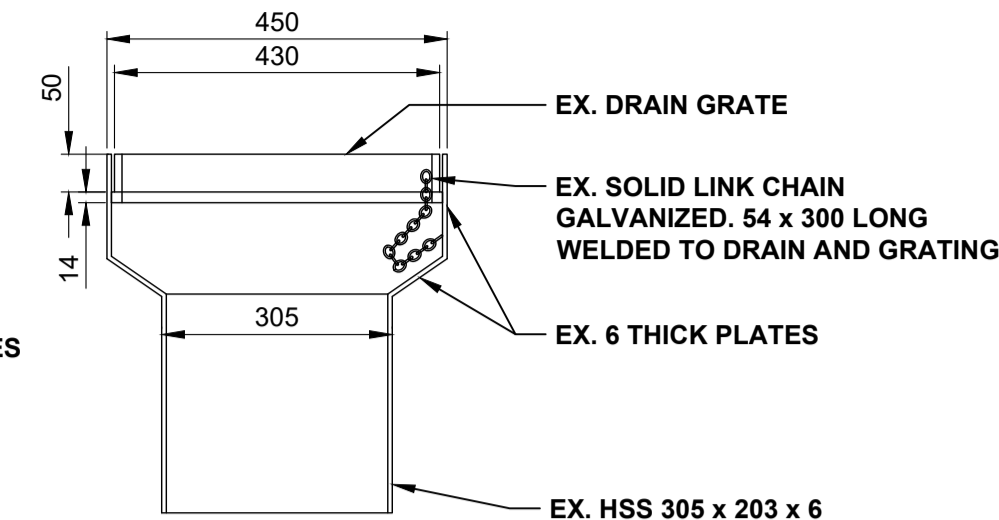


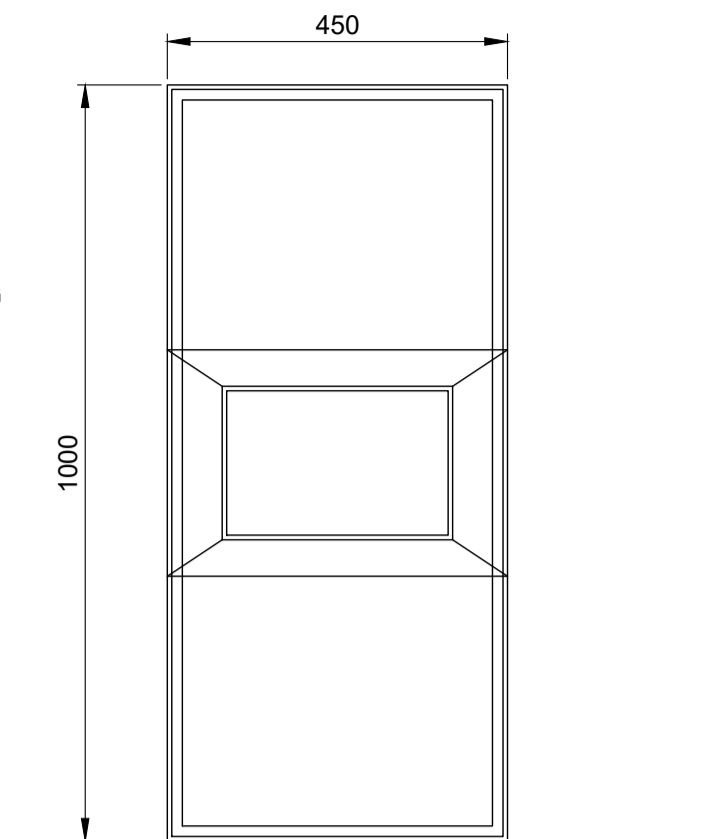
EXISTING DRAIN GRATE
SCALE 1:10



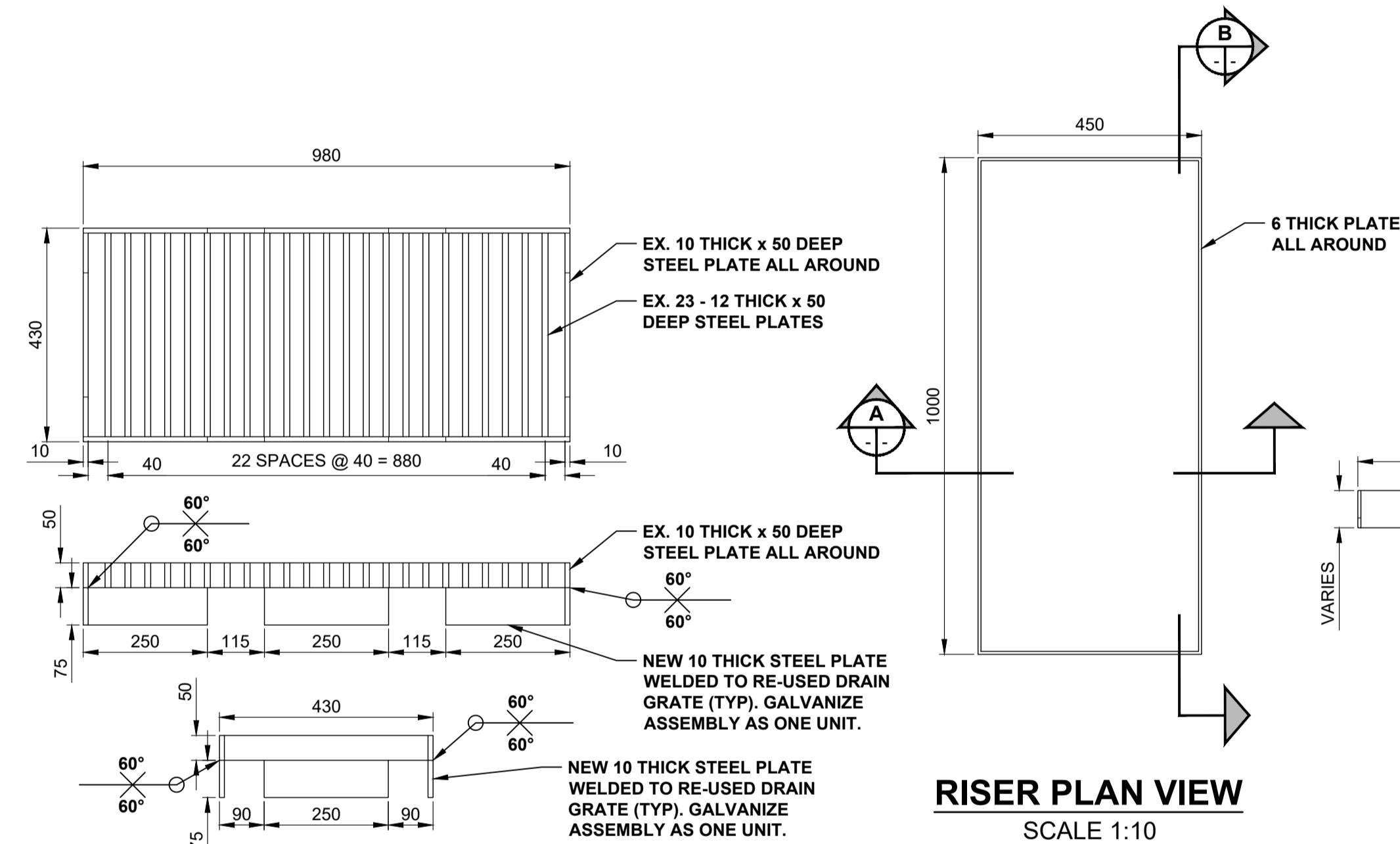
EXISTING DRAIN SIDE VIEW
SCALE 1:10



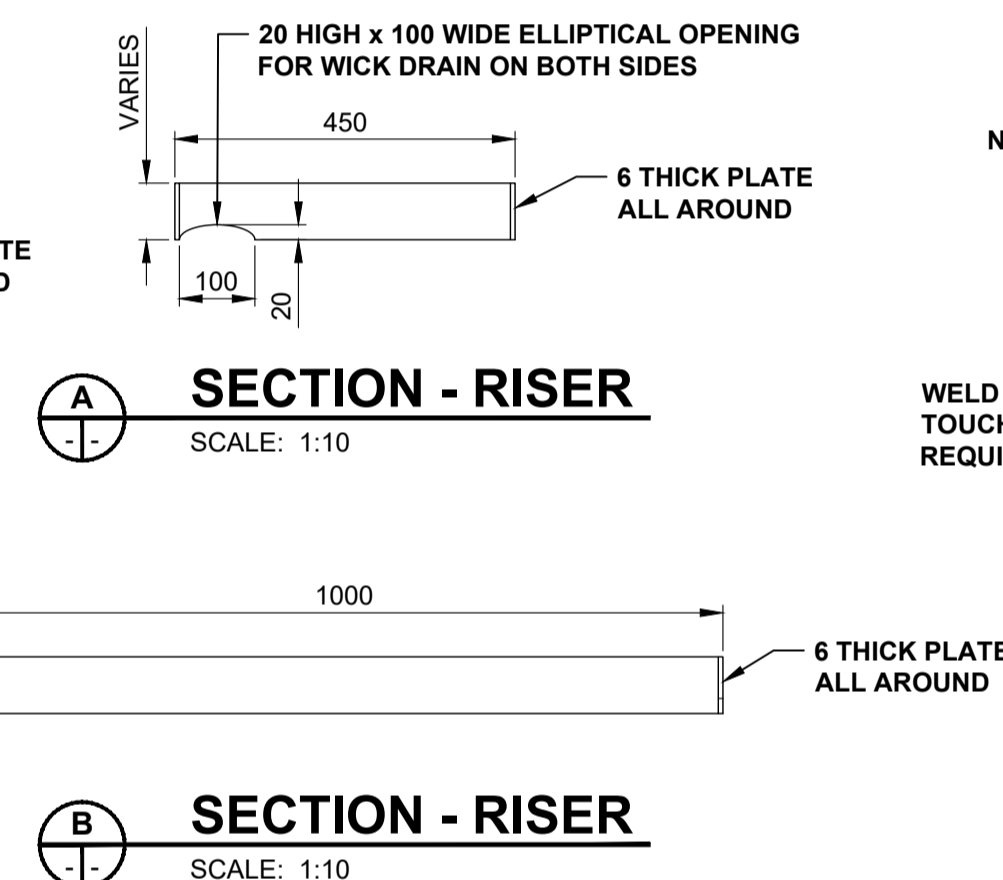
EXISTING DRAIN SIDE VIEW
SCALE 1:10



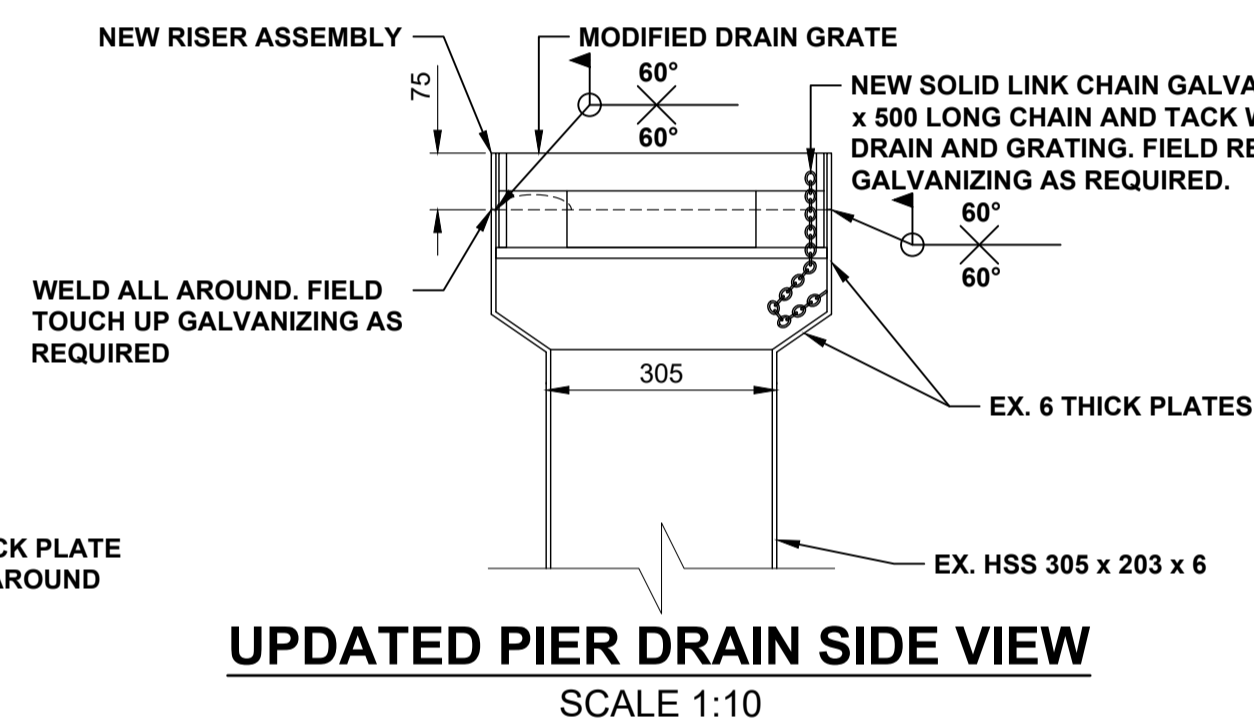
EXISTING DRAIN PLAN VIEW
SCALE 1:10



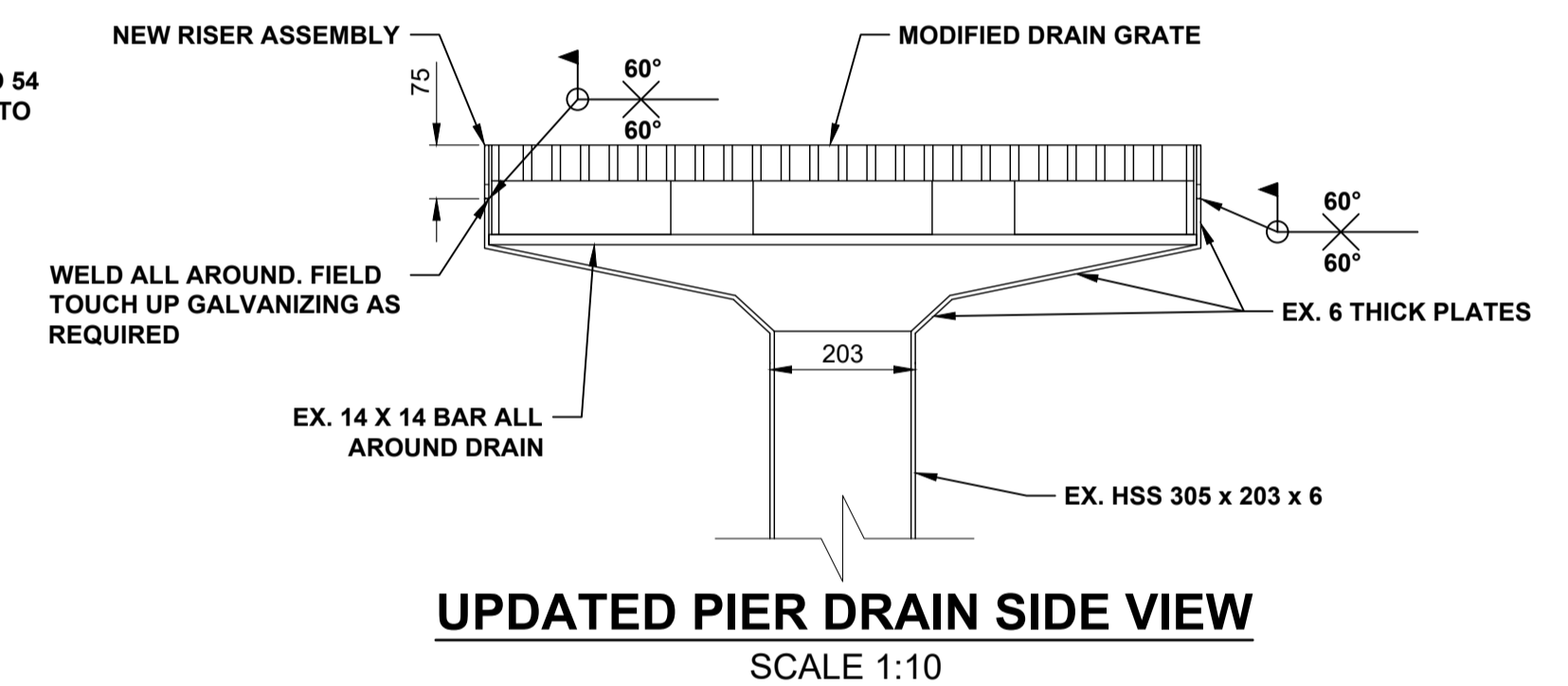
PIER DRAIN GRATE MODIFICATIONS
SCALE 1:10



MODIFIED PIER DRAIN DETAILS



UPDATED PIER DRAIN SIDE VIEW
SCALE 1:10



UPDATED PIER DRAIN SIDE VIEW
SCALE 1:10

NOTE:
• CONTRACTOR TO REFER TO REFERENCE DRAWINGS FOR DETAILS OF EXISTING CONSTRUCTION.

TENDER No. 810-2020

**ENGINEERS
GEO-SCIENTISTS
MANITOBA**
Certificate of Authorization
MORRISON HERSHFIELD
No. 1736

METRIC
WHOLE NUMBERS INDICATE MILLIMETRES
DECIMALIZED NUMBERS INDICATE METRES

LOCATION APPROVED UNDERGROUND STRUCTURES

BM 28-022 N.W. Cor. Nairn Ave. & Grey St., in Valve Box, Bolt in
ELEV. 231.341 m 4.8 m Conc. pile, 2.4 m E. of W.L. of Grey St. & 0.6 m N. of N.L. of Nairn Ave. produced from the E.

DATE: 21/01/15

DESIGNED BY	AGG	CHECKED BY	BE
DRAWN BY	ALP	APPROVED BY	BE
ISSUED FOR TENDER	21/02/09	BE	
ISSUED FOR REVIEW	21/02/04	BE	
ISSUED FOR REVIEW	21/01/18	BE	
REVISIONS	YYMMDD	BY	DATE

MORRISON HERSHFIELD

DESIGNED BY: AGG, CHECKED BY: BE
DRAWN BY: ALP, APPROVED BY: BE

HOR SCALE: AS SHOWN, VERT SCALE: AS SHOWN

DATE: 21/01/15

PROFESSIONAL'S SEAL

PRELIMINARY DRAWING

NOT TO BE USED FOR CONSTRUCTION

CONSULTANT FILE NAME: 2021423-NAIRN-DT-05.DWG

THE CITY OF WINNIPEG
PUBLIC WORKS DEPARTMENT
ENGINEERING DIVISION

NAIRN AVENUE OVERPASS DECK REHABILITATION

DECK DRAIN MODIFICATIONS 2 OF 2

CITY DRAWING NUMBER: B121-21-11
SHEET 11 OF 12
DRAWING NUMBER: 11