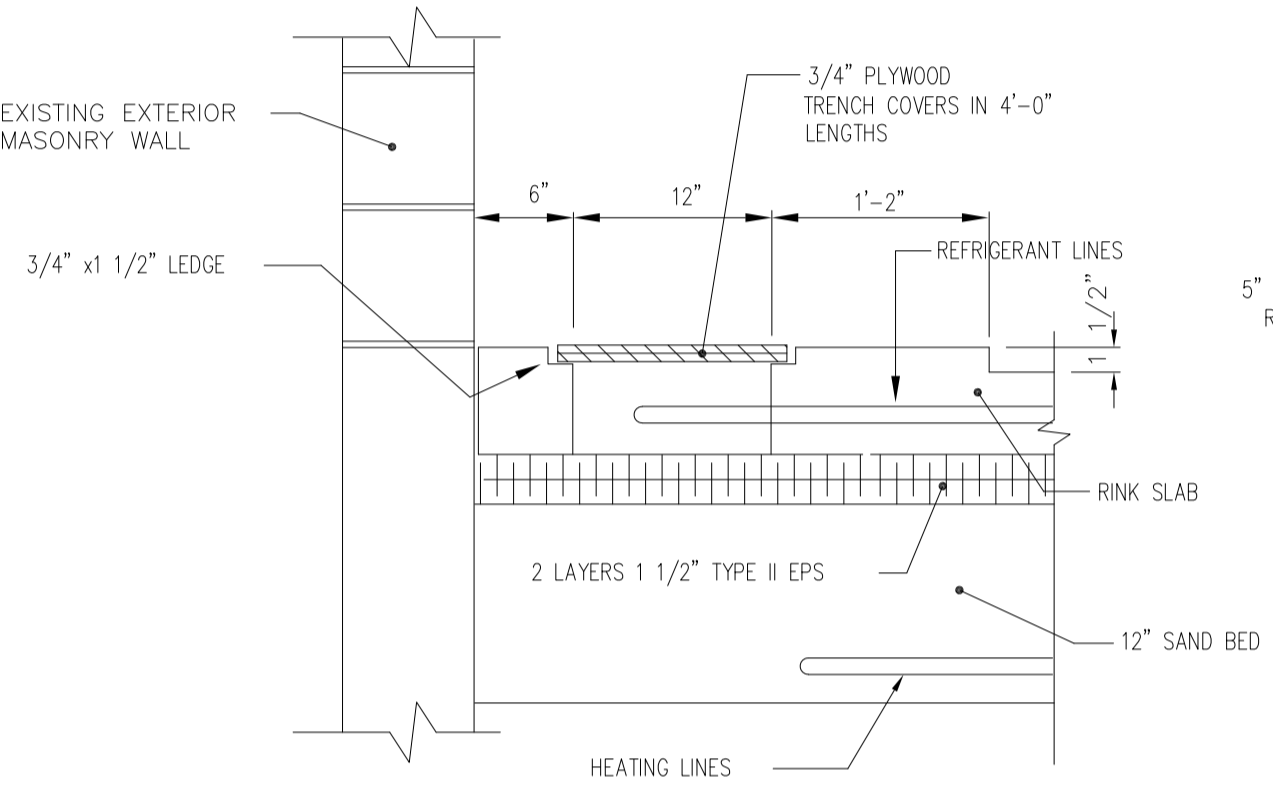
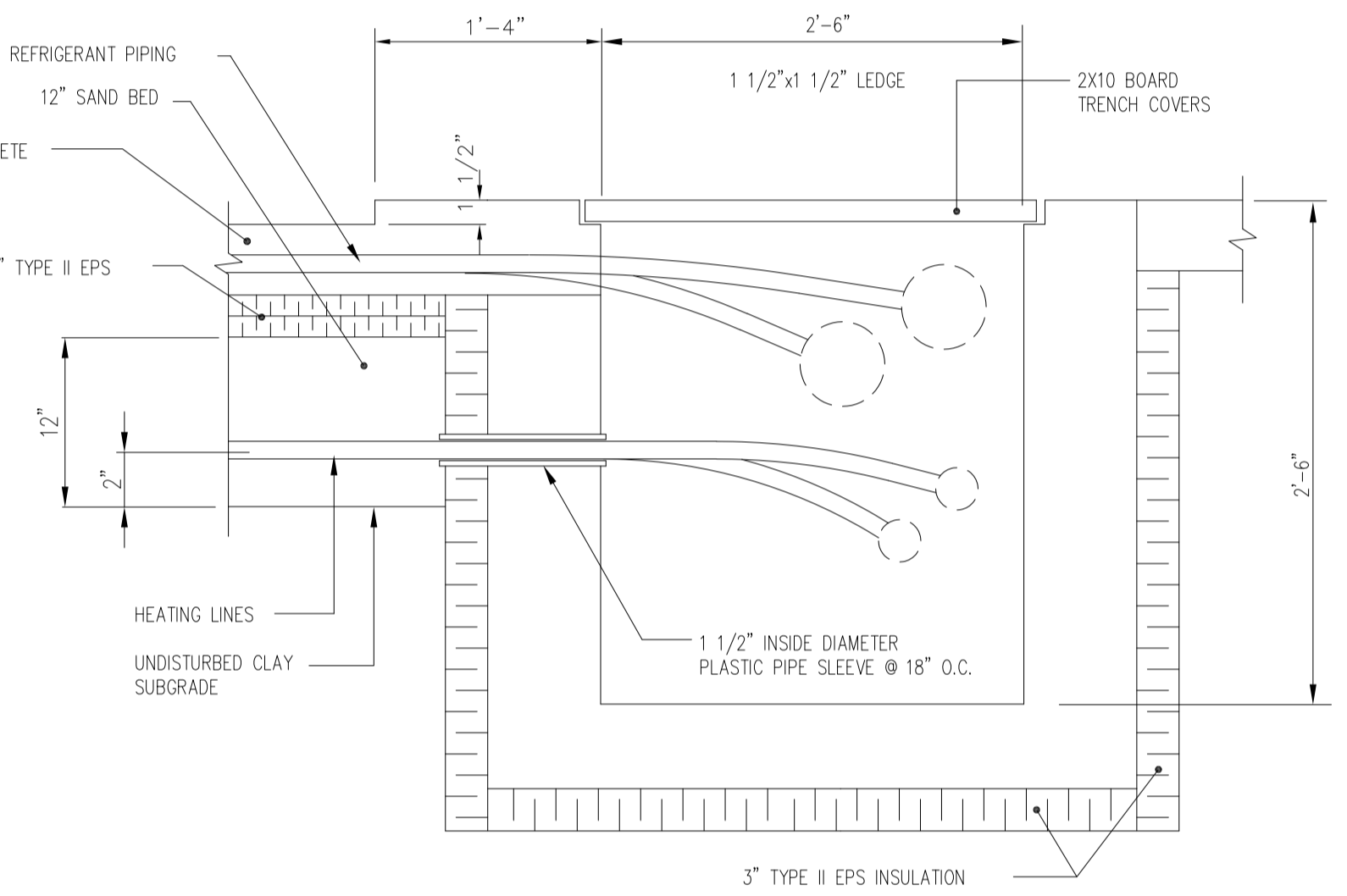


DETAIL 13  
A-5

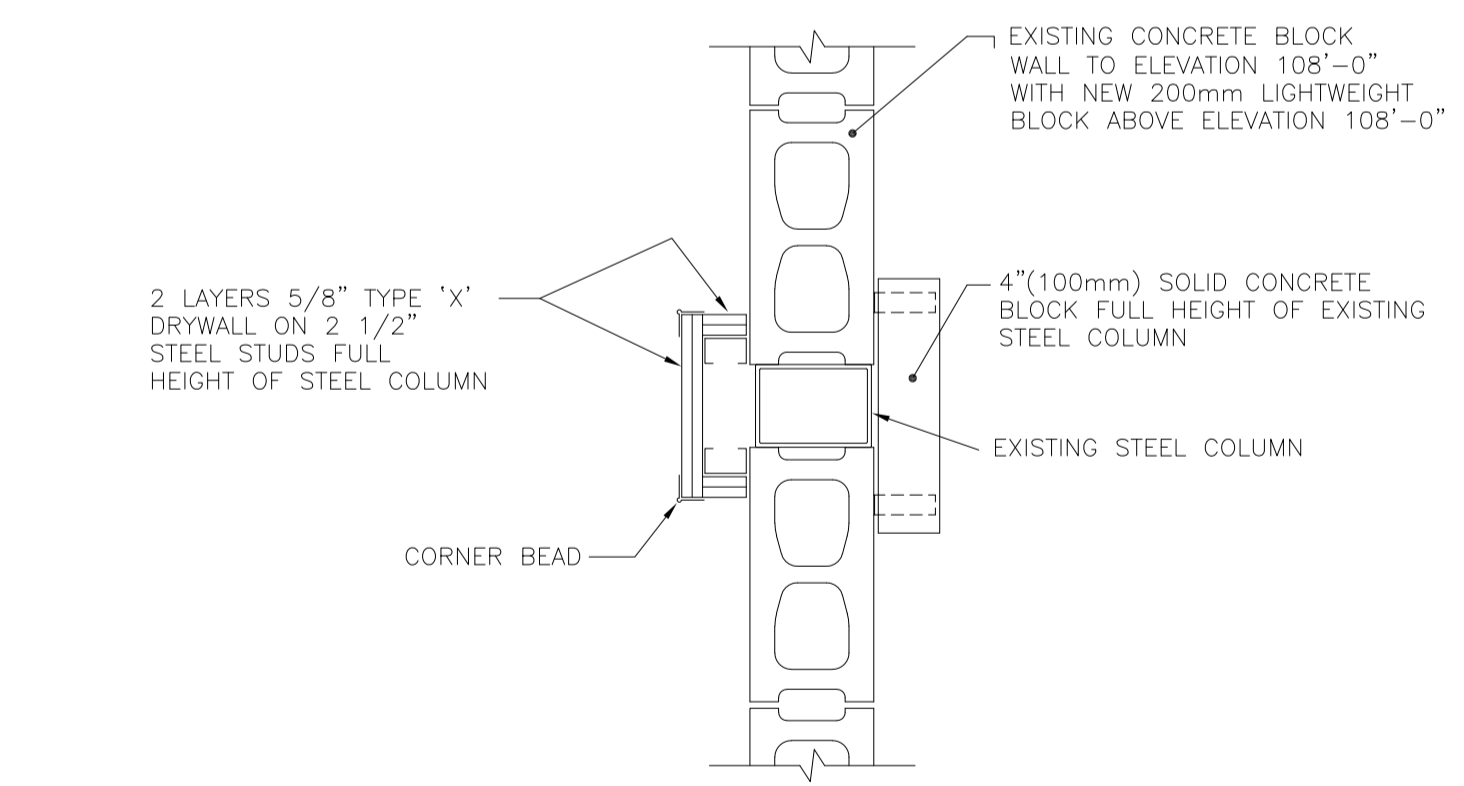
DETAIL 14  
A-5



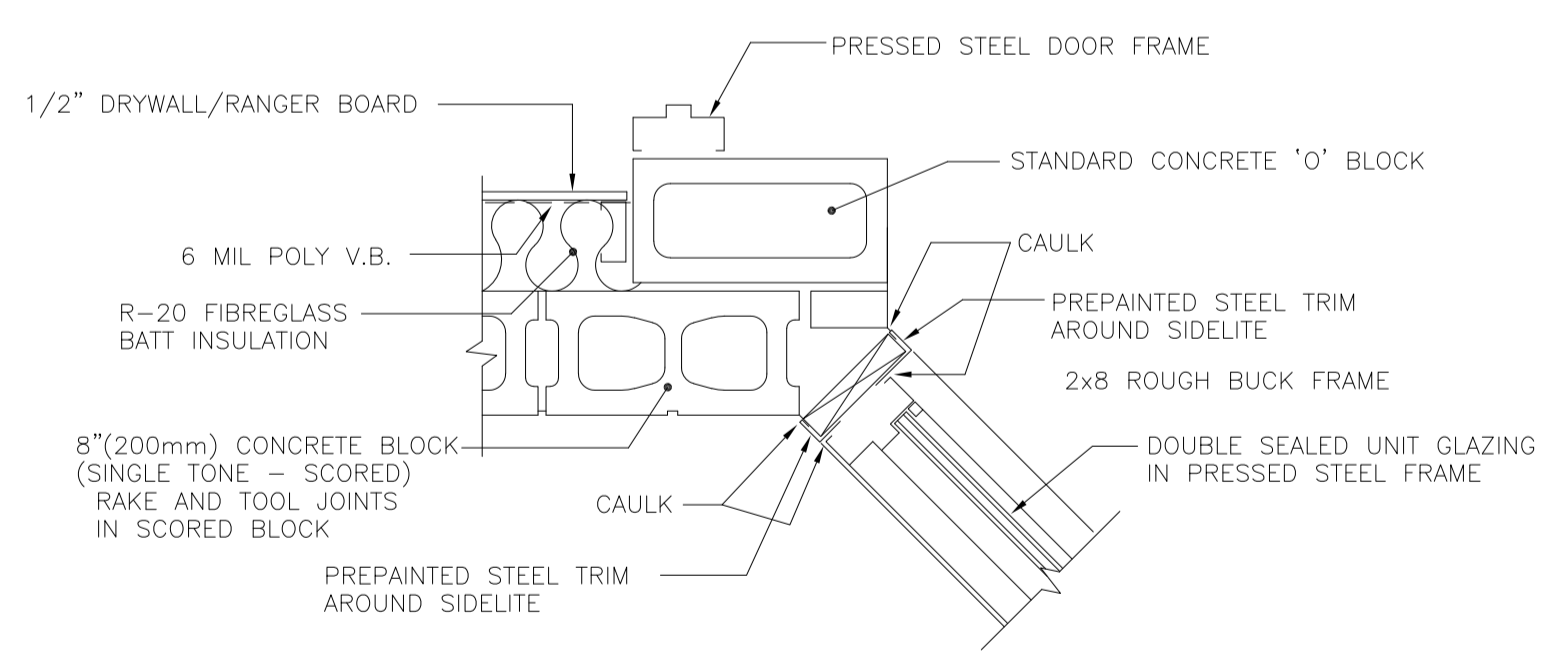
DETAIL 15  
A-5



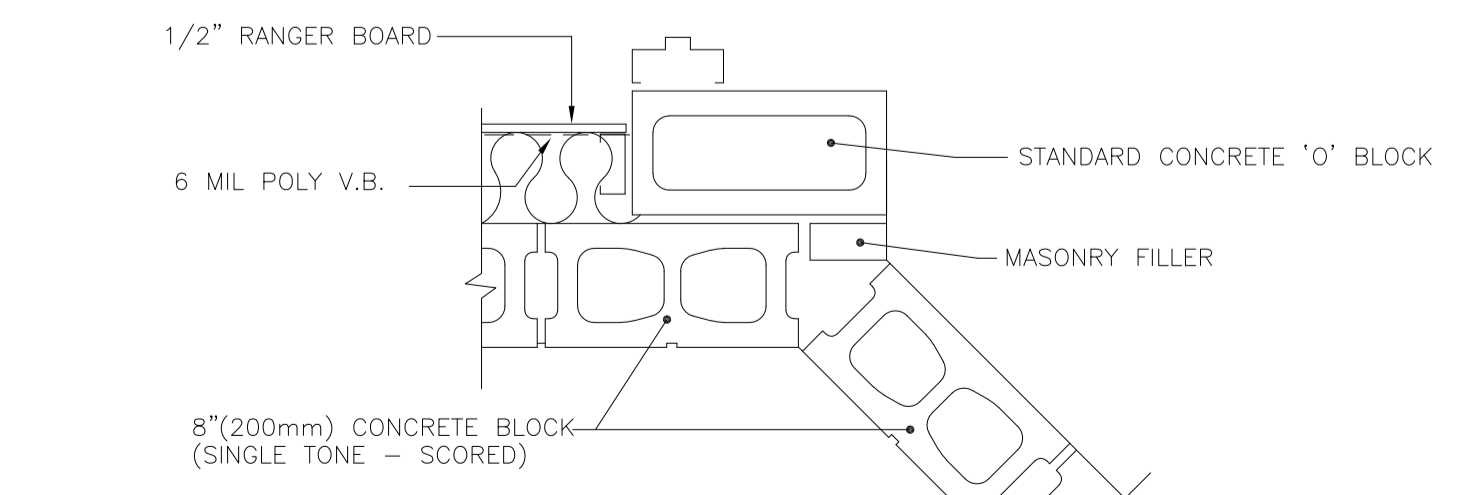
DETAIL 16  
A-5



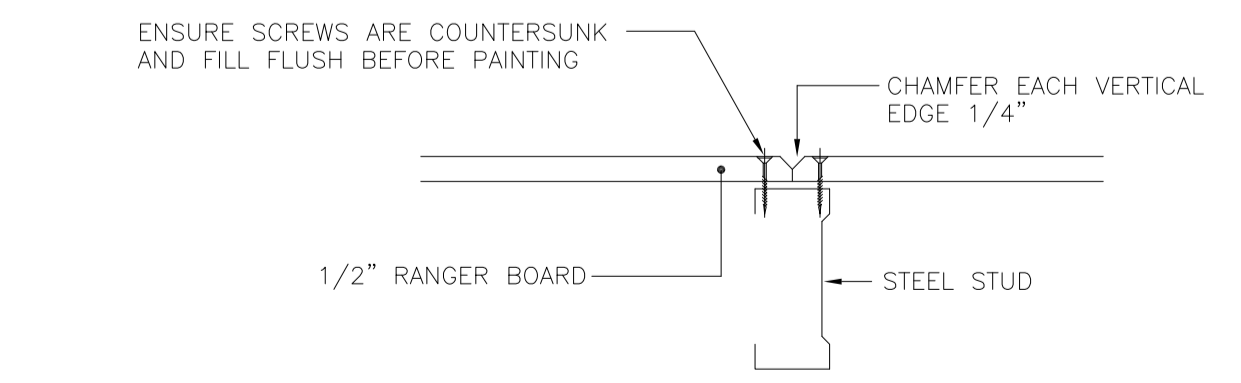
DETAIL 17  
A-2



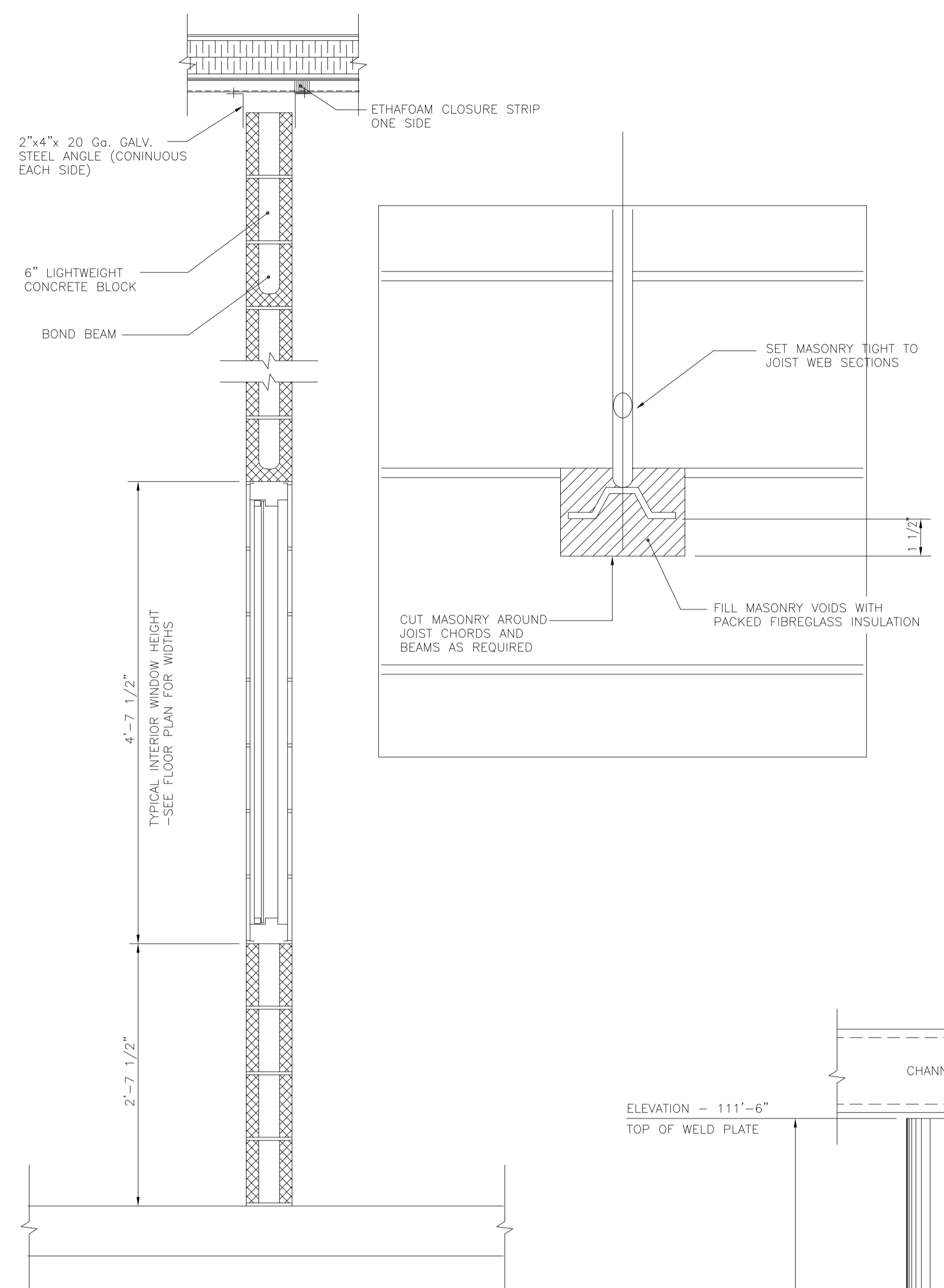
DETAIL 18  
AT SIDELIGHT  
A-2



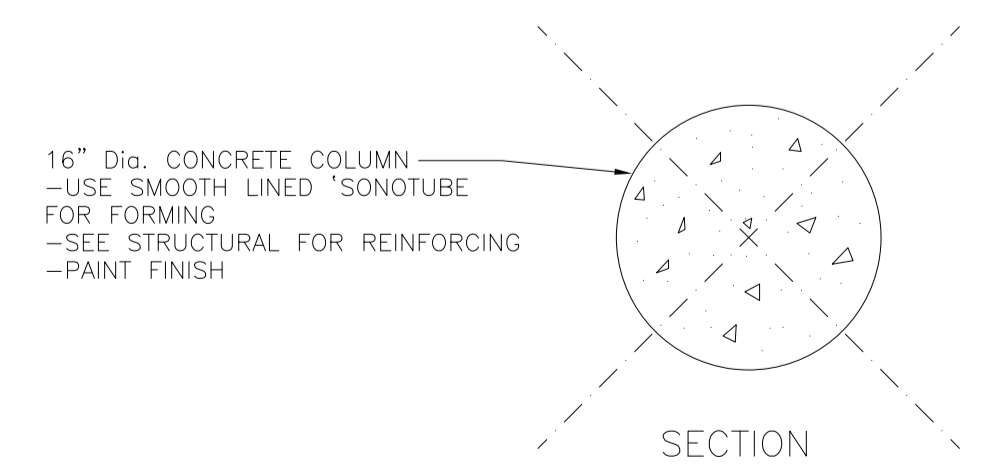
DETAIL 18  
AT MASONRY  
A-2



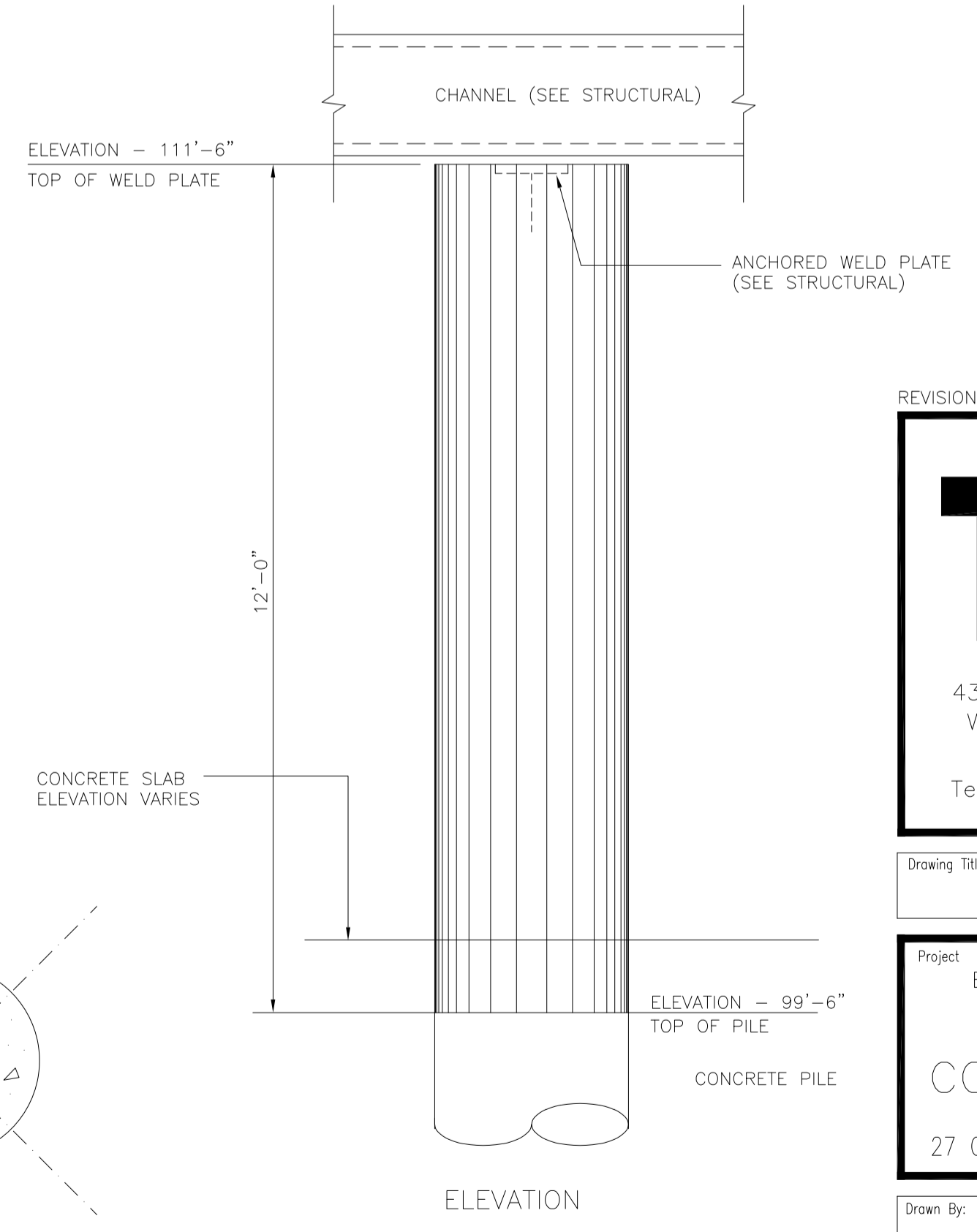
TYPICAL JOINT DETAIL  
(RANGER BOARD)



DETAIL 19  
A-2



SECTION



DETAIL 20  
A-2

REVISION 1 - ISSUED FOR CONSTRUCTION

**THOMAS**  
Design Builders Ltd.  
430-D DOVERCOURT DRIVE  
WINNIPEG, MANITOBA  
R3Y 1G4  
Telephone: (204) 989-5400

Drawing Title

Project  
**BUILDING ADDITION FOR:  
GLENWOOD  
COMMUNITY CLUB**  
27 OVERTON ST. ST. VITAL

Drawn By: <i>PD</i>	Date: APRIL 24, 1998
Checked:	Scale: 1" = 1'-0" U/N
Rev 1 MAY 25/98	Dwg. 98111 A-7