

CONTACT "CLICK BEFORE YOU DIG MANITOBA" AT
ClickBeforeYouDigMB.com
THREE FULL WORKING DAYS
 PRIOR TO CONSTRUCTION FOR LOCATION OF EXISTING WATER, WASTEWATER, LAND DRAINAGE UTILITIES AND MANITOBA HYDRO UTILITIES

NOTE: INDICATION OF ALL UNDERGROUND UTILITIES IS FOR ILLUSTRATIVE PURPOSES ONLY. CONTACT THE APPLICABLE UTILITIES FOR SPECIFIC PLANT LOCATIONS AND CLEARANCES.

PRELIMINARY NOT TO BE USED FOR CONSTRUCTION

INFORMATION PERTAINING TO THE SIZE AND LOCATION OF MANITOBA HYDRO FACILITIES AND INSTALLATIONS IS ILLUSTRATIVE AND SHOULD NOT BE RELIED ON FOR THE PURPOSES OF ANY ACTIVITY BEING CONDUCTED AT OR NEAR THE IDENTIFIED HYDRO INSTALLATIONS. ALL LOCATIONS AND EQUIPMENT MUST BE VERIFIED BY APPROPRIATE HYDRO DISTRICT OFFICES PRIOR TO ANY PHYSICAL ACTIVITY UNDERTAKEN AT OR NEAR HYDRO INSTALLATIONS. A CURRENT WORK CLEARANCE REQUEST FORM CAN BE OBTAINED FROM THE DISTRICT OFFICE AND MUST BE ON SITE PRIOR TO THE COMMENCEMENT OF ANY EXCAVATIONS.



NO.	DATE	REVISION	BY	KCD.	APP.

DRAWING NUMBER	REFERENCE DRAWINGS	DRAWN	CHECK
x	C.O.W. APPROVED DRAWING	NTW	

SCALE	DATE
1:750	2021 01 22

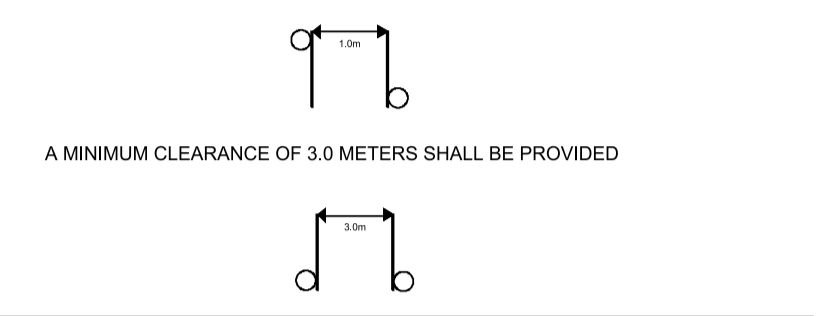
AREA NUMBER	STATION NUMBER	FEDER NUMBER	SYSTEM VOLTAGE
5306	1517	W68	2.4/4.16KV

MANITOBA HYDRO DISTRIBUTION PLANNING & DESIGN	
WO# P:34431	NETWORK # 4306633
DISTRICT: ST BONIFACE	
MUNROE AVE FROM HENDERSON HWY TO WATT ST	
CONTRACTOR TO REPLACE EXISTING UNDERGROUND STREET LIGHTING PLANT	

NOTES :

CONSTRUCTION STANDARDS
 TO BE CONSTRUCTED IN ACCORDANCE WITH MANITOBA HYDRO DISTRIBUTION AND SUBTRANSMISSION STANDARDS. LATEST REVISION NO MAJOR CHANGE SHALL BE MADE WITHOUT APPROVAL OF THE DESIGN ENGINEER OR DELEGATE.

CITY OF WINNIPEG REQUIREMENTS:
 WATER AND WASTE DEPARTMENT APPROVAL SUBJECT TO THE FOLLOWING NOTES:
 A MINIMUM CLEARANCE OF 1000 MILLIMETERS SHALL BE PROVIDED BETWEEN THE UNDERSIDE OF ANY EXISTING WATERMAIN OR SEWERMAIN PIPE AND THE TOP OF THE PROPOSED WORKS
 OR
 A MINIMUM CLEARANCE OF 500 MILLIMETERS SHALL BE PROVIDED BETWEEN THE UNDERSIDE OF THE PROPOSED WORKS AND THE TOP OF ANY EXISTING WATERMAIN OR SEWERMAIN PIPE
 A MINIMUM LATERAL CLEARANCE OF 1.0 METER SHALL BE PROVIDED BETWEEN THE NEAREST EDGE OF THE PROPOSED WORKS AND THE NEAREST EDGE OF ANY EXISTING WATERMAIN, WATERMAIN VALVE, HYDRANT, SEWERMAIN OR SEWER MANHOLE.



REEL NUMBER	MANUFACTURER	MANUFACTURE DATE

AUTHORITY	NOTED	NOT REQUIRED	OBTAINED
DISTRICT	X		
S.C.C.		X	
EASEMENTS		X	
GAS		X	
M.T.S.		X	
SHAW		X	
RAILWAY		X	
DEPT OF HIGHWAYS		X	
CITY OF WINNIPEG	X		

CONTACT	NAME	PHONE
DESIGN	NICK WIELER	284-8100 ext.1232
DISTRICT ENG TECH	TODD FOUNTAIN	360-7467
ENERGY SERVICES ADVISOR	DARRYL STOCKI	360-7715
UG CONSTRUCTION	BILL AMMETER	981-8356
O/H CONSTRUCTION	WAYNE IRELAND	771-5212
CUSTOMER CONTRACT	BOB FOUGERE	360-7159
CONNECTIONS	ALVARO SILVA	360-6214
TEMP. STRINGING	TERRY TABAK	360-7521

LEGEND	DESCRIPTION
MAGENTA	PROPOSED TRENCH
RED	PROPOSED OBJECT
PINK	OBJECT TO BE ABANDONED
GREEN	OBJECT TO BE SALVAGED
BLACK	EXISTING OBJECT
L= ANNOTATION	1 - #4 AL CN STREET LIGHTING CABLE
LL= ANNOTATION	1 - 1/3 TRIPLEX STREET LIGHTING CABLE

INSTALLED			
Quantity	Fixture Type	Wattage	Pole Type
14	LED	130	EXCLUSIVE

REMOVED			
Quantity	Fixture Type	Wattage	Pole Type
14	LED	130	EXCLUSIVE

LED CONVERSION CHART		
HPS WATTAGE	EQUIVALENT LED WATTAGE	CATALOG NUMBER
100	73	ERS10C3E1540
150	95	ERS10C3E1740
250	138	ERS20H3E1540
400	209	ERS30N3E1540

BANNERS AND ASSOCIATED HARDWARE TO BE REMOVED AND RETURNED TO THE CITY OF WINNIPEG, 1277 PACIFIC AVENUE WITH AN ITEMIZED LIST AND QUANTITIES.