

MATERIALS

COMPOSITE SLATS:
- 89mm x 89mm COMPOSITE BOARDS
- CEDAR TONE FINISH

METAL OPTIONS:

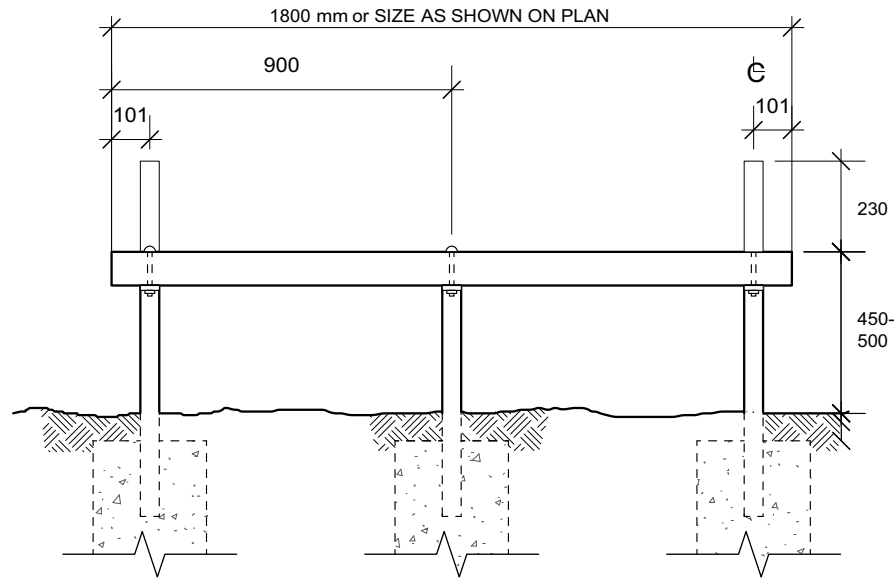
- GALVANIZED - Product # 52501086GLV

Drawing Title:

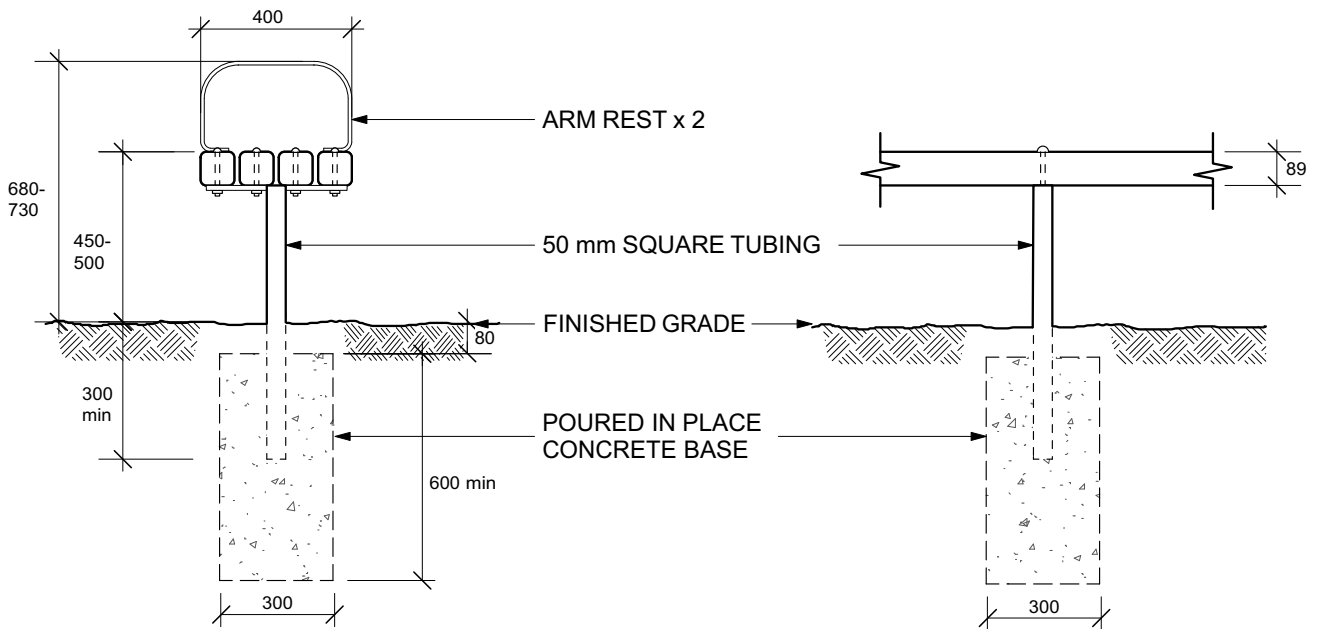
**TACHE BACKLESS BENCH
COMPOSITE WITH ARMS**

Drawing No:

SCD-121C



FRONT ELEVATION



SIDE ELEVATION

SUPPORT DETAILS

DIMENSIONS SHOWN ARE IN MILLIMETRES UNLESS OTHERWISE SPECIFIED

REVISION: 3
DATE: August 06, 2020
SCALE: N.T.S.
DRAWN BY: GZ

The City of Winnipeg
Planning, Property and Development Department
Planning and Land Use Division
Unit 15 - 30 Fort Street, Winnipeg, MB, R3C 4X5

