

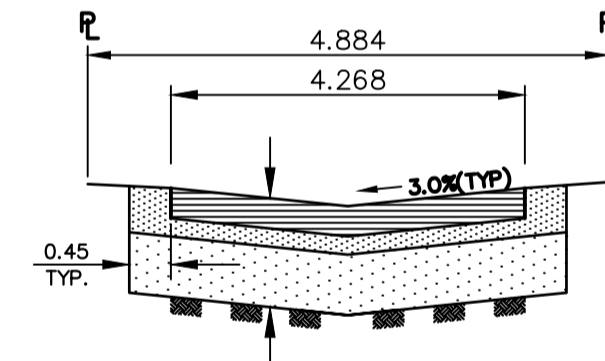
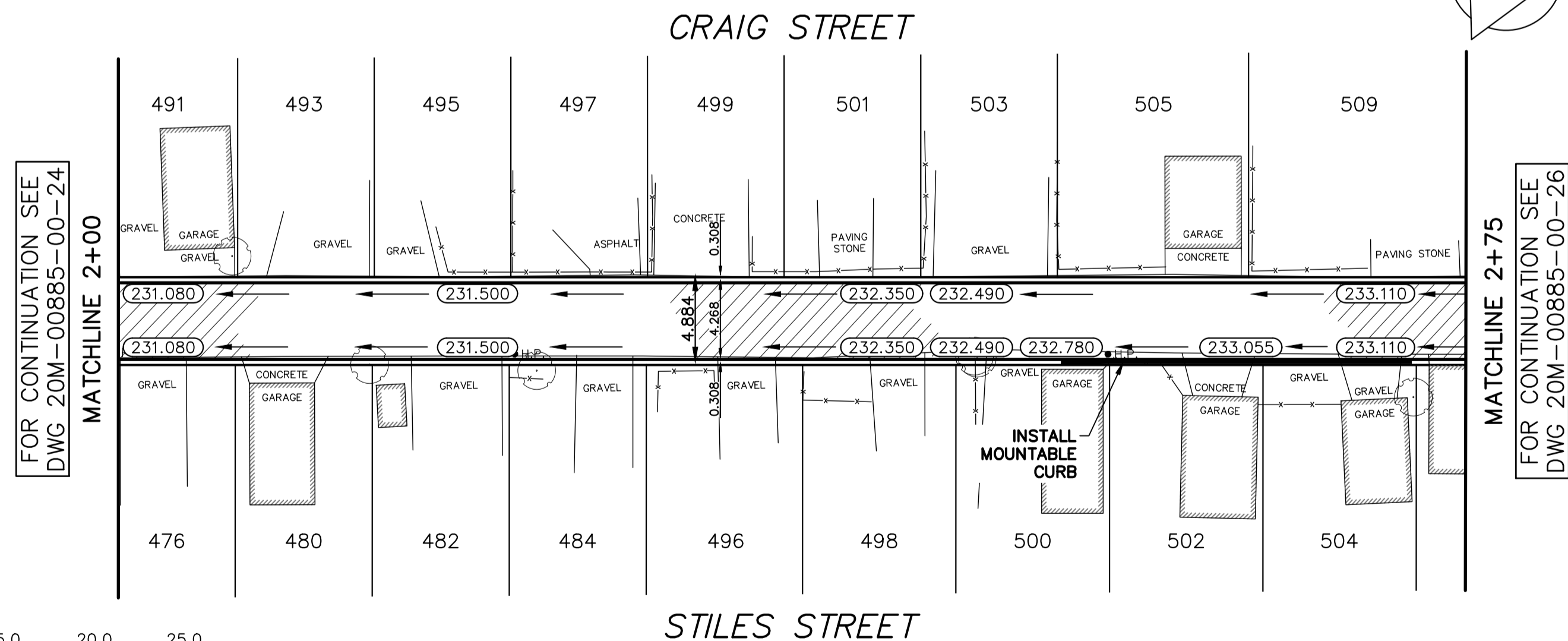
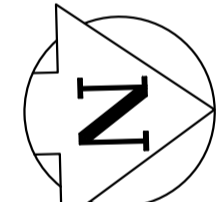
- NOTES:**
1. ALL WORK AND MATERIALS TO BE IN ACCORDANCE WITH THE LATEST REVISION OF THE CITY OF WINNIPEG STANDARD CONSTRUCTION SPECIFICATION.
 2. CONTRACTOR TO CONFIRM THE LOCATION OF ALL UTILITIES/SERVICES IN THE FIELD PRIOR TO CONSTRUCTION.
 3. CONTRACTOR TO AVOID DAMAGE TO EXISTING TREES WITHIN THE LIMITS OF THE ALLEY RIGHT OF WAY AS OUTLINED IN THE BID OPPORTUNITY.
 4. HYDRO POLES AND ANCHORS REQUIRING TEMPORARY SUPPORT TO BE DONE AT THE EXPENSE OF THE CONTRACTOR AS REQUIRED.
 5. WHERE UNSTABLE SUB-GRADES ARE ENCOUNTERED, ADDITIONAL EXCAVATION/SUB-BASE AND INSTALLATION OF GEOGRID TO BE DETERMINED BY THE CONTRACT ADMINISTRATOR AND CONSTRUCTED IN ACCORDANCE W/ CW-3110.
 6. PROPOSED ELEVATIONS GIVEN ARE FOR EDGE OF PAVEMENT.
 7. ISOLATE EXISTING HYDRO POLES AS PER SD-228C.
 8. RENEW CURB AND SIDEWALK AS DIRECTED BY THE CONTRACT ADMINISTRATOR.
 9. MODIFIED BARRIER CURB TO BE CONSTRUCTED AT ALL BACK LANE RADII.
 10. ALL EXISTING PRIVATE APPROACHES TO BE RENEWED AS DIRECTED BY THE CONTRACT ADMINISTRATOR.
 11. ADJUSTMENTS TO PROPOSED CROSSFALL, WHERE REQUIRED, ARE TO BE DETERMINED BY THE CONTRACT ADMINISTRATOR TO SUIT EXISTING DRIVEWAYS, APPROACHES, ETC.
 12. ALL BOULEVARD RESTORATION TO BE SODDED UNLESS OTHERWISE NOTED.
 13. INSTALLATION OF LIP CURBS AND THEIR LIMITS THROUGH PRIVATE APPROACHES TO BE DETERMINED BY THE CONTRACT ADMINISTRATOR.
 14. REMOVE, ADJUST, AND SUPPLY PRECAST SIDEWALK BLOCKS AS DIRECTED BY THE CONTRACT ADMINISTRATOR.

NOTE: CHAINAGES SHOWN ARE ALONG CL OF RIGHT-OF-WAY

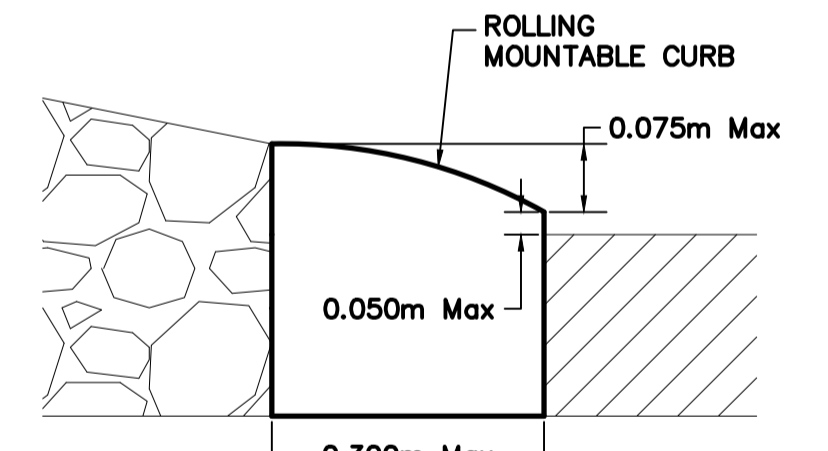
ALLEY PAVEMENT PROFILE

SCALE: 1:250 HOR
1:10 VER

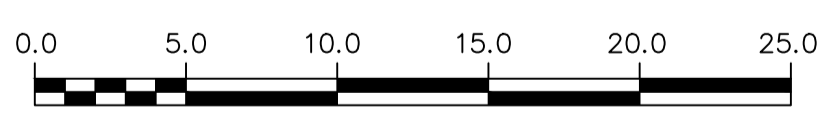
THERE SHALL BE NO INCREASE IN CUMULATIVE PEAK FLOW ENTERING CS AND/OR SRS SYSTEMS AS A RESULT OF CONSTRUCTION WORKS SHOWN.



50mm TYPE 1A ASPHALT
75mm TYPE III ASPHALT
100mm BASE COURSE
200mm - 50mm SUBBASE
SUBGRADE GEOGRID
SEPARATION GEOTEXTILE ON PREPARED SUBGRADE



TYPICAL MOUNTABLE CURB DETAIL
SCALE: N.T.S.



METRIC

WHOLE NUMBERS INDICATE MILLIMETRES
DECIMALIZED NUMBERS INDICATE METRES
UNLESS OTHERWISE NOTED

FOR TENDER PURPOSES ONLY
NOT FOR CONSTRUCTION

**ENGINEERS
GEOSCIENTISTS
MANITOBA**
Certificate of Authorization
WSP Canada Inc.
No. 5750

EXISTING	LEGEND - PLAN	PROPOSED	EXISTING	LEGEND - PLAN	PROPOSED	EXISTING	LEGEND - PROFILE	PROPOSED
---	WATERMAIN	---	---	M.T.S.	---	---	WATERMAIN	---
---	HYDRANT	---	---	CONCRETE/ASPHALT	---	---	VALVE	---
---	VALVE	---	---	SIDEWALK	---	---	LAND DRAINAGE SEWER	---
---	CURB STOP	---	---	CURB RAMP	---	---	WASTE WATER SEWER	---
---	LAND DRAINAGE SEWER	---	---	ELEVATIONS	---	---	CENTERLINE	---
---	WASTE WATER SEWER	---	---	PROPERTY LINE	---	---	SOUTH & EAST GUTTER	---
---	CB LEAD	---	---	SURVEY BAR	---	---	NORTH & WEST GUTTER	---
---	MANHOLE	---	---	HYDRO POLE	---	---	S & E GARAGE PAD	---
---	CATCH BASIN	---	---	STREET LIGHT	---	---	N & W GARAGE PAD	---
---	GAS	---	---	JOINTS	---	---		---
---	HYDRO	---	---	ASPHALT REPAIR	---	---		---

LOCATION APPROVED UNDERGROUND STRUCTURES

SUPV.	U/G	STRUCTURES	DATE
---	---	---	---

NOTE:
LOCATION OF UNDERGROUND STRUCTURES AS SHOWN ARE BASED ON THE BEST INFORMATION AVAILABLE BUT NO GUARANTEE IS GIVEN THAT ALL EXISTING UTILITIES ARE SHOWN OR THAT THE GIVEN LOCATIONS ARE EXACT. CONFIRMATION OF EXISTENCE AND EXACT LOCATION OF ALL SERVICES MUST BE OBTAINED FROM THE INDIVIDUAL UTILITIES BEFORE PROCEEDING WITH CONSTRUCTION.

B.M. TOP NUT HYDRANT AT THE SOUTH WEST CORNER OF THE PORTAGE AVENUE AND CRAIG STREET INTERSECTION ELEV. 233.665

NO	REVISIONS	DATE	BY
---	---	---	---

wsp

DESIGNED BY	CHECKED BY
A.B	S.M
DRAWN BY	APPROVED BY
D.R.	S.M.

WSP Canada Incorporated
Suite 111 - 93 Lombard Ave
Winnipeg, MB R3B 3B1
t. 204.943.3178
f. 204.943.4948
www.wsp.com

NOT FOR CONSTRUCTION

**THE CITY OF WINNIPEG
PUBLIC WORKS DEPARTMENT**

2021 ALLEY RENEWALS
CRAIG ST / STILES ST ALLEY
FROM STA 2+00 TO STA 2+75

CONSULTANT DRAWING NO.
20M-00885-00-25

CITY DRAWING NO.
LD-----

SHEET 3 OF 4

BID OPPORTUNITY
17-2021

ASPHALT PAVEMENT