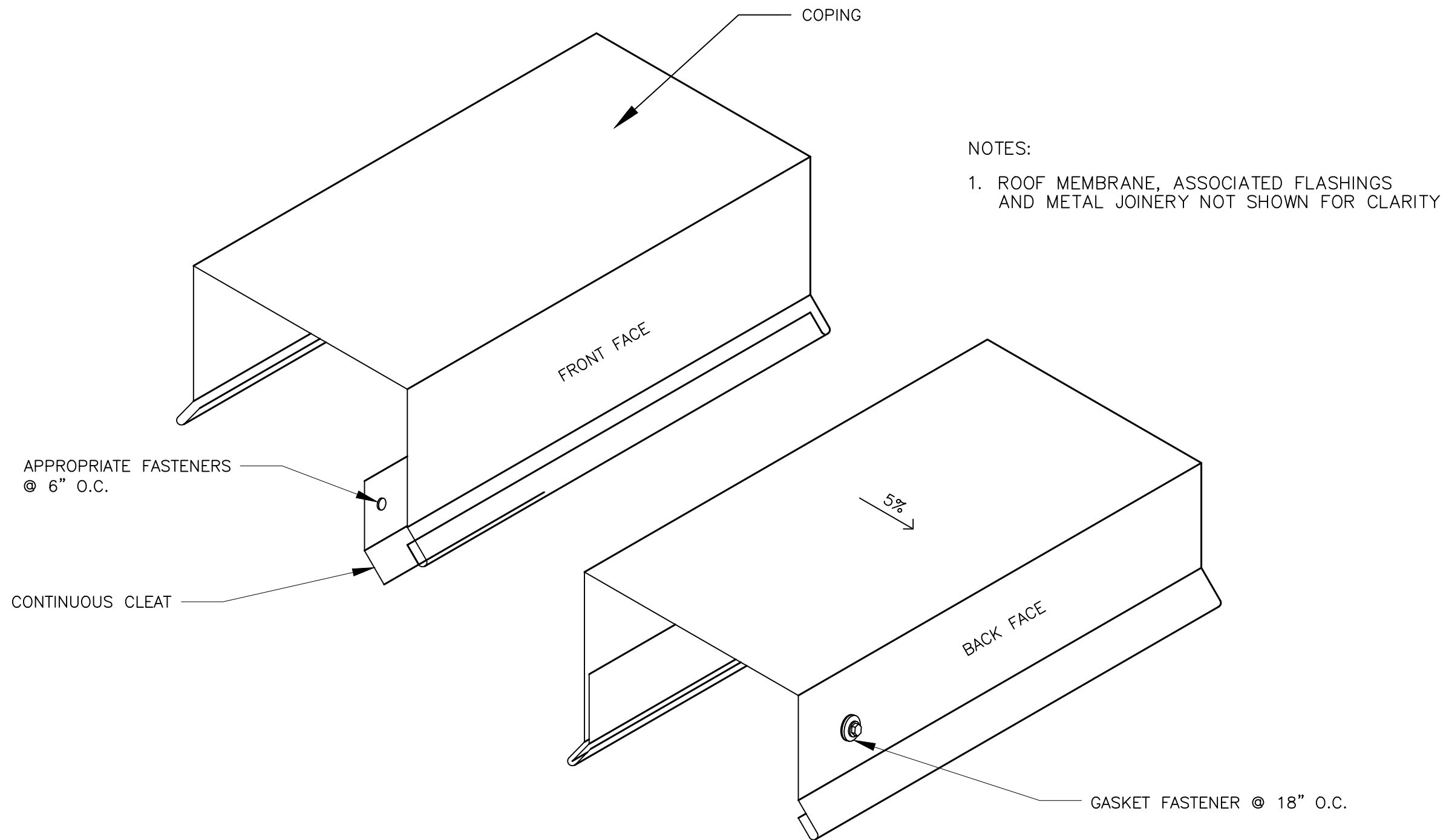




QCA BUILDING ENVELOPE LIMITED
P.O. BOX 23119 RPO
MCGILLVARY BLVD, WINNIPEG, MB
CITY OF WINNIPEG
WINNIPEG, MANITOBA

KEYNOTE LEGEND:



NOTES:

1. ROOF MEMBRANE, ASSOCIATED FLASHINGS AND METAL JOINERY NOT SHOWN FOR CLARITY

THIS DRAWING MUST NOT BE SCALED. THE CONTRACTOR SHALL VERIFY ALL DIMENSIONS AND OTHER SITE CONDITIONS ON SITE PRIOR TO THE COMMENCEMENT OF WORK. DISCREPANCIES, ERRORS, OR OMISSIONS ARE TO BE REPORTED TO QCA BUILDING ENVELOPE LIMITED PRIOR TO PROCEEDING WITH WORK.

PROJECT NAME:	PARTIAL ROOF REPLACEMENT AT FORT ROUGE LEISURE CENTRE		
ADDRESS:	625 OSBORNE STREET, WINNIPEG, MB		
DRAWING:	305-2021_DRAWING_FLASHINGS_A6-RO		
DATE:	2021 03 12	DRAWN BY:	BH
PROJECT NUMBER:	305-2021	REVISION:	RO
SCALE:	AS NOTED	SHEET NO.:	A6

1 FLASHING AND COPING
A6 SCALE: : N.T.S