

Single Timber Edging With Cap

SCD-651

Note:

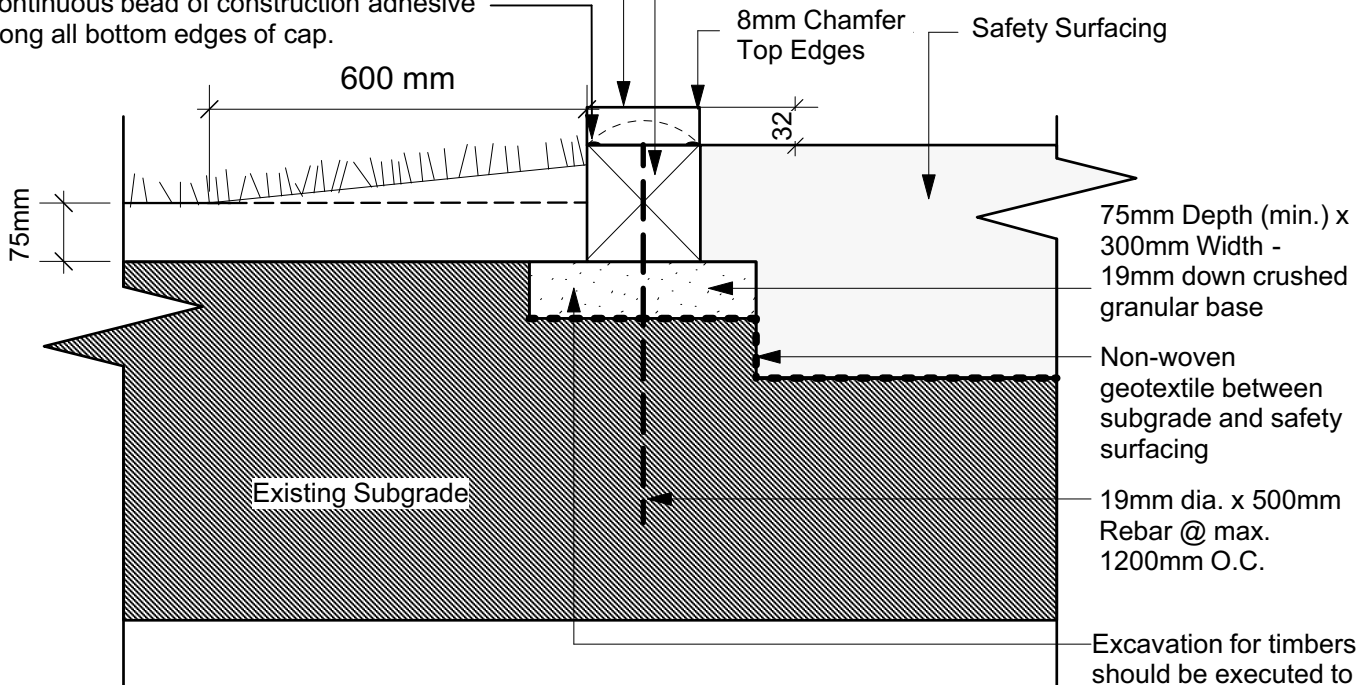
All end cuts to be treated with appropriate above ground (clear) or below ground preservative suitable for outdoor applications.

Topsoil and Sod/Seed Repairs. Ensure positive drainage away from play area - min. 1%, max. 10% slope. (If sod is specified, use one full width of sod)

Continuous bead of construction adhesive along all bottom edges of cap.

Composite Cap (Actual size of composite board must be equal or wider than board below). Joints to be lapped with Timber below.

140 x 140mm (6" x 6") S4S (smooth four sides) Pressure Treated Timbers Base Course.



Base course timber :

- shall be pinned with minimum of two (2) 19mm dia. rebar @ max. 1200mm O.C.

Cap:

- shall be pre-drilled and screwed down using 1/4" structural screws treated for ACQ use and sized to suit. Screws to extend into timber base at min. 75mm and to be countersunk into cap. Two parallel screws every 600mm O.C. along length and at ends. Only use butt joints for straight sections of cap. Min. length of cap boards to be 1200mm. Install longest lengths possible. Shall include continuous 25mm wide bead of construction adhesive along all bottom edges of cap.

75mm Depth (min.) x 300mm Width - 19mm down crushed granular base

Non-woven geotextile between subgrade and safety surfacing

19mm dia. x 500mm Rebar @ max. 1200mm O.C.

Excavation for timbers should be executed to the required depth for the granular base course and the timber edging.

DIMENSIONS SHOWN ARE IN MILLIMETRES UNLESS OTHERWISE SPECIFIED

REVISION: 5
 DATE: August 10, 2020
 SCALE: NTS
 DRAWN BY: GZ

The City of Winnipeg
 Planning, Property and Development Department
 Planning and Land Use Division
 Unit 15 - 30 Fort Street, Winnipeg, MB, R3C 4X5

