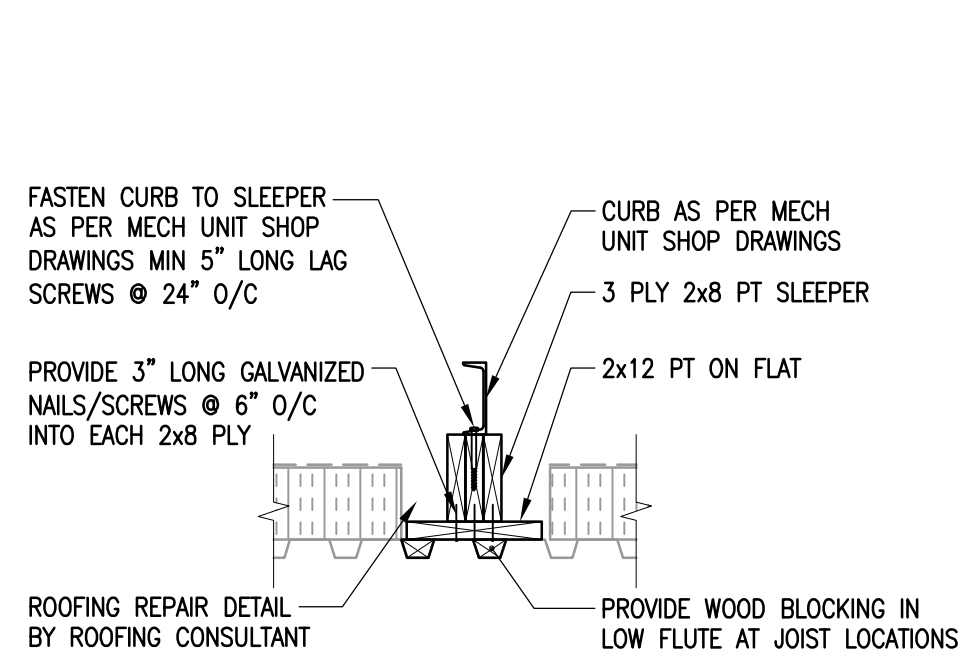


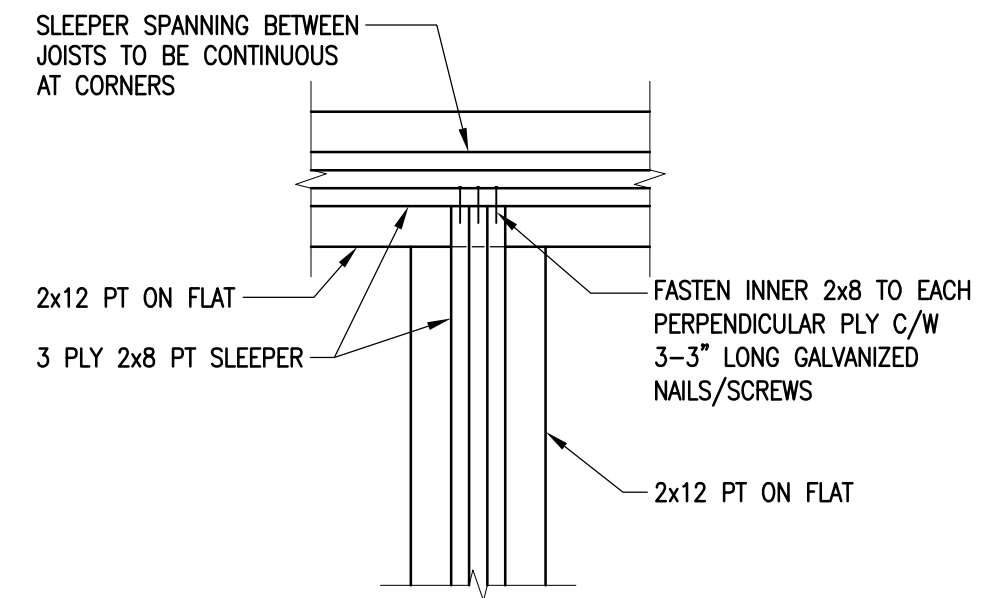
**PARTIAL REPAIR GARAGE ROOF FRAMING PLAN**

1/8" = 1'-0"  
 DESIGN LOADING:  
 SNOW LOAD = 36 PSF  
 DEAD LOAD = 15 PSF

- MECHANICAL UNIT WEIGHTS AS NOTED ON PLAN.
- ALL ROOFING REPAIR DETAILS TO BE PROVIDED BY THE ROOFING CONSULTANT.



**1 SECTION**  
 S2.1 S2.1 3/4" = 1'-0"



**TYPICAL SLEEPER CORNER DETAIL**  
 S2.1 S2.1 3/4" = 1'-0"

- GENERAL NOTES**
- STRUCTURAL DESIGN BASED ON THE MANITOBA BUILDING CODE 2011 EDITION.
    - IMPORTANCE CATEGORY: NORMAL
    - WIND LOAD:  $q_{50} = 9.4$  P.S.F.
    - GROUND SNOW LOAD:  $S_s = 39.6$  P.S.F.
    - ASSOCIATED RAIN LOAD:  $S_r = 4.2$  P.S.F.
  - SEISMIC SITE CLASSIFICATION: NOT APPLICABLE
  - DO NOT SCALE DRAWINGS.
  - DO NOT BACKFILL UNTIL GROUND FLOOR STRUCTURE IS IN PLACE AND BASEMENT SLABS HAVE BEEN POURED AND CURED.
  - ALL DIMENSIONS ARE TO BE VERIFIED WITH THE PROJECT DRAWINGS AND EXISTING SITE CONDITIONS PRIOR TO CONSTRUCTION.
  - THESE STRUCTURAL DRAWINGS SHOW THE COMPLETED STRUCTURE AND DO NOT INDICATE ALL COMPONENTS NECESSARY FOR SAFETY DURING CONSTRUCTION. THE CONTRACTOR SHALL BE SOLELY RESPONSIBLE FOR SAFETY ON AND AROUND THE JOBSITE DURING CONSTRUCTION INCLUDING BUT NOT LIMITED TO ALL TEMPORARY SHORING/BRACING.
  - ALL LUMBER TO BE NO.1/NO.2 SPF. ALL WOOD TO BE KILN DRIED.

300-275 Calder Street  
 Winnipeg, Manitoba R3C 5R6  
 T 204.943.7503  
 F 204.943.7507  
 2021-0597



6			
5			
4			
3			
2			
1			
0	ISSUED FOR CONSTRUCTION	JAL	08/07/21
NO.	Description	BY	DDMMYY

**ENGINEERS GEOSCIENTISTS MANITOBA**  
 Certificate of Authorization  
 Crosier Kilgour & Partners Ltd.  
 No. 235



770 Bradford Street  
 Winnipeg, Canada  
 T 204.775.0291  
 SMSeng.com



Project Title  
**TRANSIT HOIST 10-18 VEHICLE EXHAUST**

WINNIPEG MANITOBA

Drawing Title  
**PARTIAL REPAIR GARAGE ROOF PLAN, GENERAL NOTES SECTION AND DETAIL**

Drawn By MS	Checked By JAL	Approved By JAL
Scale AS NOTED	Date JULY 2021	Project No. 21-083-01
Revision Number 0	Drawing Number S2.1	Sheet Order 1 OF 1

FILE NAME AND PATH: C:\Users\p\p\Crosier Kilgour & Partners\ENGINEERS\202107-0597 - Transit Hoist Garage - 10-18\Drawings\2021-0597 - Transit Hoist Garage - 10-18\Roof Framing - 10-18.dwg  
 LAYOUT: S2.1  
 LAST SAVED BY: p  
 DATE PLOTTED: May 16, 2021 11:24:41 AM