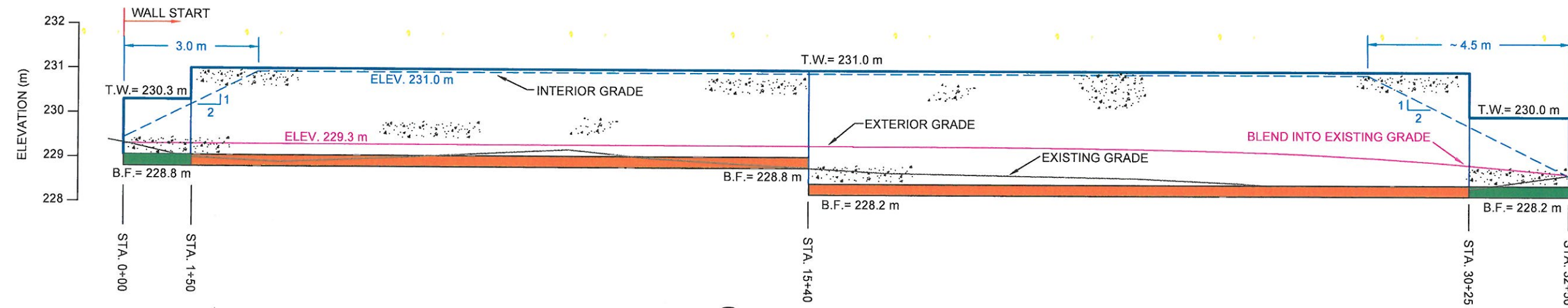
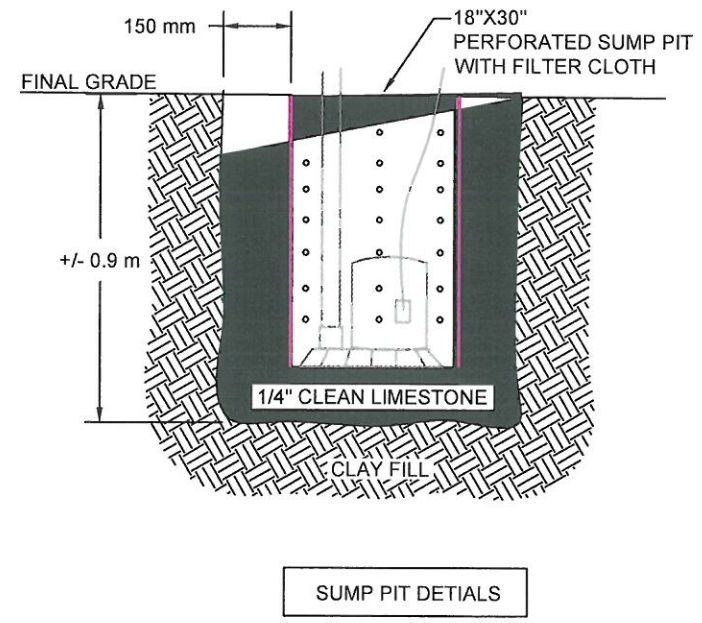
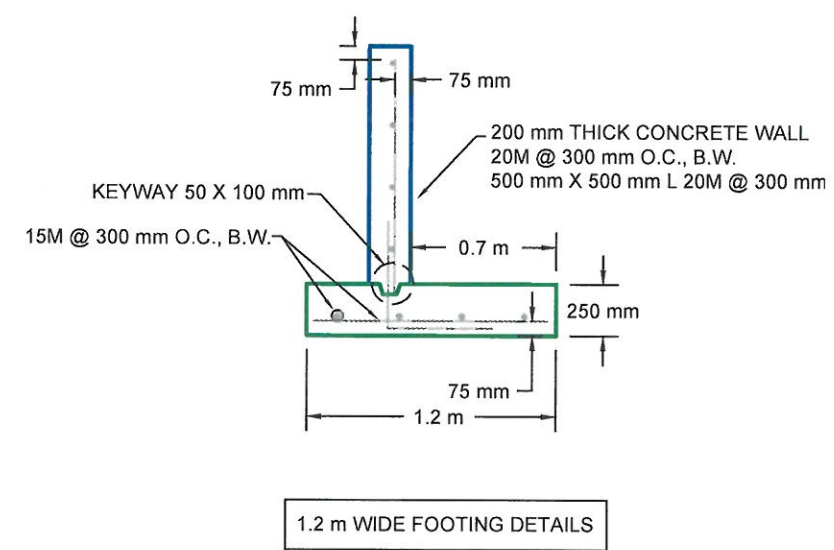
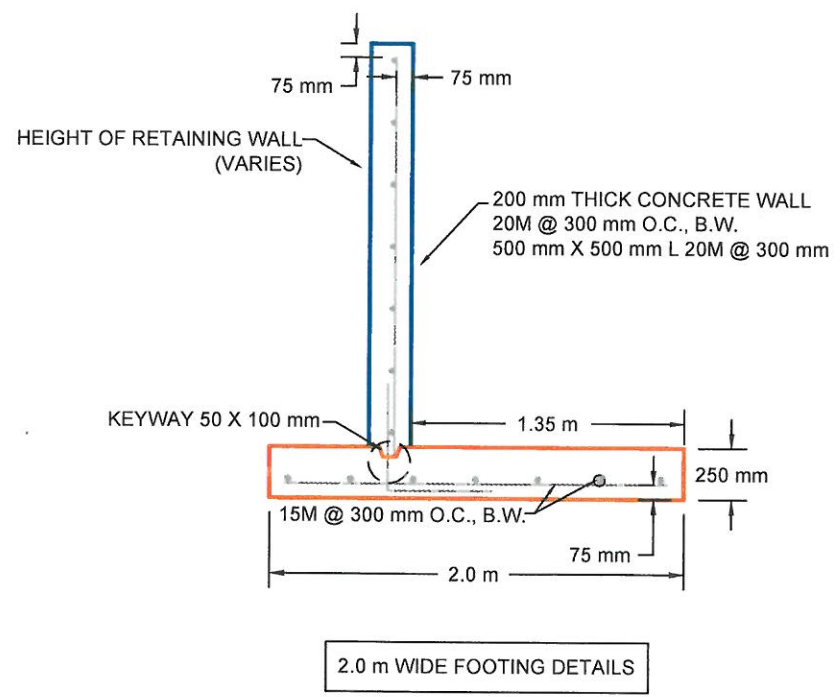


W1
3/4
ELEVATION PROFILE ON WALL 1
SCALE- 1:100



W2
3/4
ELEVATION PROFILE ON WALL 2
SCALE- 1:100



LEGEND

	1.2 m WIDE FOOTING
	2.0 m WIDE FOOTING

- NOTES**
- ALL ELEVATIONS ARE IN METERS UNLESS OTHERWISE NOTED.
 - ENG-TECH SURVEYED PROPERTY ON APRIL 9, 2019 USING TOTAL STATION AND GPS SURVEY EQUIPMENT.
 - RIVER BOTTOM SOUNDINGS WERE OBTAINED FROM ENG-TECH FORMER REPORT CONDUCTED IN 2016.
 - F.P.L. = FLOOD PROTECTION LEVEL (232.46 m).
 - R.S.R.L = REGULATED SUMMER RIVER LEVEL (224.0 m).
 - U.W.R.L = UNREGULATED WINTER RIVER LEVEL (222.0 m).
 - CONTOUR INTERVAL = 0.5 m.

NO.	DATE	ISSUE / REVISION
1	Aug. /2020	Tender Report
0	Feb. /2020	Report

ENG-TECH CONSULTING LIMITED
420 Turenne Street
Winnipeg, MB R2J 3W8
Phone: (204) 233-1694
Fax: (204) 235-1579

ENG STAMP:
C.D. HRYHORUK
2/19/21
REGISTERED PROFESSIONAL ENGINEER

ENGINEERS GEOSCIENTISTS MANITOBA
Certificate of Authorization
ENG-TECH Consulting Limited
No. 2475

CLIENT: CITY OF WINNIPEG

PROJECT: FLOOD PROTECTION DESIGN- 820 CLOUTIER DRIVE, WINNIPEG, MANITOBA

DWG DESCRIPTION: FRONT PROFILE AND SECTION VIEW

SCALE: AS SHOWN

DRAWN BY: WG DATE: AUGUST 2020

FILE No.: 16-217-04 CLIENT DWG/FIG. No.:

ENG-TECH DWG/FIG. No.: 4 NO.: