



**THE CITY OF WINNIPEG**

**TENDER**

**TENDER NO. 56-2021**

**SUPPLY AND DELIVERY OF LAMINATED SAFETY GLASS**

## TABLE OF CONTENTS

### PART A - BID SUBMISSION

- Form A: Bid/Proposal
- Form B: Prices

### PART B - BIDDING PROCEDURES

B1. Contract Title	1
B2. Submission Deadline	1
B3. Enquiries	1
B4. Confidentiality	1
B5. Addenda	1
B6. Substitutes	2
B7. Bid Submission	3
B8. Bid	3
B9. Prices	4
B10. Disclosure	4
B11. Conflict of Interest and Good Faith	4
B12. Qualification	5
B13. Opening of Bids and Release of Information	6
B14. Irrevocable Bid	7
B15. Withdrawal of Bids	7
B16. Evaluation of Bids	7
B17. Award of Contract	7

### PART C - GENERAL CONDITIONS

C0. General Conditions	1
------------------------	---

### PART D - SUPPLEMENTAL CONDITIONS

#### General

D1. General Conditions	1
D2. Scope of Work	1
D3. Cooperative Purchase	1
D4. Definitions	2
D5. Contract Administrator	2
D6. Notices	2

#### Submissions

D7. Authority to Carry on Business	2
------------------------------------	---

#### Schedule of Work

D8. Commencement	3
D9. Delivery	3
D10. Liquidated Damages	3
D11. COVID-19 Schedule Delays	3
D12. Orders	4
D13. Records	4

#### Measurement and Payment

D14. Invoices	4
D15. Payment	5
D16. Payment Schedule	5

#### Warranty

D17. Warranty	5
---------------	---

#### Third Party Agreements

D18. Funding and/or Contribution Agreement Obligations	5
--	---

### PART E - SPECIFICATIONS

**General**

E1. Applicable Specifications	1
E2. Goods	1
E3. Sizes and Templates	1

## **PART B - BIDDING PROCEDURES**

### **B1. CONTRACT TITLE**

B1.1 SUPPLY AND DELIVERY OF LAMINATED SAFETY GLASS

### **B2. SUBMISSION DEADLINE**

B2.1 The Submission Deadline is 4:00 p.m. Winnipeg time, March 12, 2021.

B2.2 The Contract Administrator or the Manager of Materials may extend the Submission Deadline by issuing an addendum at any time prior to the time and date specified in B2.1.

### **B3. ENQUIRIES**

B3.1 All enquiries shall be directed to the Contract Administrator identified in D5.1.

B3.2 If the Bidder finds errors, discrepancies or omissions in the Tender, or is unsure of the meaning or intent of any provision therein, the Bidder shall promptly notify the Contract Administrator of the error, discrepancy or omission at least five (5) Business Days prior to the Submission Deadline.

B3.3 Responses to enquiries which, in the sole judgment of the Contract Administrator, require a correction to or a clarification of the Tender will be provided by the Contract Administrator to all Bidders by issuing an addendum.

B3.4 Responses to enquiries which, in the sole judgment of the Contract Administrator, do not require a correction to or a clarification of the Tender will be provided by the Contract Administrator only to the Bidder who made the enquiry.

B3.5 The Bidder shall not be entitled to rely on any response or interpretation received pursuant to B3 unless that response or interpretation is provided by the Contract Administrator in writing.

B3.6 Any enquiries concerning submitting through MERX should be addressed to:  
MERX Customer Support  
Phone: 1-800-964-6379  
Email: merx@merx.com

### **B4. CONFIDENTIALITY**

B4.1 Information provided to a Bidder by the City or acquired by a Bidder by way of further enquiries or through investigation is confidential. Such information shall not be used or disclosed in any way without the prior written authorization of the Contract Administrator. The use and disclosure of the confidential information shall not apply to information which:

- (a) was known to the Bidder before receipt hereof; or
- (b) becomes publicly known other than through the Bidder; or
- (c) is disclosed pursuant to the requirements of a governmental authority or judicial order.

B4.2 The Bidder shall not make any statement of fact or opinion regarding any aspect of the Tender to the media or any member of the public without the prior written authorization of the Contract Administrator.

### **B5. ADDENDA**

B5.1 The Contract Administrator may, at any time prior to the Submission deadline, issue addenda correcting errors, discrepancies or omissions in the Tender, or clarifying the meaning or intent of any provision therein.

- B5.2 The Contract Administrator will issue each addendum at least two (2) Business Days prior to the Submission Deadline, or provide at least two (2) Business Days by extending the Submission Deadline.
- B5.3 Addenda will be available on the MERX website at [www.merx.com](http://www.merx.com).
- B5.4 The Bidder is responsible for ensuring that he/she has received all addenda and is advised to check the MERX website for addenda regularly and shortly before the Submission Deadline, as may be amended by addendum.
- B5.5 The Bidder shall acknowledge receipt of each addendum in Paragraph 10 of Form A: Bid/Proposal. Failure to acknowledge receipt of an addendum may render a Bid non-responsive.
- B5.6 Notwithstanding B3, enquiries related to an Addendum may be directed to the Contract Administrator indicated in D5.

**B6. SUBSTITUTES**

- B6.1 The Work is based on the materials, equipment, methods and products specified in the Tender.
- B6.2 Substitutions shall not be allowed unless application has been made to and prior approval has been granted by the Contract Administrator in writing.
- B6.3 Requests for approval of a substitute will not be considered unless received in writing by the Contract Administrator at least five (5) Business Days prior to the Submission Deadline.
- B6.4 The Bidder shall ensure that any and all requests for approval of a substitute:
- (a) provide sufficient information and details to enable the Contract Administrator to determine the acceptability of the material, equipment, method or product as either an approved equal or alternative;
  - (b) identify any and all changes required in the applicable Work, and all changes to any other Work, which would become necessary to accommodate the substitute;
  - (c) identify any anticipated cost or time savings that may be associated with the substitute;
  - (d) certify that, in the case of a request for approval as an approved equal, the substitute will fully perform the functions called for by the general design, be of equal or superior substance to that specified, is suited to the same use and capable of performing the same function as that specified and can be incorporated into the Work, strictly in accordance with the Contract;
  - (e) certify that, in the case of a request for approval as an approved alternative, the substitute will adequately perform the functions called for by the general design, be similar in substance to that specified, is suited to the same use and capable of performing the same function as that specified and can be incorporated into the Work, strictly in accordance with the Contract.
- B6.5 The Contract Administrator, after assessing the request for approval of a substitute, may in his/her sole discretion grant approval for the use of a substitute as an “approved equal” or as an “approved alternative”, or may refuse to grant approval of the substitute.
- B6.6 The Contract Administrator will provide a response in writing, at least two (2) Business Days prior to the Submission Deadline, to the Bidder who requested approval of the substitute.
- B6.6.1 The Contract Administrator will issue an Addendum, disclosing the approved materials, equipment, methods and products to all potential Bidders. The Bidder requesting and obtaining the approval of a substitute shall be responsible for disseminating information regarding the approval to any person or persons he/she wishes to inform.
- B6.7 If the Contract Administrator approves a substitute as an “approved equal”, any Bidder may use the approved equal in place of the specified item.

- B6.8 If the Contract Administrator approves a substitute as an “approved alternative”, any Bidder bidding that approved alternative may base his/her Total Bid Price upon the specified item but may also indicate an alternative price based upon the approved alternative. Such alternatives will be evaluated in accordance with B16.
- B6.9 No later claim by the Contractor for an addition to the price(s) because of any other changes in the Work necessitated by the use of an approved equal or an approved alternative will be considered.

## **B7. BID SUBMISSION**

- B7.1 The Bid shall consist of the following components:
- (a) Form A: Bid/Proposal;
  - (b) Form B: Prices.
- B7.2 All components of the Bid shall be fully completed or provided, and submitted by the Bidder no later than the Submission Deadline, with all required entries made clearly and completely.
- B7.3 The Bid shall be submitted electronically through MERX at [www.merx.com](http://www.merx.com).
- B7.3.1 Bids will **only** be accepted electronically through MERX.
- B7.4 Bidders are advised that inclusion of terms and conditions inconsistent with the Tender document, including the General Conditions, will be evaluated in accordance with B16.1(a).

## **B8. BID**

- B8.1 The Bidder shall complete Form A: Bid/Proposal, making all required entries.
- B8.2 Paragraph 2 of Form A: Bid/Proposal shall be completed in accordance with the following requirements:
- (a) if the Bidder is a sole proprietor carrying on business in his/her own name, his/her name shall be inserted;
  - (b) if the Bidder is a partnership, the full name of the partnership shall be inserted;
  - (c) if the Bidder is a corporation, the full name of the corporation shall be inserted;
  - (d) if the Bidder is carrying on business under a name other than his/her own, the business name and the name of every partner or corporation who is the owner of such business name shall be inserted.
- B8.2.1 If a Bid is submitted jointly by two or more persons, each and all such persons shall identify themselves in accordance with B8.2.
- B8.3 In Paragraph 3 of Form A: Bid/Proposal, the Bidder shall identify a contact person who is authorized to represent the Bidder for purposes of the Bid.
- B8.4 Paragraph 13 of Form A: Bid/Proposal shall be signed in accordance with the following requirements:
- (a) if the Bidder is a sole proprietor carrying on business in his/her own name, it shall be signed by the Bidder;
  - (b) if the Bidder is a partnership, it shall be signed by the partner or partners who have authority to sign for the partnership;
  - (c) if the Bidder is a corporation, it shall be signed by its duly authorized officer or officers;
  - (d) if the Bidder is carrying on business under a name other than his/her own, it shall be signed by the registered owner of the business name, or by the registered owner's authorized officials if the owner is a partnership or a corporation.

B8.4.1 The name and official capacity of all individuals signing Form A: Bid/Proposal should be entered below such signatures.

B8.5 If a Bid is submitted jointly by two or more persons, the word "Bidder" shall mean each and all such persons, and the undertakings, covenants and obligations of such joint Bidders in the Bid and the Contract, when awarded, shall be both joint and several.

## **B9. PRICES**

B9.1 The Bidder shall state a price in Canadian funds for each item of the Work identified on Form B: Prices.

B9.1.1 Prices on Form B: Prices shall include:

- (a) duty;
- (b) freight and cartage;
- (c) Provincial and Federal taxes [except the Goods and Services Tax (GST) and Manitoba Retail Sales Tax (MRST, also known as PST), which shall be extra where applicable] and all charges governmental or otherwise paid;
- (d) profit and all compensation which shall be due to the Contractor for the Work and all risks and contingencies connected therewith.

B9.2 The quantities listed on Form B: Prices are to be considered approximate only. The City will use said quantities for the purpose of comparing Bids.

B9.3 The quantities for which payment will be made to the Contractor are to be determined by the Work actually performed and completed by the Contractor, to be measured as specified in the applicable Specifications.

## **B10. DISCLOSURE**

B10.1 Various Persons provided information or services with respect to this Work. In the City's opinion, this relationship or association does not create a conflict of interest because of this full disclosure. Where applicable, additional material available as a result of contact with these Persons is listed below.

B10.2 The Persons are:

- (a) McKie Enterprises : specifications and pricing.
- (b) The Aftermarket Parts Group: specifications and pricing.

## **B11. CONFLICT OF INTEREST AND GOOD FAITH**

B11.1 Further to C3.2, Bidders, by responding to this Tender, declare that no Conflict of Interest currently exists, or is reasonably expected to exist in the future.

B11.2 Conflict of Interest means any situation or circumstance where a Bidder or employee of the Bidder proposed for the Work has:

- (a) other commitments;
- (b) relationships;
- (c) financial interests; or
- (d) involvement in ongoing litigation;

that could or would be seen to:

- (i) exercise an improper influence over the objective, unbiased and impartial exercise of the independent judgment of the City with respect to the evaluation of Bids or award of the Contract; or

- (ii) compromise, impair or be incompatible with the effective performance of a Bidder's obligations under the Contract;
- (e) has contractual or other obligations to the City that could or would be seen to have been compromised or impaired as a result of its participation in the Tender process or the Work; or
- (f) has knowledge of confidential information (other than confidential information disclosed by the City in the normal course of the Tender process) of strategic and/or material relevance to the Tender process or to the Work that is not available to other bidders and that could or would be seen to give that Bidder an unfair competitive advantage.

**B11.3** In connection with its Bid, each entity identified in B11.2 shall:

- (a) avoid any perceived, potential or actual Conflict of Interest in relation to the procurement process and the Work;
- (b) upon discovering any perceived, potential or actual Conflict of Interest at any time during the Tender process, promptly disclose a detailed description of the Conflict of Interest to the City in a written statement to the Contract Administrator; and
- (c) provide the City with the proposed means to avoid or mitigate, to the greatest extent practicable, any perceived, potential or actual Conflict of Interest and shall submit any additional information to the City that the City considers necessary to properly assess the perceived, potential or actual Conflict of Interest.

**B11.4** Without limiting B11.3, the City may, in its sole discretion, waive any and all perceived, potential or actual Conflicts of Interest. The City's waiver may be based upon such terms and conditions as the City, in its sole discretion, requires to satisfy itself that the Conflict of Interest has been appropriately avoided or mitigated, including requiring the Bidder to put into place such policies, procedures, measures and other safeguards as may be required by and be acceptable to the City, in its sole discretion, to avoid or mitigate the impact of such Conflict of Interest.

**B11.5** Without limiting B11.3, and in addition to all contractual or other rights or rights at law or in equity or legislation that may be available to the City, the City may, in its sole discretion:

- (a) disqualify a Bidder that fails to disclose a perceived, potential or actual Conflict of Interest of the Bidder or any of its employees proposed for the Work;
- (b) require the removal or replacement of any employees proposed for the Work that has a perceived, actual or potential Conflict of Interest that the City, in its sole discretion, determines cannot be avoided or mitigated;
- (c) disqualify a Bidder or employees proposed for the Work that fails to comply with any requirements prescribed by the City pursuant to B11.4 to avoid or mitigate a Conflict of Interest; and
- (d) disqualify a Bidder if the Bidder, or one of its employees proposed for the Work, has a perceived, potential or actual Conflict of Interest that, in the City's sole discretion, cannot be avoided or mitigated, or otherwise resolved.

**B11.6** The final determination of whether a perceived, potential or actual Conflict of Interest exists shall be made by the City, in its sole discretion.

## **B12. QUALIFICATION**

**B12.1** The Bidder shall:

- (a) undertake to be in good standing under The Corporations Act (Manitoba), or properly registered under The Business Names Registration Act (Manitoba), or otherwise properly registered, licensed or permitted by law to carry on business in Manitoba, or if the Bidder does not carry on business in Manitoba, in the jurisdiction where the Bidder does carry on business; and
- (b) be financially capable of carrying out the terms of the Contract; and



- (c) have all the necessary experience, capital, organization, and equipment to perform the Work in strict accordance with the terms and provisions of the Contract.

B12.2 The Bidder and any proposed Subcontractor (for the portion of the Work proposed to be subcontracted to them) shall:

- (a) be responsible and not be suspended, debarred or in default of any obligations to the City. A list of suspended or debarred individuals and companies is available on the Information Connection page at The City of Winnipeg, Corporate Finance, Materials Management Division website at <https://www.winnipeg.ca/matmgt/Templates/files/debar.pdf>

B12.3 The Bidder and/or any proposed Subcontractor (for the portion of the Work proposed to be subcontracted to them) shall:

- (a) have successfully carried out work similar in nature, scope and value to the Work; and
- (b) be fully capable of performing the Work required to be in strict accordance with the terms and provisions of the Contract; and
- (c) have a written workplace safety and health program, if required, pursuant to The Workplace Safety and Health Act (Manitoba).

B12.4 The Bidder shall provide representative samples of the goods offered, as described in E2, for detailed inspection and approval. The Bidder shall provide a sample within seven (7) Business Days of a request by the Contract Administrator. The manufacturer name and part number must be visible on each sample provided.

- (a) Failure to supply the sample unit(s) within the time period stated in B12.4, may result in the bid being determined to be non-responsive.
- (b) The Bidder shall be responsible for all freight costs associated with the delivery and return of the samples.
- (c) The Bidder shall submit, within seven (7) Business Days of a request by the Contract Administrator, proof satisfactory to the Contract Administrator of the qualifications of the Bidder and of any proposed Subcontractor.

B12.5 The Bidder shall provide, on the request of the Contract Administrator, full access to any of the Bidder's equipment and facilities to confirm, to the Contract Administrator's satisfaction, that the Bidder's equipment and facilities are adequate to perform the Work.

### **B13. OPENING OF BIDS AND RELEASE OF INFORMATION**

B13.1 Bids will not be opened publicly.

B13.2 Following the Submission Deadline, the names of the Bidders and their Total Bid Prices (unevaluated and pending review and verification of conformance with requirements) will be available on the MERX website at [www.merx.com](http://www.merx.com).

B13.3 After award of Contract, the name(s) of the successful Bidder(s) and their Contract amount(s) will be available on the MERX website at [www.merx.com](http://www.merx.com).

B13.4 The Bidder is advised that any information contained in any Bid may be released if required by The Freedom of Information and Protection of Privacy Act (Manitoba), by other authorities having jurisdiction, or by law or by City policy or procedures (which may include access by members of City Council).

B13.4.1 To the extent permitted, the City shall treat as confidential information, those aspects of a Bid Submission identified by the Bidder as such in accordance with and by reference to Part 2, Section 17 or Section 18 or Section 26 of The Freedom of Information and Protection of Privacy Act (Manitoba), as amended.

**B14. IRREVOCABLE BID**

- B14.1 The Bid(s) submitted by the Bidder shall be irrevocable for the time period specified in Paragraph 11 of Form A: Bid/Proposal.
- B14.2 The acceptance by the City of any Bid shall not release the Bids of the next two lowest evaluated responsive Bidders and these Bidders shall be bound by their Bids on such Work until a Contract for the Work has been duly formed and the contract securities have been furnished as herein provided, but any Bid shall be deemed to have lapsed unless accepted within the time period specified in Paragraph 11 of Form A: Bid/Proposal.

**B15. WITHDRAWAL OF BIDS**

- B15.1 A Bidder may withdraw his/her Bid without penalty at any time prior to the Submission Deadline.

**B16. EVALUATION OF BIDS**

- B16.1 Award of the Contract shall be based on the following bid evaluation criteria:
- (a) compliance by the Bidder with the requirements of the Tender, or acceptable deviation therefrom (pass/fail);
  - (b) qualifications of the Bidder and the Subcontractors, if any, pursuant to B12 (pass/fail);
  - (c) Total Bid Price;
  - (d) economic analysis of any approved alternative pursuant to B6;
- B16.2 Further to B16.1(a), the Award Authority may reject a Bid as being non-responsive if the Bid Submission is incomplete, obscure or conditional, or contains additions, deletions, alterations or other irregularities. The Award Authority may reject all or any part of any Bid, or waive technical requirements or minor informalities or irregularities if the interests of the City so require.
- B16.3 Further to B16.1(b), the Award Authority shall reject any Bid submitted by a Bidder who does not demonstrate, in his/her Bid or in other information required to be submitted, that he/she is qualified.
- B16.4 Further to B16.1(c), the Total Bid Price shall be the sum of the quantities multiplied by the unit prices for each item shown on Form B: Prices.
- B16.4.1 Further to B16.1(a), in the event that a unit price is not provided on Form B: Prices, the City may determine the unit price by dividing the Amount (extended price) by the approximate quantity, for the purposes of evaluation and payment.
- B16.4.1 Bidders are advised that the calculation indicated in B16.4 will prevail over the Total Bid Price entered in MERX.
- B16.5 This Contract will be awarded as a whole.

**B17. AWARD OF CONTRACT**

- B17.1 The City will give notice of the award of the Contract or will give notice that no award will be made.
- B17.2 The City will have no obligation to award a Contract to a Bidder, even though one or all of the Bidders are determined to be qualified, and the Bids are determined to be responsive.
- B17.2.1 Without limiting the generality of B17.2, the City will have no obligation to award a Contract where:
- (a) the prices exceed the available City funds for the Work;
  - (b) the prices are materially in excess of the prices received for similar work in the past;

- (c) the prices are materially in excess of the City's cost to perform the Work, or a significant portion thereof, with its own forces;
- (d) only one Bid is received; or
- (e) in the judgment of the Award Authority, the interests of the City would best be served by not awarding a Contract.

B17.3 Where an award of Contract is made by the City, the award shall be made to the qualified Bidder submitting the lowest evaluated responsive Bid, in accordance with B16.

B17.4 Further to Paragraph 7 of Form A: Bid/Proposal and C4, the City may issue an award letter to the successful Bidder.

B17.4.1 Following issuance of the Award Letter a document package comprising the Contract Documents will be provided to the successful Bidder electronically.

B17.5 Following the award of contract, a Bidder will be provided with information related to the evaluation of his/her Bid upon written request to the Contract Administrator.

## PART C - GENERAL CONDITIONS

### C0. GENERAL CONDITIONS

- C0.1 The *General Conditions for the Supply of Goods* (Revision 2020-01-31) are applicable to the Work of the Contract.
- C0.1.1 The *General Conditions for the Supply of Goods* are available on the Information Connection page at The City of Winnipeg, Corporate Finance, Materials Management Division website at [http://www.winnipeg.ca/matmgt/gen\\_cond.stm](http://www.winnipeg.ca/matmgt/gen_cond.stm)
- C0.2 A reference in the Tender to a section, clause or subclause with the prefix “C” designates a section, clause or subclause in the *General Conditions for Supply of Goods*.

## **PART D - SUPPLEMENTAL CONDITIONS**

### **GENERAL**

#### **D1. GENERAL CONDITIONS**

D1.1 In addition to the *General Conditions for the Supply of Goods*, these Supplemental Conditions are applicable to the Work of the Contract.

#### **D2. SCOPE OF WORK**

The Work to be done under the Contract shall consist of Supply and Delivery of Laminated Safety Glass for the period from May 1, 2021 until April 30, 2022, with the option of five (5) mutually agreed upon one (1) year extensions.

D2.1.1 The City may negotiate the extension option with the Proponent within ninety (90) Calendar Days prior to the expiry date of the Contract. The City shall incur no liability to the Proponent as a result of such negotiations.

D2.1.2 Changes resulting from such negotiations shall become effective on May 1st of the respective year. Changes to the Contract shall not be implemented by the Contractor without written approval by the Contract Administrator.

D2.1.3 Bidders are advised that, in future, the City may be participating in collaborative procurement initiatives with other levels of government. Accordingly, extensions to this Contract may not be exercised.

D2.2 The Work shall be done on an "as required" basis during the term of the Contract.

D2.2.1 The type and quantity of Work to be performed under this Contract shall be as authorized from time to time by the Contract Administrator and/or Users.

D2.2.2 Subject to C7, the City shall have no obligation under the Contract to purchase any quantity of any item in excess of its actual operational requirements.

#### **D3. COOPERATIVE PURCHASE**

D3.1 The Contractor is advised that this is a cooperative purchase.

D3.2 The Contract Administrator may, from time to time during the term of the Contract, approve other public sector organizations and utilities, including but not limited to municipalities, universities, schools and hospitals, to be participants in the cooperative purchase.

D3.3 The Contract Administrator will notify the Contractor of a potential participant and provide a list of the delivery locations and estimated quantities.

D3.4 If any location of the potential participant is more than ten (10) kilometres beyond the boundaries of the City of Winnipeg, the Contractor shall, within fifteen (15) Calendar Days of the written notice, notify the Contract Administrator of the amount of any additional delivery charge for the location.

D3.5 If any additional delivery charges are identified by the Contractor, the potential participant may accept or decline to participate in the cooperative purchase.

D3.6 The Contractor shall enter into a contract with each participant under the same terms and conditions as this Contract except:

- (a) supply under the contract shall not commence until the expiry or lawful termination of any other contract(s) binding the participant for the same goods;
- (b) a participant may specify a duration of contract shorter than the duration of this Contract;

- (c) a participant may specify that only some items under this Contract and/or less than its total requirement for an item are to be supplied under its contract; and
- (d) any additional delivery charge identified and accepted in accordance with clause D3.4 and D3.5 will apply.

D3.7 Each participant will be responsible for the administration of its contract and the fulfilment of its obligations under its contract. The City shall not incur any liability arising from any such contract.

D3.8 No participant shall have the right or authority to effect a change in the Contract, or of any other participant in this Contract.

#### **D4. DEFINITIONS**

D4.1 When used in this Tender:

- (a) (**ptrn**= pattern) refers to the glass template.
- (b) "**RC**" means radius corner.
- (c) "**RAC**" means right angle corner.

#### **D5. CONTRACT ADMINISTRATOR**

D5.1 The Contract Administrator is:

Ron Martin, SCMP.  
Inventory Coordinator- Transit Stores  
Telephone No.: 204- 986-6864  
Email Address:. ronmartin@winnipeg.ca

#### **D6. NOTICES**

D6.1 Except as provided for in C20.4, all notices, requests, nominations, proposals, consents, approvals, statements, authorizations, documents or other communications to the Contractor shall be sent to the address or facsimile number identified by the Contractor in Paragraph 2 of Form A: Bid/Proposal.

D6.2 All notices, requests, nominations, proposals, consents, approvals, statements, authorizations, documents or other communications to the City, except as expressly otherwise required in, D6.3 or elsewhere in the Contract, shall be sent to the attention of the Contract Administrator identified in D5.

D6.3 All notices, requests, nominations, proposals, consents, approvals, statements, authorizations, documents or other communications required to be submitted or returned to the City Solicitor shall be sent to the following facsimile number:

The City of Winnipeg  
Legal Services Department  
Attn: Director of Legal Services  
Facsimile No.: 204 947-9155.

#### **SUBMISSIONS**

##### **D7. AUTHORITY TO CARRY ON BUSINESS**

D7.1 The Contractor shall be in good standing under The Corporations Act (Manitoba), or properly registered under The Business Names Registration Act (Manitoba), or otherwise properly registered, licensed or permitted by law to carry on business in Manitoba, or if the Contractor does not carry on business in Manitoba, in the jurisdiction where the Contractor does carry on

business, throughout the term of the Contract, and shall provide the Contract Administrator with evidence thereof upon request.

## **SCHEDULE OF WORK**

### **D8. COMMENCEMENT**

D8.1 The Contractor shall not commence any Work until he/she is in receipt of a notice of award from the City authorizing the commencement of the Work.

D8.2 The Contractor shall not commence any Work until:

(a) the Contract Administrator has confirmed receipt and approval of:

(i) evidence of authority to carry on business specified in D7;

(ii) evidence of the workers compensation coverage specified in C6.17;

(b) the Contractor has attended a meeting with the Contract Administrator, or the Contract Administrator has waived the requirement for a meeting.

### **D9. DELIVERY**

D9.1 Goods shall be delivered on an "as required" basis during the term of the Contract, f.o.b. destination, freight prepaid:

Winnipeg Transit Stores Receiving  
421 Osborne Street.  
Winnipeg, Mb, R3L 2A2

D9.1.1 Goods shall be delivered within five (5) Calendar Days of the placing of an order.

D9.2 Initial start-up delivery shall be forty-five (45) Business days from the date of award.

D9.3 After the initial start-up delivery stated in D9.2, Goods shall be delivered in accordance with D9.1.1.

D9.4 The Contractor shall confirm each delivery with the Contract Administrator or his/her designate, at least two (2) Business Days before delivery.

D9.5 Goods shall be delivered between 7:00 a.m. and 2:00 p.m. on Business Days.

D9.6 The Contractor shall off-load goods as directed at the delivery location.

### **D10. LIQUIDATED DAMAGES**

D10.1 If the Contractor fails to achieve delivery of the goods within the time specified in D9.1 Delivery the Contractor shall pay the City seventy-three dollars (\$73.00) per Working Day for each and every bus per Working Day until the goods have been delivered.

D10.2 The amount specified for liquidated damages in D10.1 is based on a genuine pre-estimate of the City's damages in the event that the Contractor does not achieve Delivery by the day fixed herein for same.

D10.3 The City may reduce any payment to the Contractor by the amount of any liquidated damages assessed.

### **D11. COVID-19 SCHEDULE DELAYS**

D11.1 The City acknowledges that the schedule for this Contract may be impacted by the COVID-19 pandemic. Commencement and progress of the Work shall be performed by the Contractor with due consideration to the health and safety of workers and the public, directives from health

authorities and various levels of government and in close consultation with the Contract Administrator.

- D11.2 If the Contractor is delayed in the performance of the Work by reason of the COVID-19 pandemic, the Work schedule may be adjusted by a period of time equal to the time lost due to such delay and costs related to such delay will be determined as identified herein.
- D11.3 A minimum of seven (7) Calendar Days prior to the commencement of Work, the Contractor shall declare whether COVID-19 will affect the start date. The Contractor shall provide sufficient evidence that the delay is directly related to COVID-19, including but not limited to evidence related to availability of staff, availability of Material or work by others.
- D11.4 For any delay related to COVID-19 and identified after Work has commenced, the Contractor shall within seven (7) Calendar Days of becoming aware of the anticipated delay declare the additional delay and shall provide sufficient evidence as indicated in D11.3. Failure to provide this notice will result in no additional time delays being considered by the City.
- D11.5 The Work schedule, including the durations identified in D9 where applicable, will be adjusted to reflect delays accepted by the Contract Administrator.
- D11.6 Any time or cost implications as a result of COVID-19 and in accordance with the above, as confirmed by the Contract Administrator, shall be documented in accordance with C7.

## **D12. ORDERS**

- D12.1 The Contractor shall provide a local Winnipeg telephone number or a toll-free telephone number at which orders for delivery may be placed.

## **D13. RECORDS**

- D13.1 The Contractor shall keep detailed records of the goods supplied under the Contract.
- D13.2 The Contractor shall record, as a minimum, for each item listed on Form B: Prices:
- (a) user name(s) and addresses;
  - (b) order date(s);
  - (c) delivery date(s); and
  - (d) description and quantity of goods supplied.
- D13.3 The Contractor shall provide the Contract Administrator with a copy of the records for each quarter year within fifteen (15) Calendar Days of a request of the Contract Administrator.

## **MEASUREMENT AND PAYMENT**

### **D14. INVOICES**

- D14.1 Further to C10, the Contractor shall submit an invoice for each order delivered to:

The City of Winnipeg  
Corporate Finance - Accounts Payable  
4th Floor, Administration Building, 510 Main Street  
Winnipeg MB R3B 1B9

Facsimile No.: 204-949-0864

Send Invoices to [CityWpgAP-INVOICES@winnipeg.ca](mailto:CityWpgAP-INVOICES@winnipeg.ca)

Send Invoice Inquiries to [CityWpgAP-INQUIRIES@winnipeg.ca](mailto:CityWpgAP-INQUIRIES@winnipeg.ca)

- D14.2 Invoices must clearly indicate, as a minimum:
- (a) the City's purchase order number;



- (b) date of delivery;
- (c) delivery address;
- (d) type and quantity of goods delivered;
- (e) the amount payable with GST, MRST, and any applicable environmental handling charges/fees identified and shown as separate amounts; and
- (f) the Contractor's GST registration number.

D14.3 The City will bear no responsibility for delays in approval of invoices which are improperly submitted.

#### **D15. PAYMENT**

D15.1 Further to C10, the City may at its option pay the Contractor by direct deposit to the Contractor's banking institution.

#### **D16. PAYMENT SCHEDULE**

D16.1 Further to C10, payment shall be in Canadian funds net thirty (30) Calendar Days after receipt and approval of the Contractor's invoice.

#### **WARRANTY**

##### **D17. WARRANTY**

D17.1 Warranty is as stated in C11.

#### **THIRD PARTY AGREEMENTS**

##### **D18. FUNDING AND/OR CONTRIBUTION AGREEMENT OBLIGATIONS**

D18.1 Funding for the Work of the Contract is being provided to the City of Winnipeg by the Government of Manitoba and/or the Government of Canada and accordingly, as required by the applicable funding agreements, the following terms and conditions shall apply.

D18.2 For the purposes of D18:

- (a) "**Government of Canada**" includes the authorized officials, auditors, and representatives of the Government of Canada; and
- (b) "**Government of Manitoba**" includes the authorized officials, auditors, and representatives of the Government of Manitoba.

D18.3 Indemnification By Contractor

D18.3.1 In addition to the indemnity obligations outlined in C15 of the General Conditions for Goods, the Contractor agrees to indemnify and save harmless the Government of Canada and the Government of Manitoba and each of their respective Ministers, officers, servants, employees, and agents from and against all claims and demands, losses, costs, damages, actions, suit or other proceedings brought or pursued in any manner in respect of any matter caused by the Contractor or arising from this Contract or the Work, or from the goods or services provided or required to be provided by the Contractor, except those resulting from the negligence of any of the Government of Canada's or the Government of Manitoba's Ministers, officers, servants, employees, or agents, as the case may be.

D18.4 Records Retention and Audits

D18.4.1 The Contractor shall maintain and preserve accurate and complete records in respect of this Contract and the Work, including all accounting records, financial documents, copies of contracts with other parties and other records relating to this Contract and the Work during

the term of the Contract and for at least six (6) years after Total Performance. Those records bearing original signatures or professional seals or stamps must be preserved in paper form; other records may be retained in electronic form.

D18.4.2 In addition to the record keeping and inspection obligations outlined in C6 of the General Conditions for Goods, the Contractor shall keep available for inspection and audit at all reasonable times while this Contract is in effect and until at least six (6) years after Total Performance, all records, documents, and contracts referred to in D18.4.1 for inspection, copying and audit by the City of Winnipeg, the Government of Manitoba and/or the Government of Canada and their respective representatives and auditors, and to produce them on demand; to provide reasonable facilities for such inspections, copying and audits, to provide copies of and extracts from such records, documents, or contracts upon request by the City of Winnipeg, the Government of Manitoba, and/or the Government of Canada and their respective representatives and auditors, and to promptly provide such other information and explanations as may be reasonably requested by the City of Winnipeg, the Government of Manitoba, and/or the Government of Canada from time-to-time.

#### D18.5 Other Obligations

D18.5.1 The Contractor consents to the City providing a copy of the Contract Documents to the Government of Manitoba and/or the Government of Canada upon request from either entity.

D18.5.2 If the Lobbyists Registration Act (Manitoba) applies to the Contractor, the Contractor represents and warrants that it has filed a return and is registered and in full compliance with the obligations of that Act, and covenants that it will continue to comply for the duration of this Contract.

D18.5.3 The Contractor shall comply with all applicable legislation and standards, whether federal, provincial, or municipal, including (without limitation) labour, environmental, and human rights laws, in the course of providing the Work.

D18.5.4 The Contractor shall properly account for the Work provided under this Contract and payment received in this respect, prepared in accordance with generally accepted accounting principles in effect in Canada, including those principles and standards approved or recommended from time-to-time by the Chartered Professional Accountants of Canada or the Public Sector Accounting Board, as applicable, applied on a consistent basis.

D18.5.5 The Contractor represents and warrants that no current or former public servant or public office holder, to whom the Value and Ethics Code for the Public Sector, the Policy on Conflict of Interest and Post Employment, or the Conflict of Interest Act applies, shall derive direct benefit from this Contract, including any employment, payments, or gifts, unless the provision or receipt of such benefits is in compliance with such codes and the legislation.

D18.5.6 The Contractor represents and warrants that no member of the House of Commons or of the Senate of Canada or of the Legislative Assembly of Manitoba is a shareholder, director or officer of the Contractor or of a Subcontractor, and that no such member is entitled to any benefits arising from this Contract or from a contract with the Contractor or a Subcontractor concerning the Work.

D18.6 In the event that funding for the Work of the Contract is provided to the City of Winnipeg by the Government of Manitoba and/or the Government of Canada, the following terms and conditions shall apply, as required by the applicable funding agreements.

D18.7 Further to D18.6, in the event that the obligations in D18 apply, actual costs legitimately incurred by the Contractor as a direct result of these obligations ("Funding Costs") shall be determined by the actual cost to the Contractor and not by the valuation method(s) outlined in C7.4. In all other respects Funding Costs will be processed in accordance with Changes in Work under C7.

D18.8 For the purposes of D18:

- (a) **“Government of Canada”** includes the authorized officials, auditors, and representatives of the Government of Canada; and
- (b) **“Government of Manitoba”** includes the authorized officials, auditors, and representatives of the Government of Manitoba.

D18.9 Indemnification By Contractor

D18.9.1 In addition to the indemnity obligations outlined in C15 of the General Conditions for Goods, the Contractor agrees to indemnify and save harmless the Government of Canada and the Government of Manitoba and each of their respective Ministers, officers, servants, employees, and agents from and against all claims and demands, losses, costs, damages, actions, suit or other proceedings brought or pursued in any manner in respect of any matter caused by the Contractor or arising from this Contract or the Work, or from the goods or services provided or required to be provided by the Contractor, except those resulting from the negligence of any of the Government of Canada’s or the Government of Manitoba’s Ministers, officers, servants, employees, or agents, as the case may be.

D18.10 Records Retention and Audits

D18.10.1 The Contractor shall maintain and preserve accurate and complete records in respect of this Contract and the Work, including all accounting records, financial documents, copies of contracts with other parties and other records relating to this Contract and the Work during the term of the Contract and for at least six (6) years after Total Performance. Those records bearing original signatures or professional seals or stamps must be preserved in paper form; other records may be retained in electronic form.

D18.10.2 In addition to the record keeping and inspection obligations outlined in C6 of the General Conditions for Goods, the Contractor shall keep available for inspection and audit at all reasonable times while this Contract is in effect and until at least six (6) years after Total Performance, all records, documents, and contracts referred to in D18.10.1 for inspection, copying and audit by the City of Winnipeg, the Government of Manitoba and/or the Government of Canada and their respective representatives and auditors, and to produce them on demand; to provide reasonable facilities for such inspections, copying and audits, to provide copies of and extracts from such records, documents, or contracts upon request by the City of Winnipeg, the Government of Manitoba, and/or the Government of Canada and their respective representatives and auditors, and to promptly provide such other information and explanations as may be reasonably requested by the City of Winnipeg, the Government of Manitoba, and/or the Government of Canada from time-to-time.

D18.11 Other Obligations

D18.11.1 The Contractor consents to the City providing a copy of the Contract Documents to the Government of Manitoba and/or the Government of Canada upon request from either entity.

D18.11.2 If the Lobbyists Registration Act (Manitoba) applies to the Contractor, the Contractor represents and warrants that it has filed a return and is registered and in full compliance with the obligations of that Act, and covenants that it will continue to comply for the duration of this Contract.

D18.11.3 The Contractor shall comply with all applicable legislation and standards, whether federal, provincial, or municipal, including (without limitation) labour, environmental, and human rights laws, in the course of providing the Work.

D18.11.4 The Contractor shall properly account for the Work provided under this Contract and payment received in this respect, prepared in accordance with generally accepted accounting principles in effect in Canada, including those principles and standards approved or recommended from time-to-time by the Chartered Professional Accountants of Canada or the Public Sector Accounting Board, as applicable, applied on a consistent basis.

- D18.11.5 The Contractor represents and warrants that no current or former public servant or public office holder, to whom the Value and Ethics Code for the Public Sector, the Policy on Conflict of Interest and Post Employment, or the Conflict of Interest Act applies, shall derive direct benefit from this Contract, including any employment, payments, or gifts, unless the provision or receipt of such benefits is in compliance with such codes and the legislation.
- D18.11.6 The Contractor represents and warrants that no member of the House of Commons or of the Senate of Canada or of the Legislative Assembly of Manitoba is a shareholder, director or officer of the Contractor or of a Subcontractor, and that no such member is entitled to any benefits arising from this Contract or from a contract with the Contractor or a Subcontractor concerning the Work.

## PART E - SPECIFICATIONS

### GENERAL

#### E1. APPLICABLE SPECIFICATIONS

- E1.1 These Specifications shall apply to the Work.
- E1.2 Bidders are reminded that requests for approval of substitutes as an approved equal or an approved alternative shall be made in accordance with B6. In every instance where a brand name or design specification is used, the City will also consider approved equals and/or approved alternatives in accordance with B6.

#### E2. GOODS

- E2.1 The Contractor shall supply and deliver laminated safety glass (transit bus) in accordance with the requirements hereinafter specified.
- E2.2 The Contractor shall ensure that all the edges are aris or swiped.
- E2.3 The glass supplied shall be the original New Flyer glass or approved equivalent. The original New Flyer part's have been supplied for the contractor's convenience. Winnipeg Transit will make final approval based upon their evaluation.
- E2.4 The glass supplied must be stamped with a **permanent** proper identification mark using i.e. sandblasting method. Should the I.D. mark not be on the safety glass, the Contractor will remove and replace the shipment.
- E2.5 All glass tint unless otherwise specified will be as follows:
- (a) Green: 72%
  - (b) Grey: 44%
  - (c) Clear: 89%
- E2.6 All drawing measurements are in inches unless otherwise specified.

#### E3. SIZES AND TEMPLATES

- E3.1 The sizes shown are approximate only; the bidder can view the original templates by contacting the City of Winnipeg Transit Department identified in D4.1.

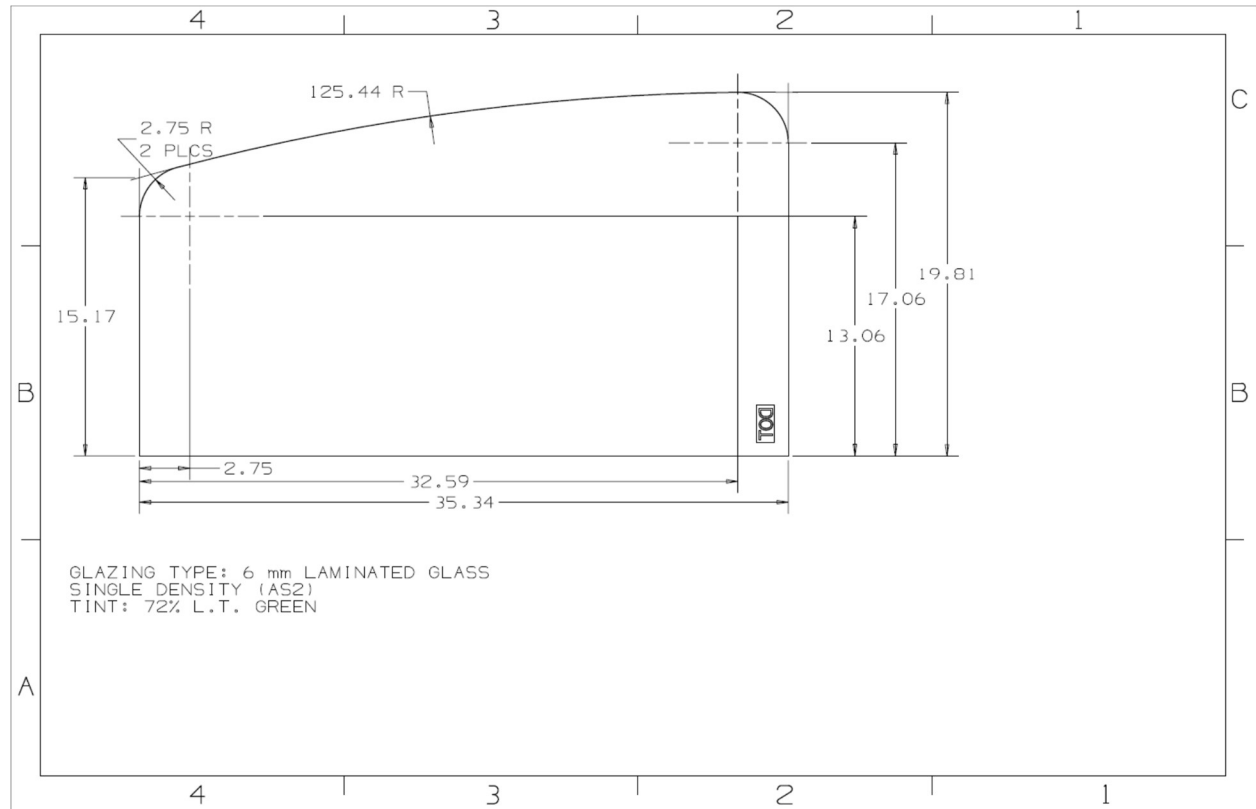
##### Description

- (i) Laminated Glass, Clear, 5mm, 27 ½" x 7 ¼" (RC X RC); Pattern 37.
- (ii) New Flyer Part# 6317979 or Laminated Glass, Grey, 6mm 50 1/4" x 19 5/16" (2RC x 2 RAC); Pattern No.133.
- (iii) New Flyer Part# 6317974 or Laminated Glass, Grey, 6mm, 48 5/8" x 10" (2RC x 2RAC); Pattern 134.
- (iv) New Flyer Part# 6317524 or Laminated Glass, Clear, 6mm 11 9/16" x 51" (2RAC x 2RC); Pattern 136.
- (v) New Flyer Part# 045832 or Laminated Glass, Green, 6mm, 65 1/2" x 10 7/8" (4RC); Pattern No. 139.
- (vi) New Flyer Part# 6322081 or Laminated Glass, Grey,6mm, 48 5/8" x 10 1/8" (2RAC x 2RC); Pattern 144.
- (vii) New Flyer Part# 6320859 or Laminated Glass, Green, 6mm, 36 1/4" x 18 1/4" (2RC x 2RAC); Pattern No.149.
- (viii) New Flyer Part# 6319225 or Laminated Glass, Grey, 6mm, 50 3/4" x 27 1/2" (2RC x 2RAC); Pattern No. 150.

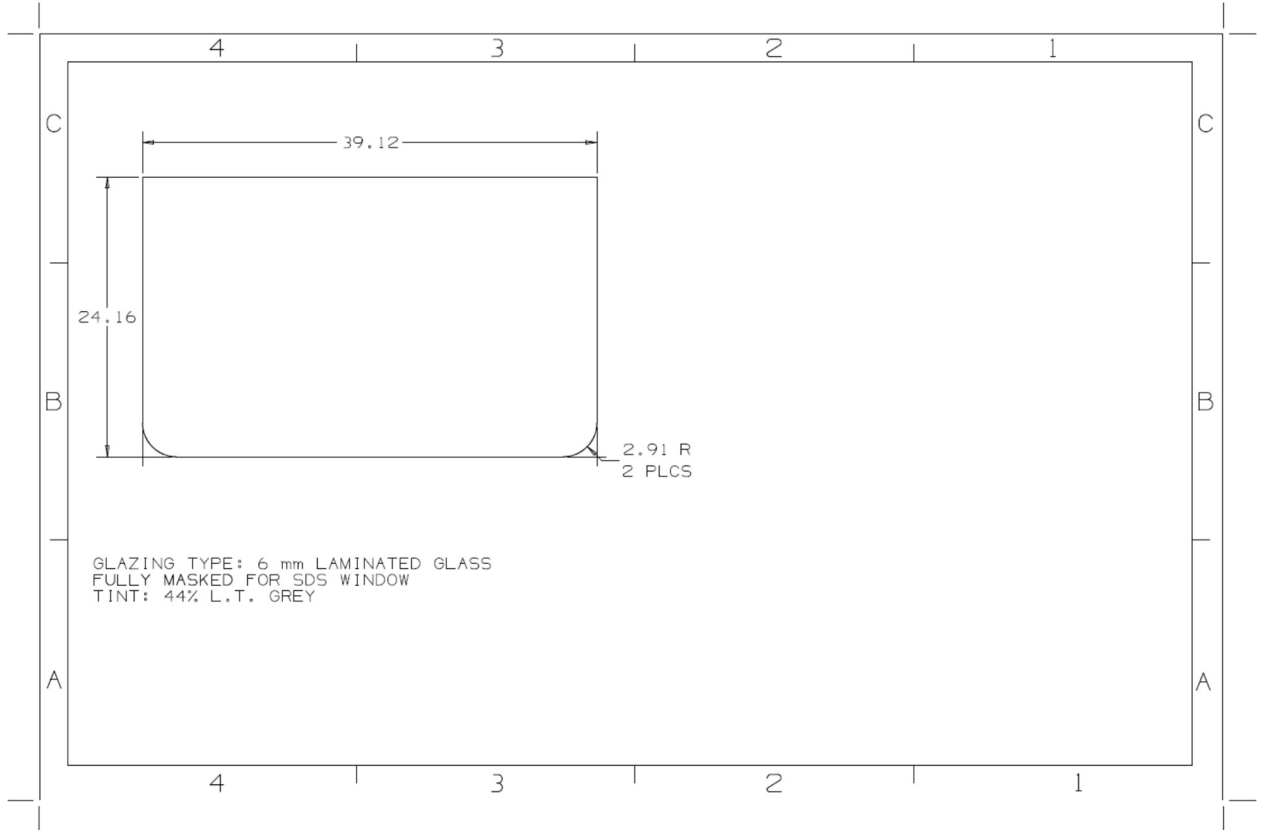
- (ix) New Flyer Part# 6319218 or Laminated Glass, Grey, 6mm, 31 1/4" x 24 3/8" (2RC x 2RAC); Pattern 151.
- (x) New Flyer Part# 6314443 or Laminated Glass, Grey, 6mm 49" X 26 1/2" (2RC x 2RAC); Pattern 152.
- (xi) New Flyer Part# 6319219 or Laminated Glass, Grey, 6mm, 25 3/8" x 23 3/8" (3 RAC x 1RC); Pattern 153.
- (xii) New Flyer Part# 6322119 or Laminated Glass, Grey, 6mm, 50 7/8" x 11 1/2" (2RAC X 2RC); Pattern 155.
- (xiii) New Flyer Part# 6319220 or Laminated Glass, Grey, 6mm, 49" x 9 7/8" (2RAC x 2RC); Pattern 156.
- (xiv) New Flyer Part# 6319222 or Laminated Glass, Grey, 6mm, 24 5/8" x 26 5/8" (3RAC x 1RC); Pattern 157.
- (xv) New Flyer Part# 6319223 or Laminated Glass, Grey, 6mm, 51 1/2" x 11 1/16" (2RAC x 2RC); Pattern 158.
- (xvi) New Flyer Part# 6325398 or Laminated Glass, Grey, 6mm, 32 1/2" x 50 1/8" (2RC x 2RC); Pattern 159.
- (xvii) New Flyer Part# 067885 or Laminated Glass, Grey, 6mm, 65 7/16" x 10 3/4" (4RC); Pattern 160.
- (xviii) New Flyer Part# 6334378 or Laminated Glass, Grey, 6mm, 48 1/4" x 37 1/2" (4RC); Pattern 163.
- (xix) New Flyer Part# 6352418 or Laminated Glass, Green 6mm 35 3/8" x 15" (2RAC x 2RC); Pattern 164.
- (xx) New Flyer Part# 296651 or Laminated Glass, Green, 6mm, 22 1/2" X 11 3/8" (2RAC X 2RC); Pattern 165.
- (xxi) New Flyer Part# 289487 or Laminated Glass, Green, 6mm, 22 1/2" X 12 3/16" (2RAC X 2RC); Pattern 166.
- (xxii) New Flyer Part# 6352415 or Laminated Glass, Green 6mm 35 3/8" x 20" (2RAC x 2RC); Pattern 167.
- (xxiii) New Flyer Part# 296652 or Laminated Glass, Green, 6mm, 41 3/8" X 11 11/16" (2RAC x 2RC); Pattern 168.
- (xxiv) New Flyer Part # 289488 or Laminated Glass, Green 6mm 41 3/8" x 12 1/2" (2RAC x 2RC); Pattern 169.
- (xxv) New Flyer Part# 6322122 or Laminated Glass, Grey 6mm 49 1/4" x 26 1/2" (2RAC x 2RC); Pattern 170.
- (xxvi) New Flyer Part# 6322127 or Laminated Glass, Grey, 6mm, 49 5/16" x 10 1/16" (2RAC x 2RC); Pattern 171.
- (xxvii) New Flyer Part# 6322121 or Laminated Glass, Grey 6mm 47 x 9 1/4" (RAC x 2RAC); Pattern 172.
- (xxviii) New Flyer Part# 387765 or Laminated Glass, Grey, 6mm, 64 1/8" X 12 5/8" (4RAC); Pattern 187.
- (xxix) New Flyer Part# 351230 or Laminated Glass, Green, 6mm 41" x 13" (4RAC); Pattern 188.
- (xxx) New Flyer Part# 351231 or Laminated Glass, Green, 6mm, 22 7/8" X 13" (4RAC); Pattern 189.
- (xxxii) New Flyer Part# 351229 or Laminated Glass, Green, 6mm 22 3/4" x 13" (2RAC x 2RC); Pattern 190.
- (xxxiii) New Flyer Part# 6325945 or Laminated Glass, Grey, 6mm, 28 3/16" X 11 1/2" (2RAC X 2RC); Pattern 191.
- (xxxiii) New Flyer Part# 6325946 or Laminated Glass, Grey, 6mm, 28 3/16" X 19 3/4" (2RAC x 2RC); Pattern 192.
- (xxxiv) New Flyer Part# 080261 or Laminated Glass, Grey, 6mm, 30 5/16" X 16 1/4" (4RC); Pattern 193.
- (xxxv) New Flyer Part# 6326096 or Laminated Glass, Grey, 6mm, 48 1/4" X 19 1/8" (2RAC X 2RC); Pattern 194.

- (xxxvi) New Flyer Part# 6326097 or Laminated Glass, Grey, 6mm, 46" X 9 1/8" (2RAC X 2RC); Pattern 195.
- (xxxvii) New Flyer Part# 6329790 or Laminated Glass, Green, 6mm, 33 7/8" X 16 7/8" (2RAC X 2RC); Pattern 196.

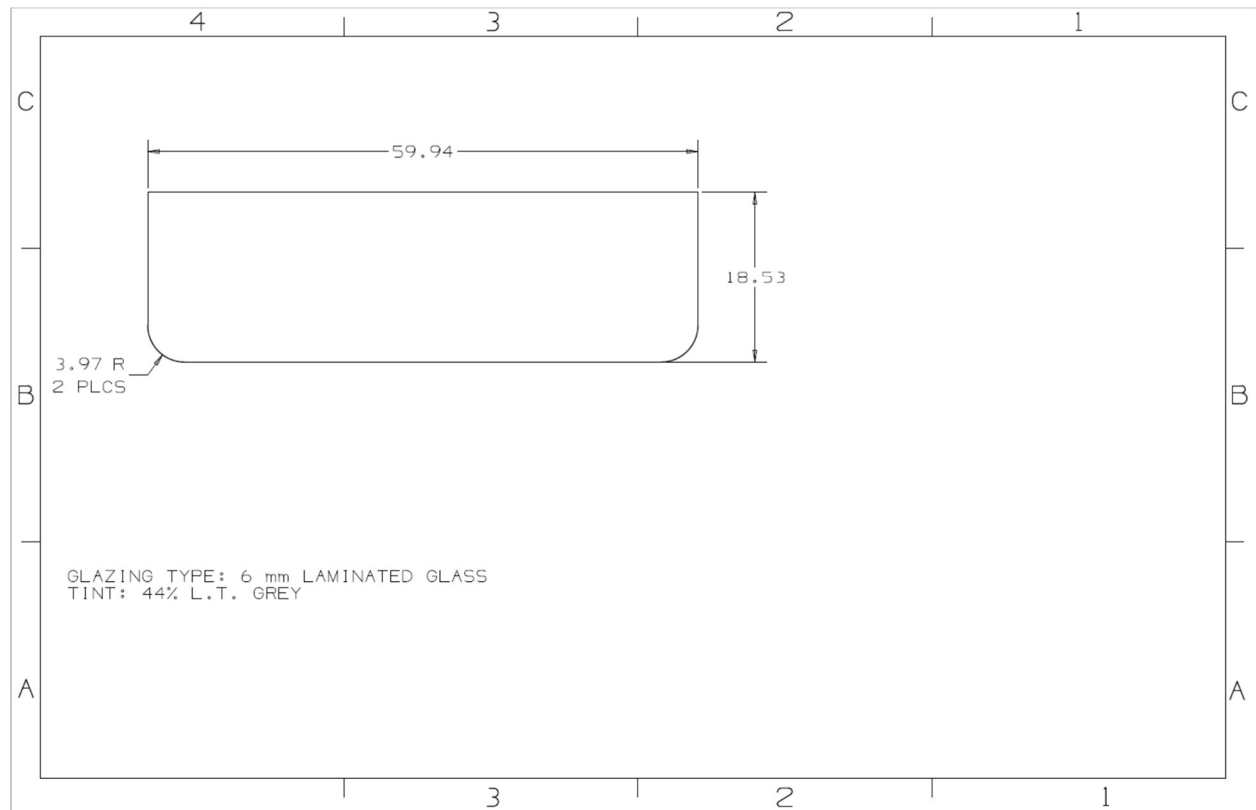
E3.2 New Flyer Part# 6400550 or Laminated Glass, Green, 6mm, Pattern 197. See below drawing.



E3.3 New Flyer Part# 6398970 or Laminated Glass, 6mm, Grey, Pattern 198. See below

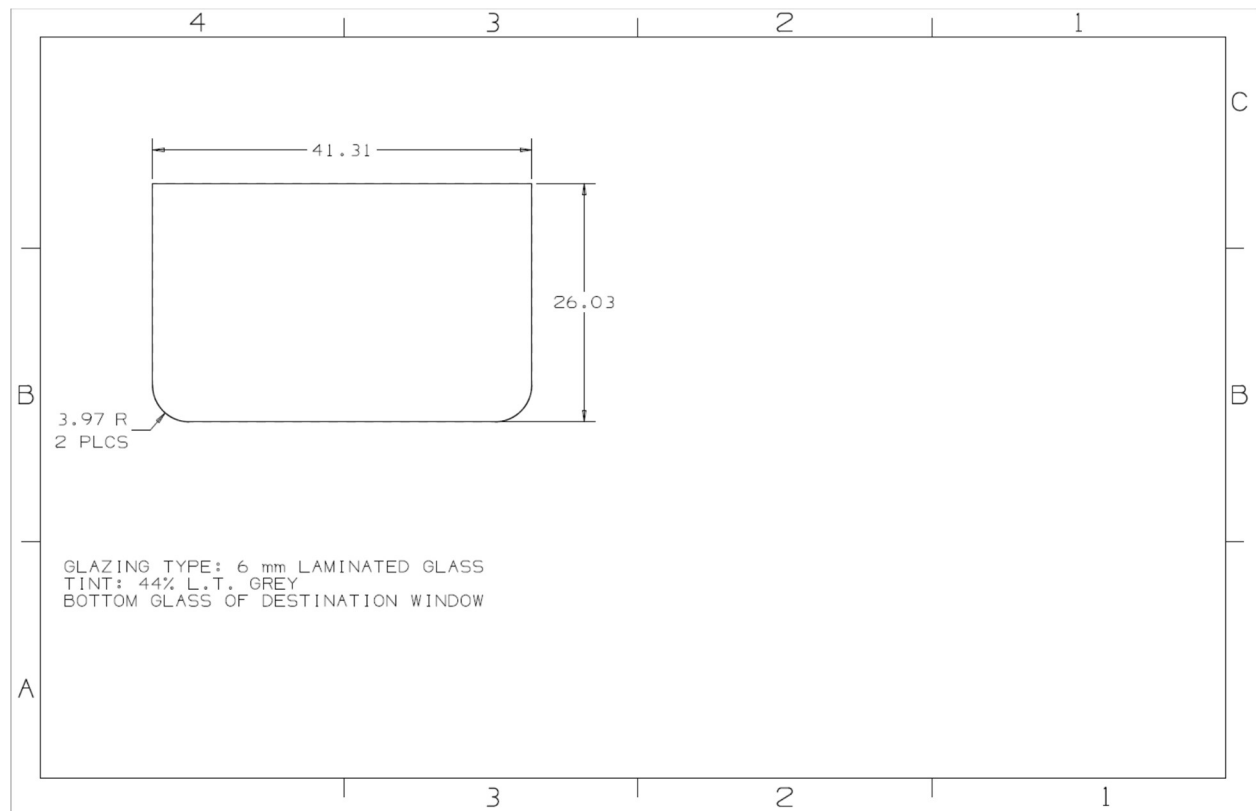


E3.4 New Flyer Part# 6399004 or Laminated Glass, 6mm, Grey, Pattern 199. See below drawing.

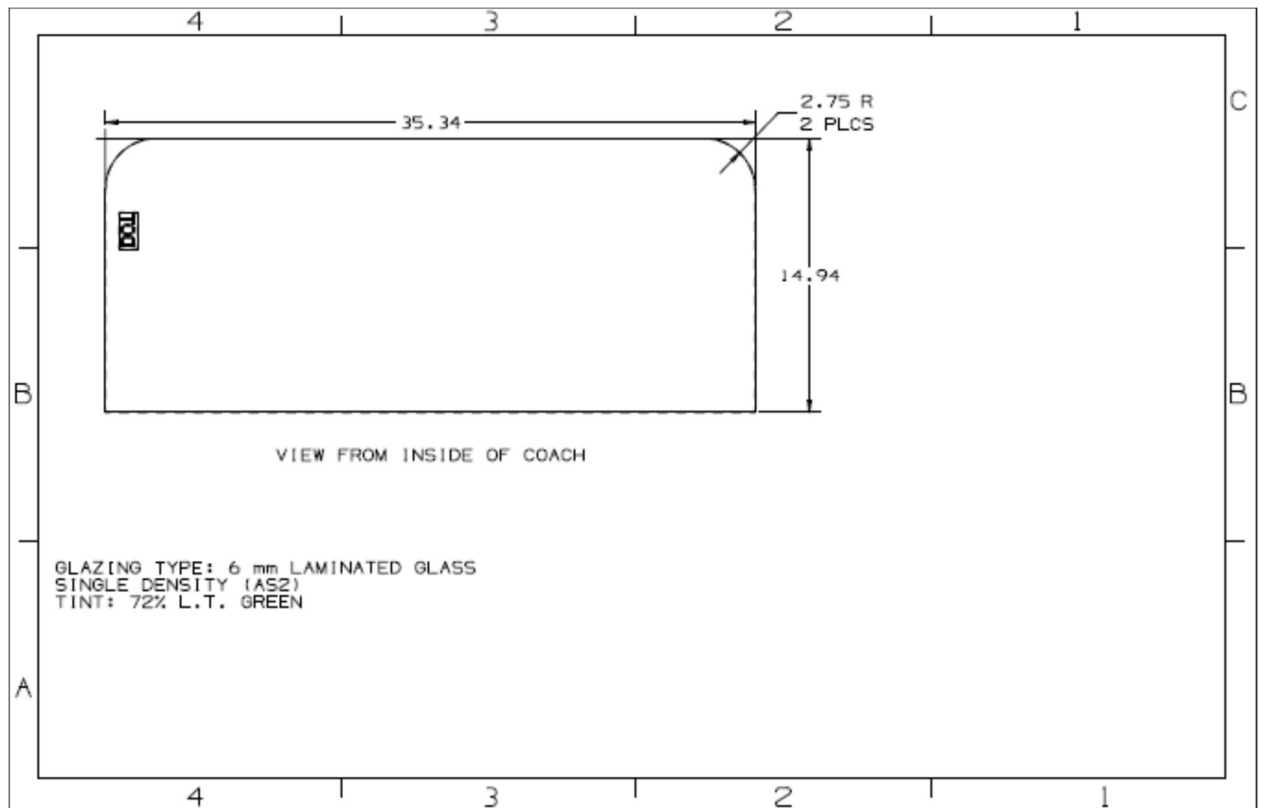




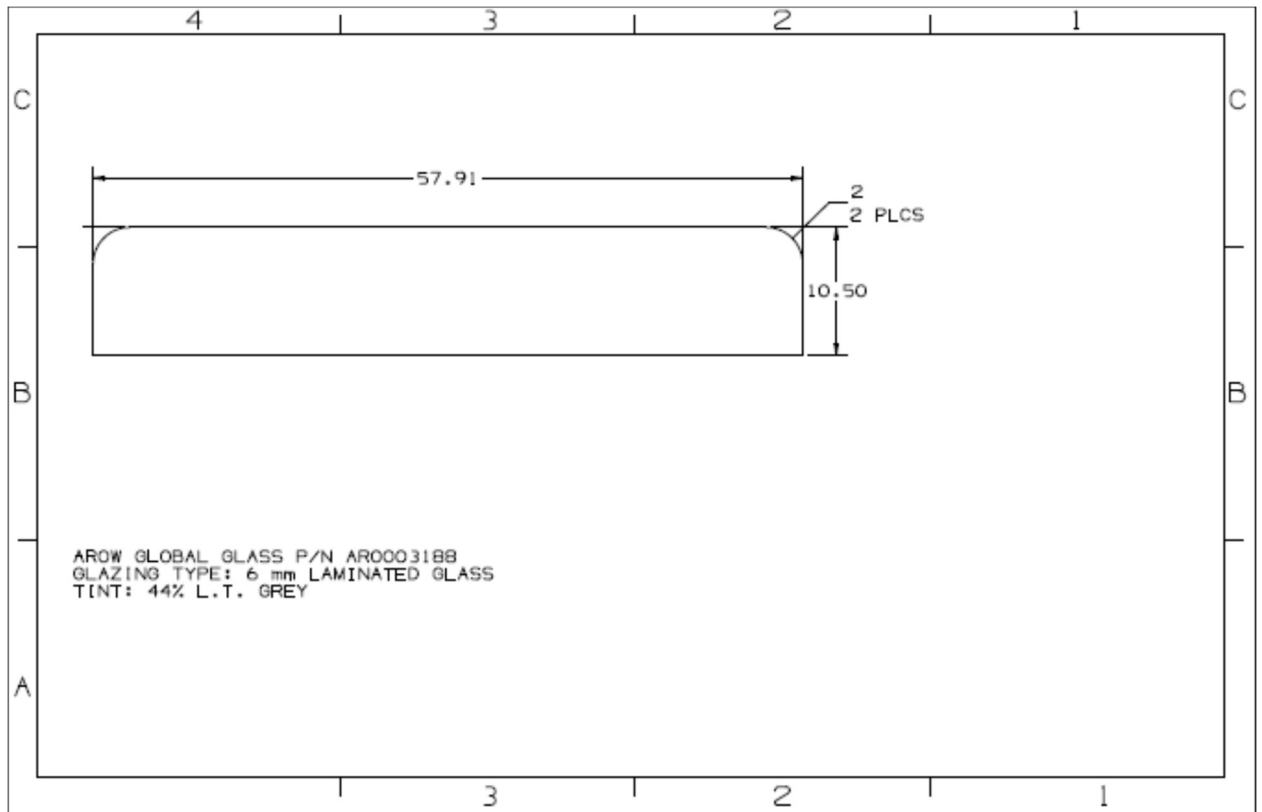
E3.5 New Flyer Part# 6399023 or Laminated Glass 6mm, Grey, Pattern 200. See below drawing.



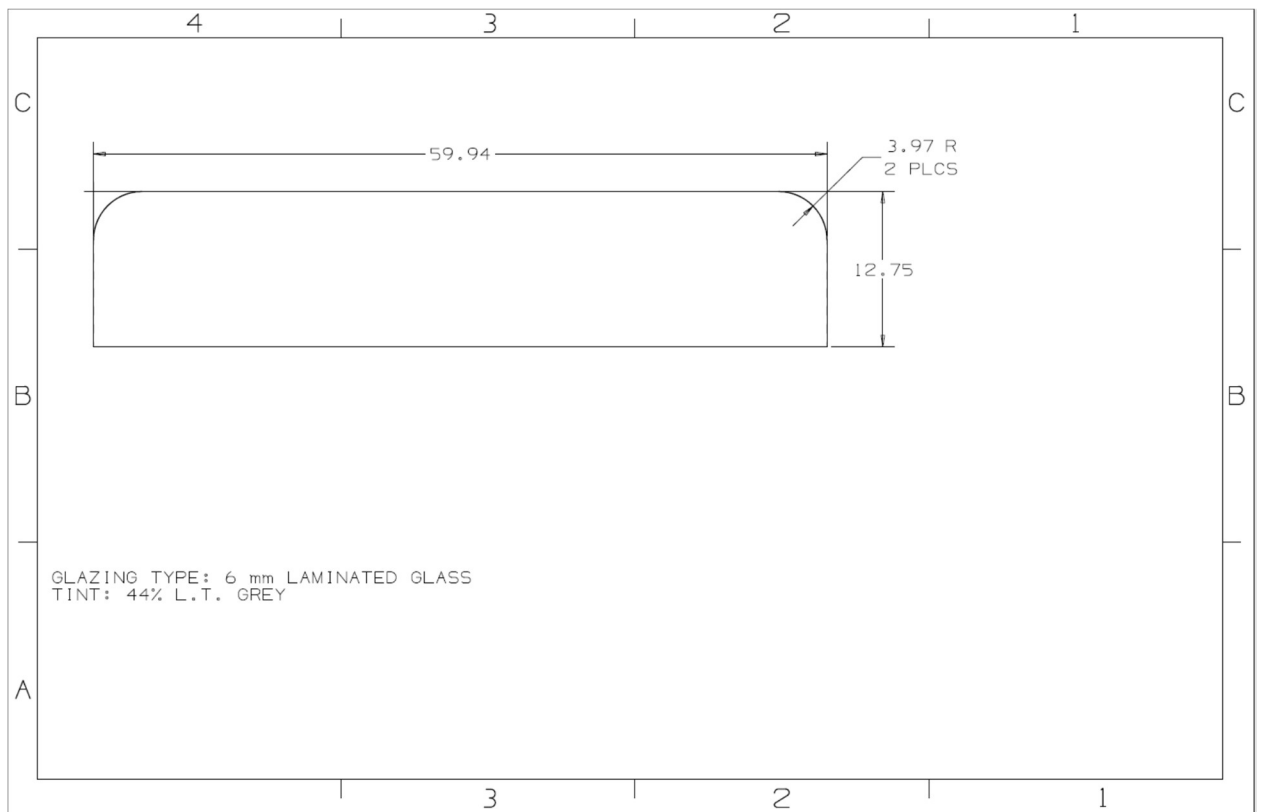
E3.6 New Flyer Part# 6400554 or Laminated Glass 6mm, Green, Pattern 201. See below drawing.



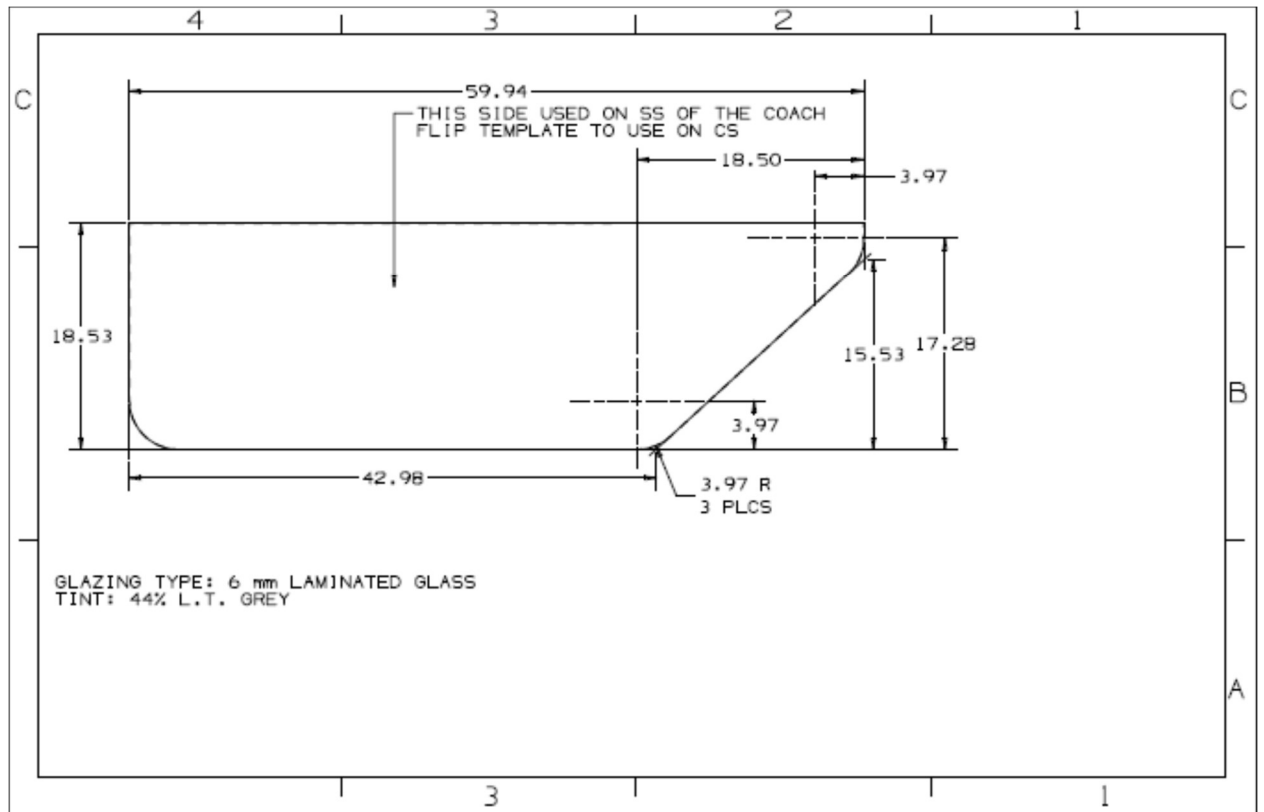
E3.7 New Flyer Part# 6398985 or Laminated Glass 6mm, Grey, Pattern 202. See below drawing.



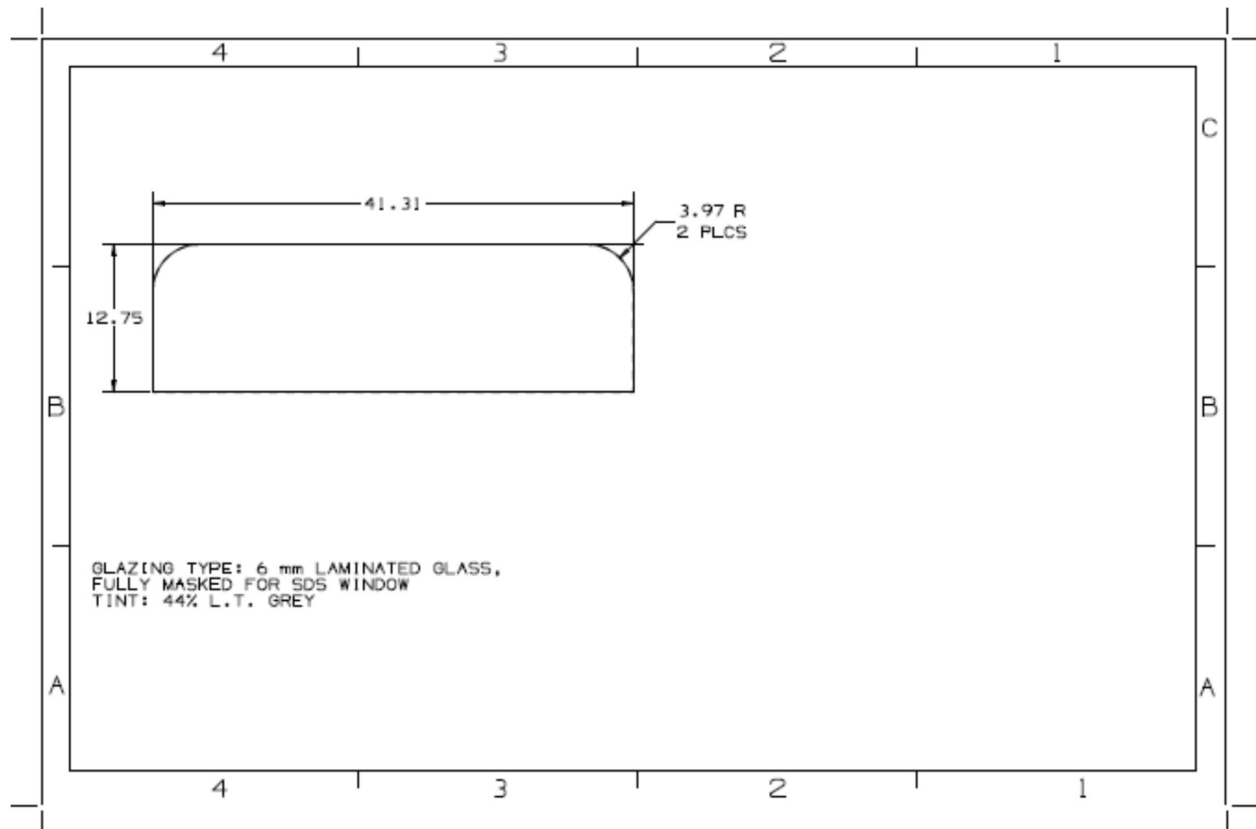
E3.8 New Flyer Part# 6400590 or Laminated Glass 6mm, Grey, Pattern 203. See below drawing.



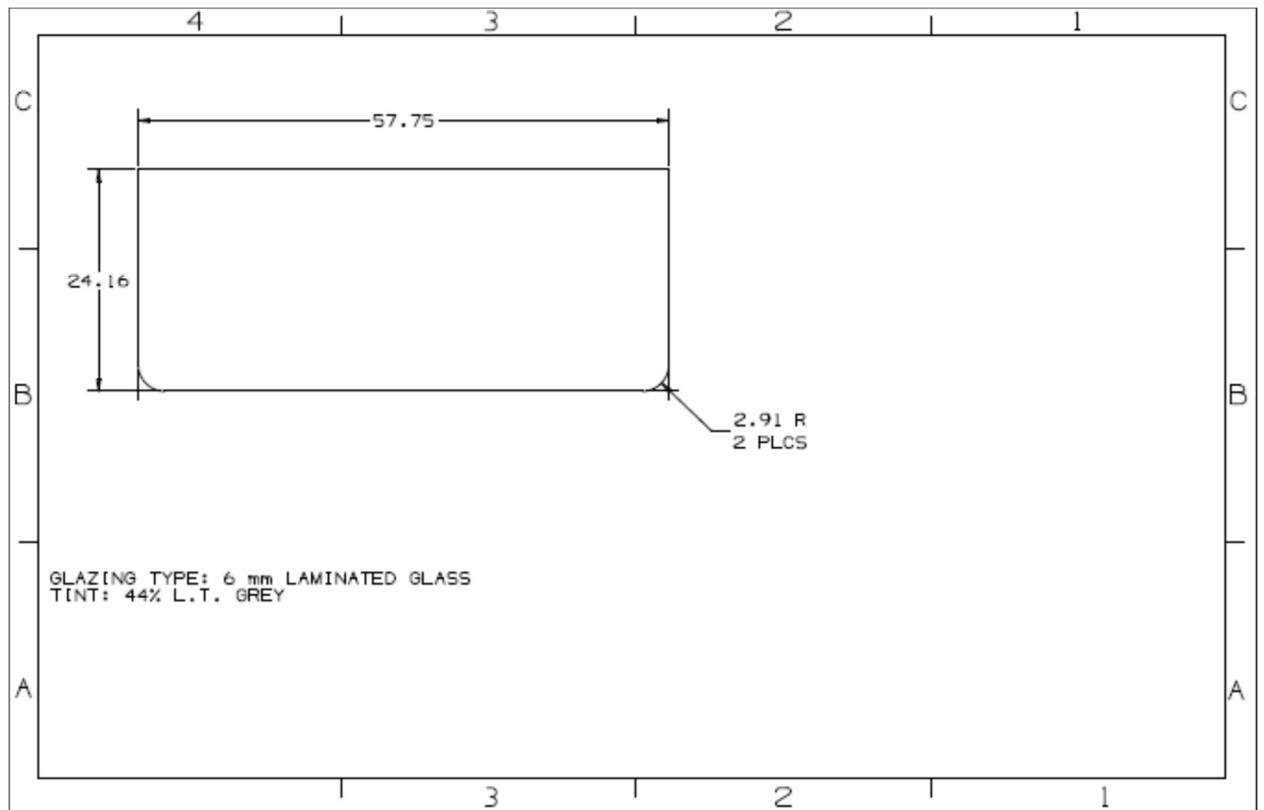
E3.9 New Flyer Part# 6399007 or Laminated Glass 6mm, Grey, Pattern 204. See below drawing.



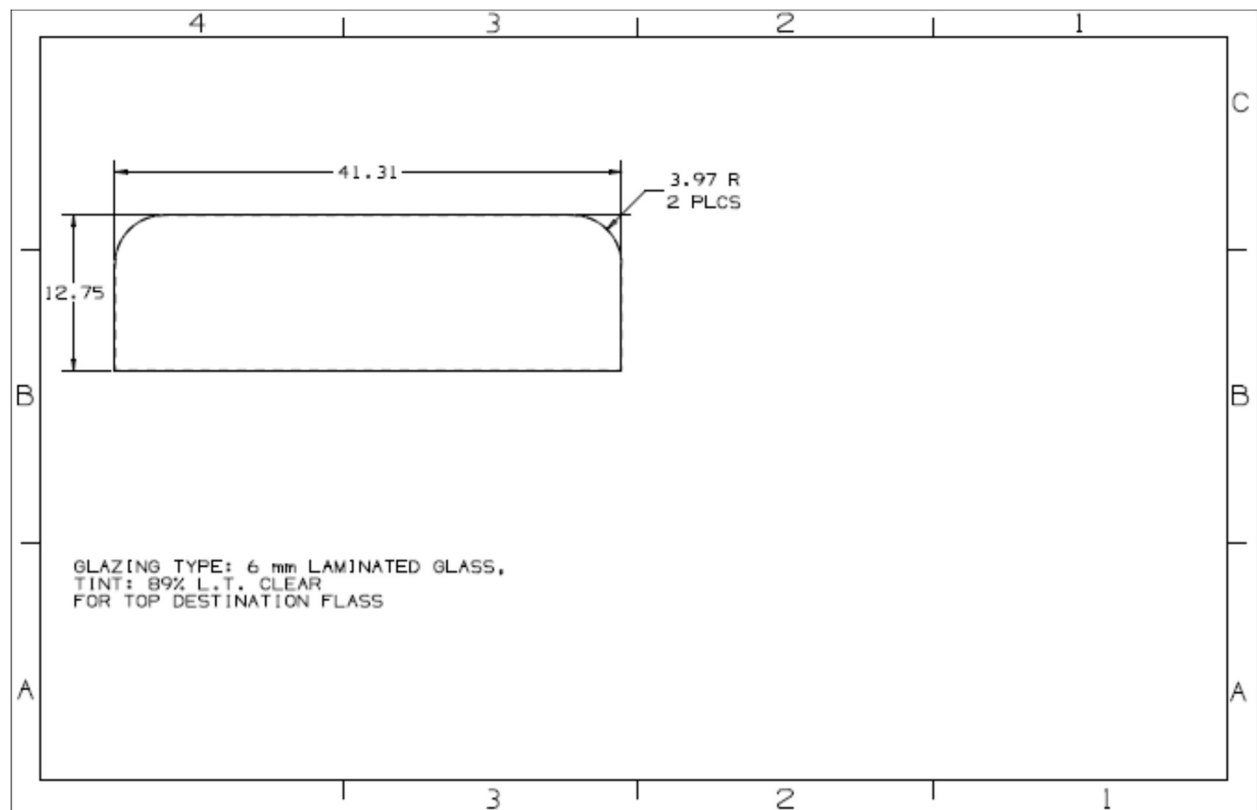
E3.10 New Flyer Part# 6398968 or Laminated Glass 6mm, Grey, Pattern 205. See below drawing.



E3.11 New Flyer Part# 6401850 or Laminated Glass 6mm, Grey, Pattern 206. See below drawing.



E3.12 New Flyer Part# 6399074 or Laminated Glass 6mm, Clear Pattern 207: See below drawing.



- E3.13 New Flyer Part# 6398980 or Laminated Glass, Grey, 6mm, 60" x 26 1/16" (2RAC x 2RC); Pattern 208.
- E3.14 New Flyer Part# 6315253 or Laminated Glass, Clear, 6mm, 38 1/8" X 49 1/8" (2RC x 2RC); Pattern 209.
- E3.15 New Flyer Part# 6315254 or Laminated Glass, Grey, 6mm, 48 9/16"x 10 1/16", (2RAC x 2RC); Pattern 210
- E3.16 New Flyer Part# 6315255 or Laminated Glass, Grey, 6mm, 50 1/8" x 19 13/16", (2RAC x 2RC); Pattern 211.
- E3.17 New Flyer Part# 6315250 or Laminated Glass, Grey, 6mm, 46 13/16" x 9 1/16", (2RAC x 2RC); Pattern 212.
- E3.18 New Flyer Part# 6315251 or Laminated Glass, Grey, 6mm, 49" x 26 3/8", (2RAC x 2RC); Pattern 213.
- E3.19 New Flyer Part# 351031 or Laminated Glass, Grey, 6mm, 41 5/16" x 12 5/8", (2RAC x 2RAC); Pattern 214.
- E3.20 New Flyer Part# 6312200 or Laminated Glass, Green, 6mm, 37 5/8" x 18 1/16", (2RAC x 2RC); Pattern 215.
- E3.21 New Flyer Part# 6477454 or Laminated Glass, Grey, 6mm, 47" x 12 3/4", (2RAC x 2RC); Pattern 216.
- E3.22 New Flyer Part# 6413222 or Laminated Glass, Grey, 6mm, 44 3/4" x 24", (2RAC x 2RC); Pattern 217.
- E3.23 New Flyer Part# 6413223 or Laminated Glass, Grey, 6mm, 45" x 10 1/2", (2RAC x 2RC); Pattern 218.
- E3.24 New Flyer Part# 6413224 or Laminated Glass, Grey, 6mm, 47" x 26", (2RAC x 2RC); Pattern 219.
- E3.25 The City of Winnipeg Transit Department will supply templates of current stock to the successful Contractor after the award of contract and a set of back-up templates will remain with Winnipeg Transit, to measure all incoming orders.
- E3.26 The City of Winnipeg Transit Department will supply templates as new patterns are placed into stock, each pattern will be issued with a new control number, and a set of back-up templates will remain with Winnipeg Transit, to measure all incoming orders.