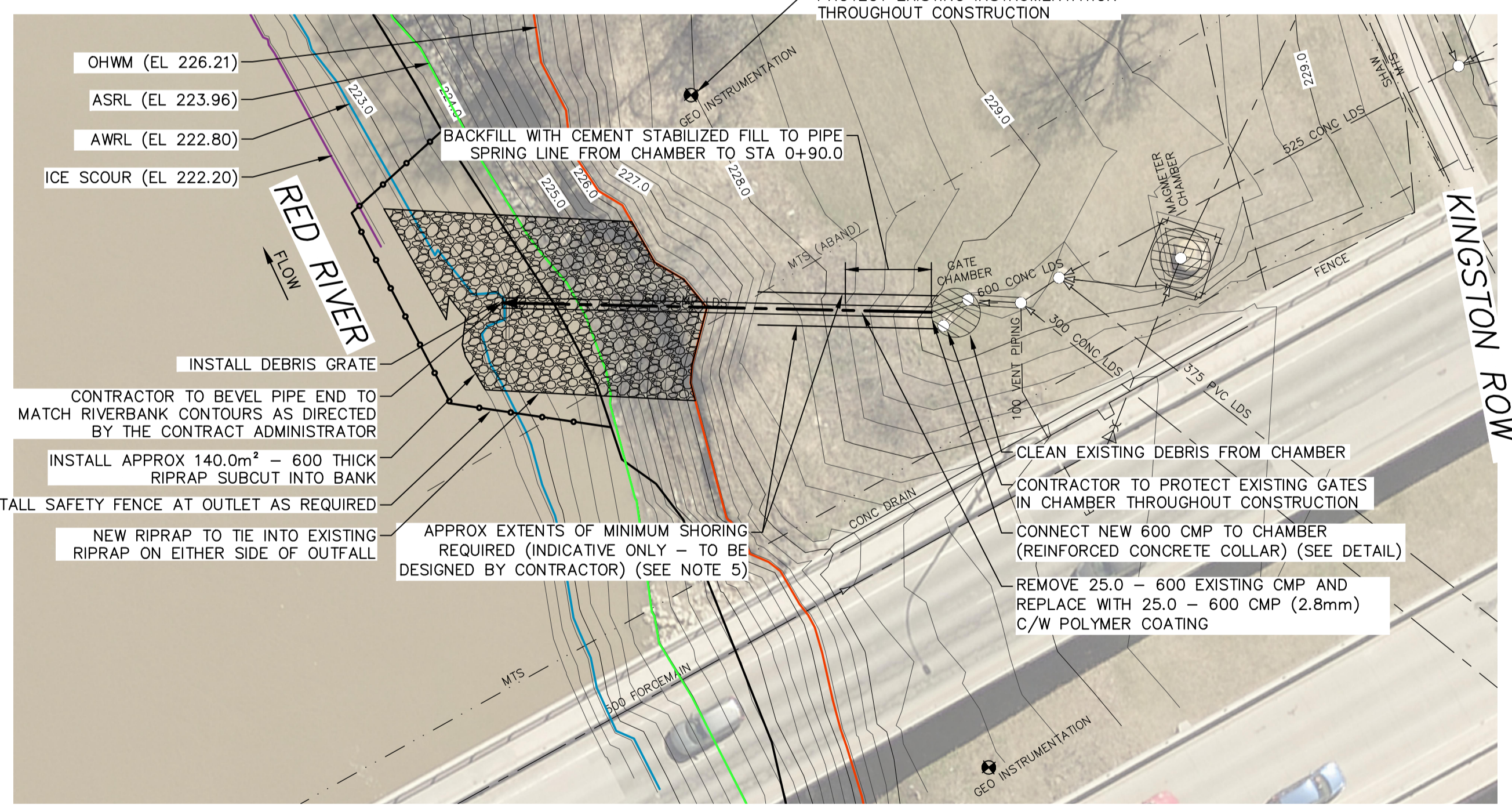
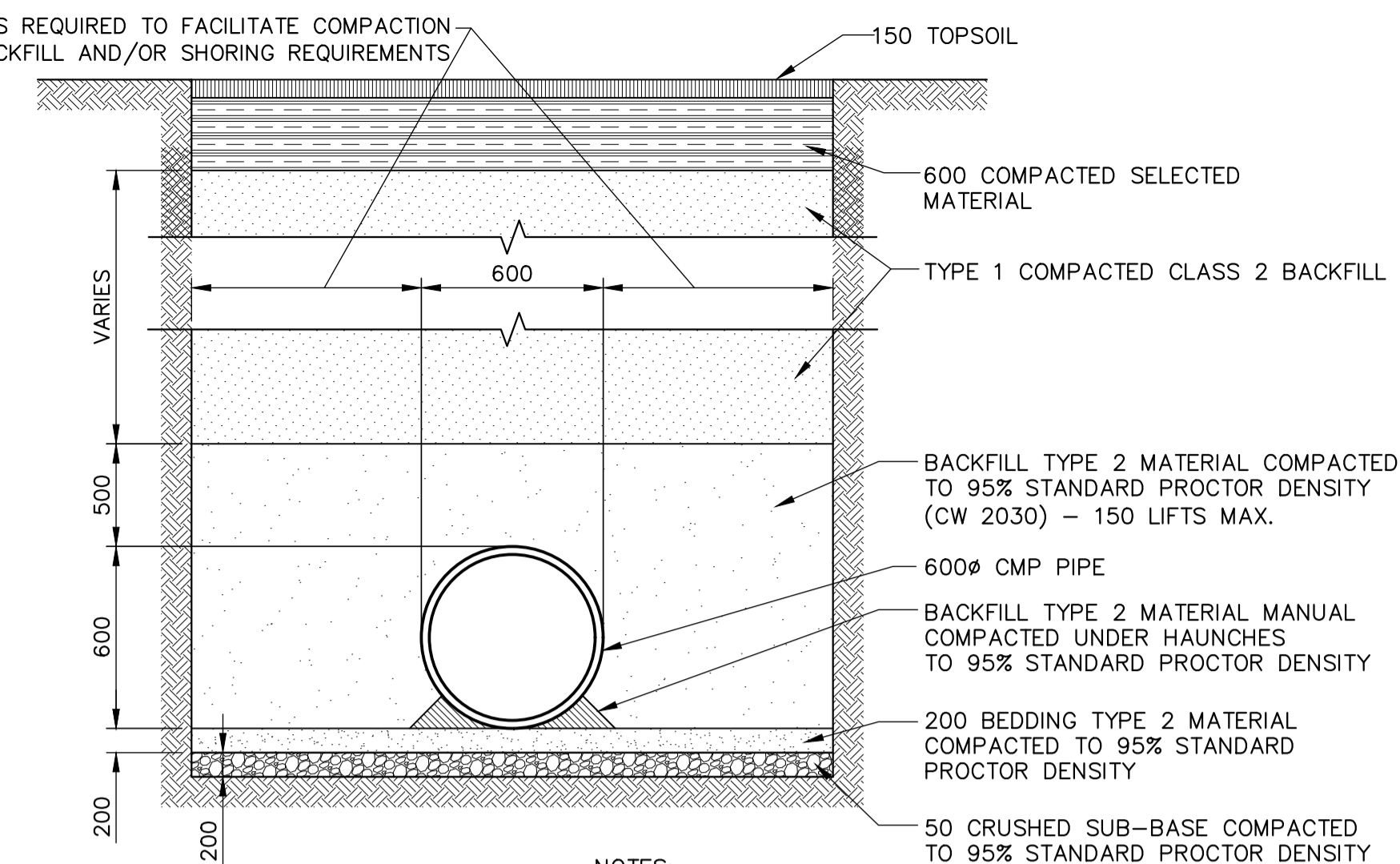


NOTE: CHAINAGES SHOWN ARE ALONG ϕ EXISTING OUTFALL

SEE 1-03030-C0041-001 FOR ADJACENT 143 KINGSTON ROW OUTFALL REHABILITATION



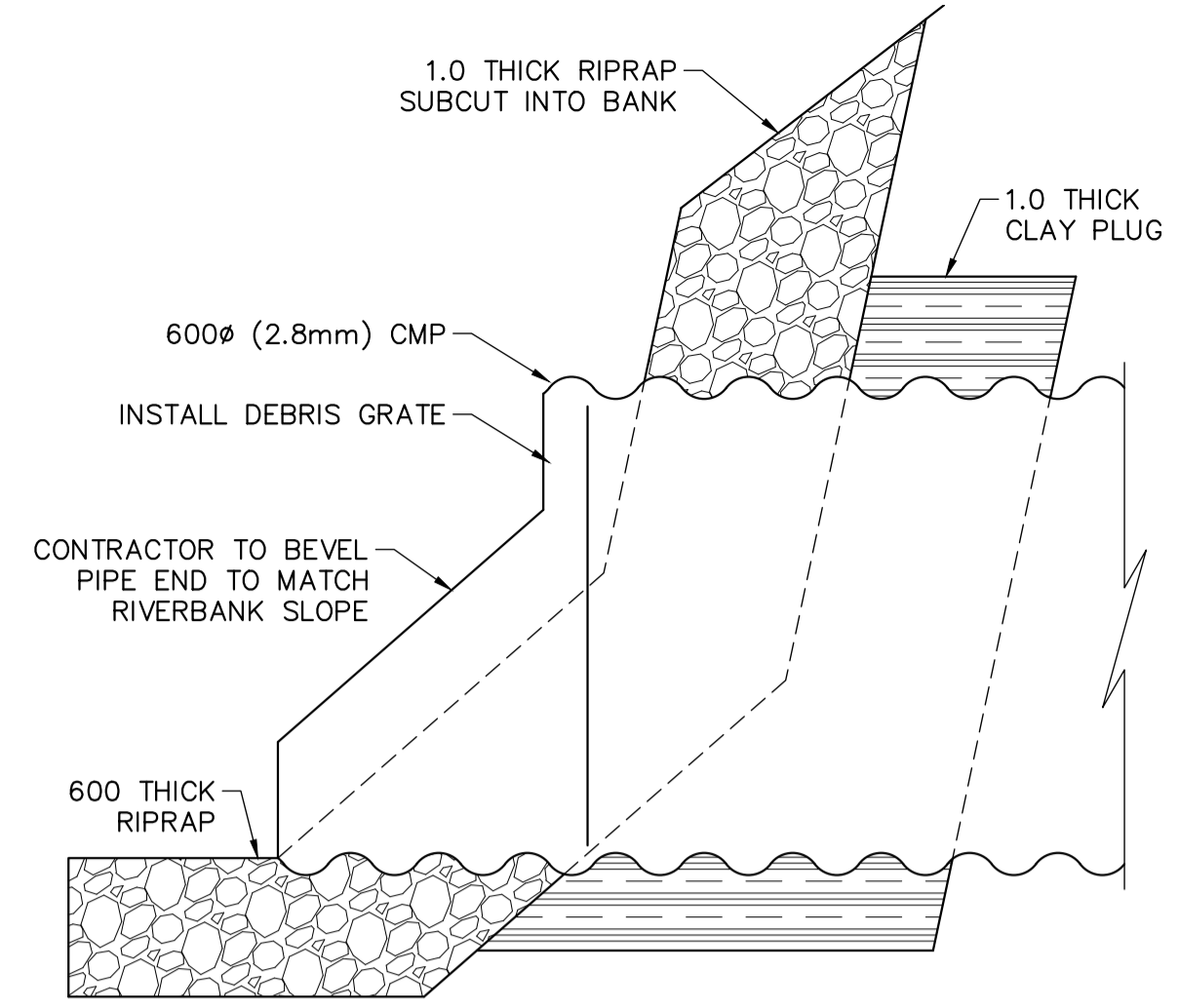
PLAN SCALE 1:250



- NOTES:
- NO STOCKPILING OF MATERIAL WITHIN 107.0 OF (ASRL). ALL EXCAVATED MATERIAL TO BE REMOVED FROM SITE.
 - CONTRACTOR TO PROVIDE TEMPORARY SHORING WHERE REQUIRED IN ACCORDANCE WITH SPECIFICATIONS.
 - CONTRACTOR TO SUPPLY HEATING AND HOARDING TO ACHIEVE COMPACTION OF BEDDING AND BACKFILL.

PIPE BACKFILL DETAIL SCALE: NTS

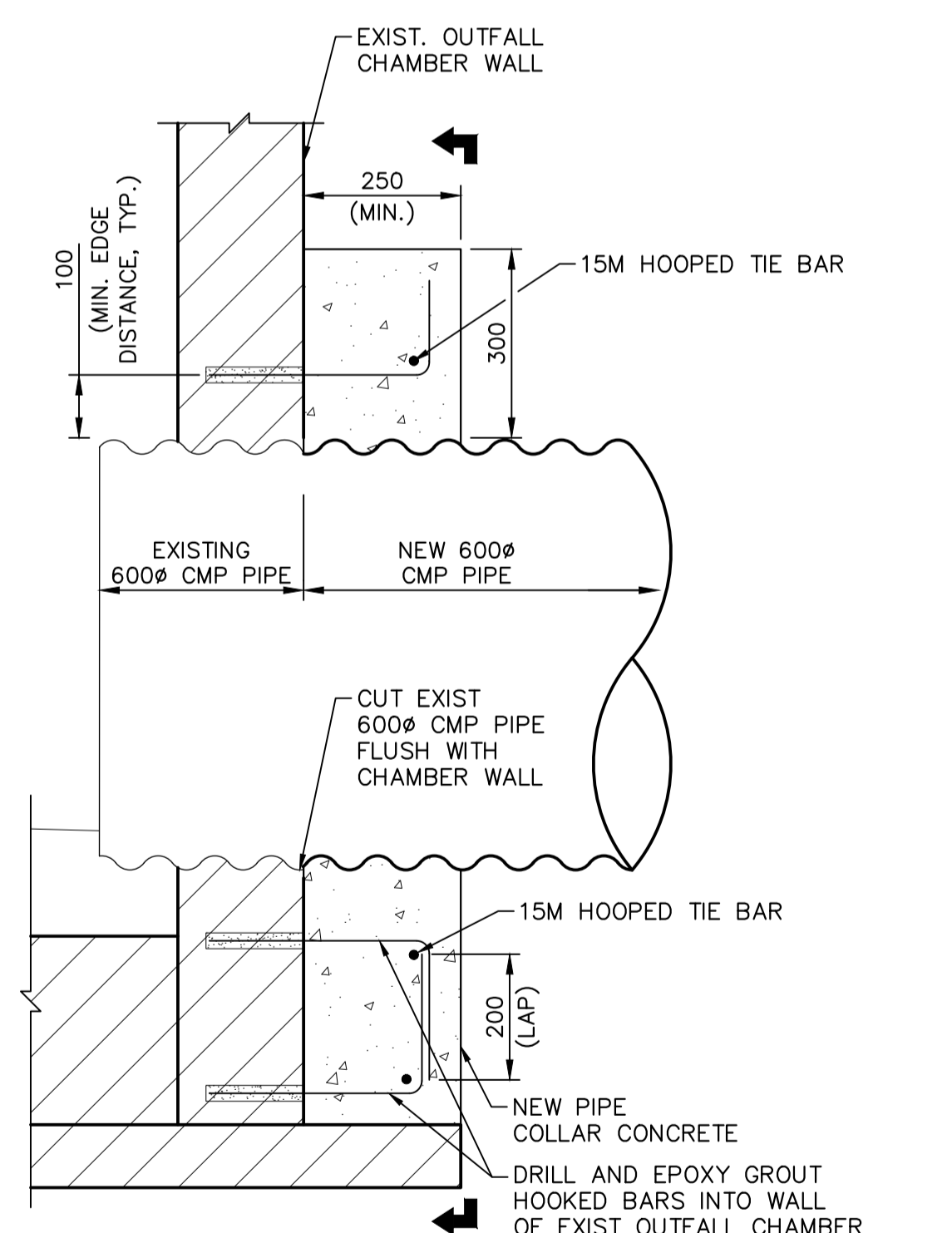
- NOTES:
- ALL EXCAVATED MATERIAL WITHIN 107.0 OF THE ASRL MUST BE REMOVED FROM SITE (NO STOCKPILING).
 - CONSTRUCT CLAY COFFERDAM AT RIVER AS REQUIRED (SEE DWG 1-03030-C0063-001).
 - CONTRACTOR TO RESTORE SITE, INCLUDING SIDEWALKS, ROAD, CURBS, AND LANDSCAPING TO PRE-CONSTRUCTION CONDITIONS.
 - CONTRACTOR IS ADVISED THAT WORK BY OTHERS FOR THE BALTIMORE FORCEMAIN PROJECT IS EXPECTED TO BE COMPLETED IN DECEMBER 2021. REFERENCE PART D IN TENDER DOCUMENTS FOR ADDITIONAL DETAILS.
 - TO FACILITATE CONNECTION TO EXISTING CHAMBER AND PROTECT SURROUNDING INFRASTRUCTURE AND UTILITIES, TEMPORARY SHORING AND/OR ENGINEERED TRENCH BOX IS TO BE USED TO FACILITATE PIPE INSTALLATION WHERE REQUIRED. SHORING IS TO BE DESIGNED AND SEALED BY A PROFESSIONAL ENGINEER IN ACCORDANCE WITH PROVINCE OF MANITOBA WORKPLACE SAFETY & HEALTH ACT.
 - PERMITS AS REQUIRED FOR CONSTRUCTION OF TEMPORARY ACCESS IS THE RESPONSIBILITY OF THE CONTRACTOR.



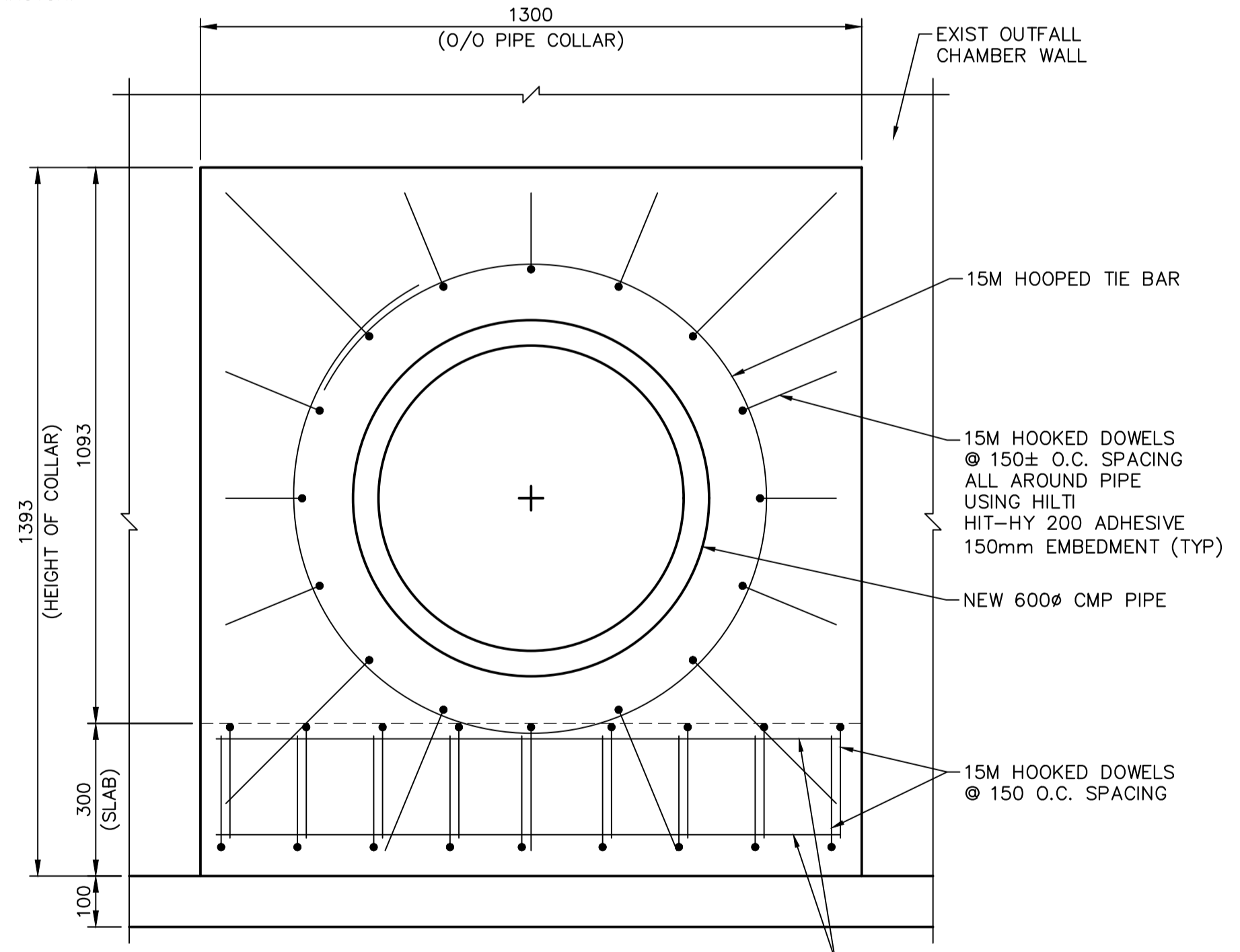
CULVERT END DETAIL SCALE: NTS



PIPE OUTLET LOOKING WEST DATE 2020-10



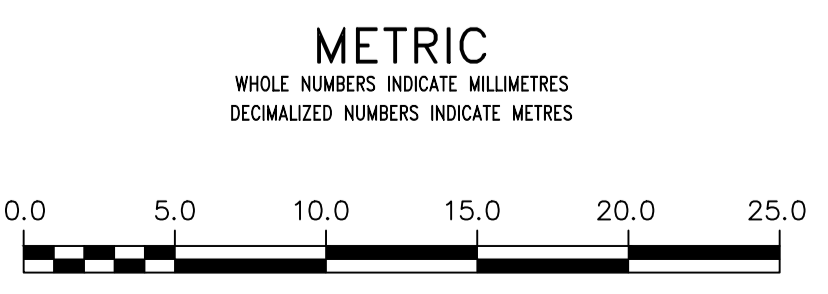
CONCRETE COLLAR CONNECTION DETAIL SCALE: 1:10



SECTION B - B SCALE: 1:10

ENGINEERS GEOSCIENTISTS MANITOBA
Certificate of Authorization
KGS Group
No. 245

FOR INDEX PAGE SEE DWG 1-03030-D0009-001



WARNING
IF POWER EQUIPMENT OR EXPLOSIVES ARE TO BE USED FOR EXCAVATION ON THIS PROJECT THE CONTRACTOR MUST:
1) NOTIFY THE GAS COMPANY OF THE PROPOSED LOCATION OF EXCAVATION.
2) TAKE PRECAUTION TO AVOID DAMAGE TO GAS COMPANY INSTALLATIONS.
SEE PROVINCIAL REGULATION 210/72 FOR DETAILS

LOCATION APPROVED UNDERGROUND STRUCTURES
SUPV. U/G STRUCTURES COMMITTEE DATE
NOTE:
LOCATION OF UNDERGROUND STRUCTURES AS SHOWN ARE BASED ON THE BEST INFORMATION AVAILABLE BUT NO GUARANTEE IS GIVEN THAT ALL EXISTING UTILITIES ARE SHOWN OR THAT THE GIVEN LOCATIONS ARE EXACT. CONFIRMATION OF EXISTENCE AND EXACT LOCATION OF ALL SERVICES MUST BE OBTAINED FROM THE INDIVIDUAL UTILITIES BEFORE PROCEEDING WITH CONSTRUCTION.

B.M. ELEV.	NO.	ISSUED FOR TENDER	DATE	BY
	0	ISSUED FOR TENDER	2021 11 05	
		REVISIONS	DATE	BY

KGS GROUP

DESIGNED BY	NGV	CHECKED BY	
DRAWN BY	GEL	APPROVED BY	
SCALE:	HORIZONTAL 1:250 VERTICAL 1:50	RELEASED FOR CONSTRUCTION	
DATE	2021 11 04	DATE	

PLOT DATE: 2021 11 04

ENGINEER'S SEAL
CONSULTANT DRAWING NUMBER
1-03030-C0040-001

THE CITY OF WINNIPEG
WATER AND WASTE DEPARTMENT
ENGINEERING DIVISION

2020-2021 OUTFALL PROGRAM
RENEWAL AND REHABILITATION

KINGSTON ROW & DUNKIRK DRIVE OUTFALL
PLAN AND PROFILE
S-MA50017492

SHEET 3 OF 26
CITY DRAWING NUMBER
1-03030-C0040-001