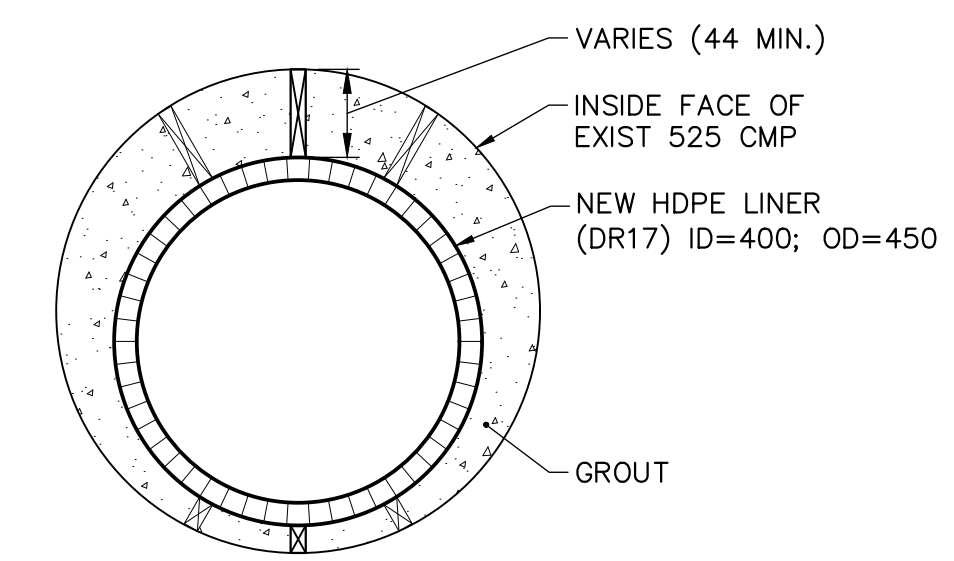
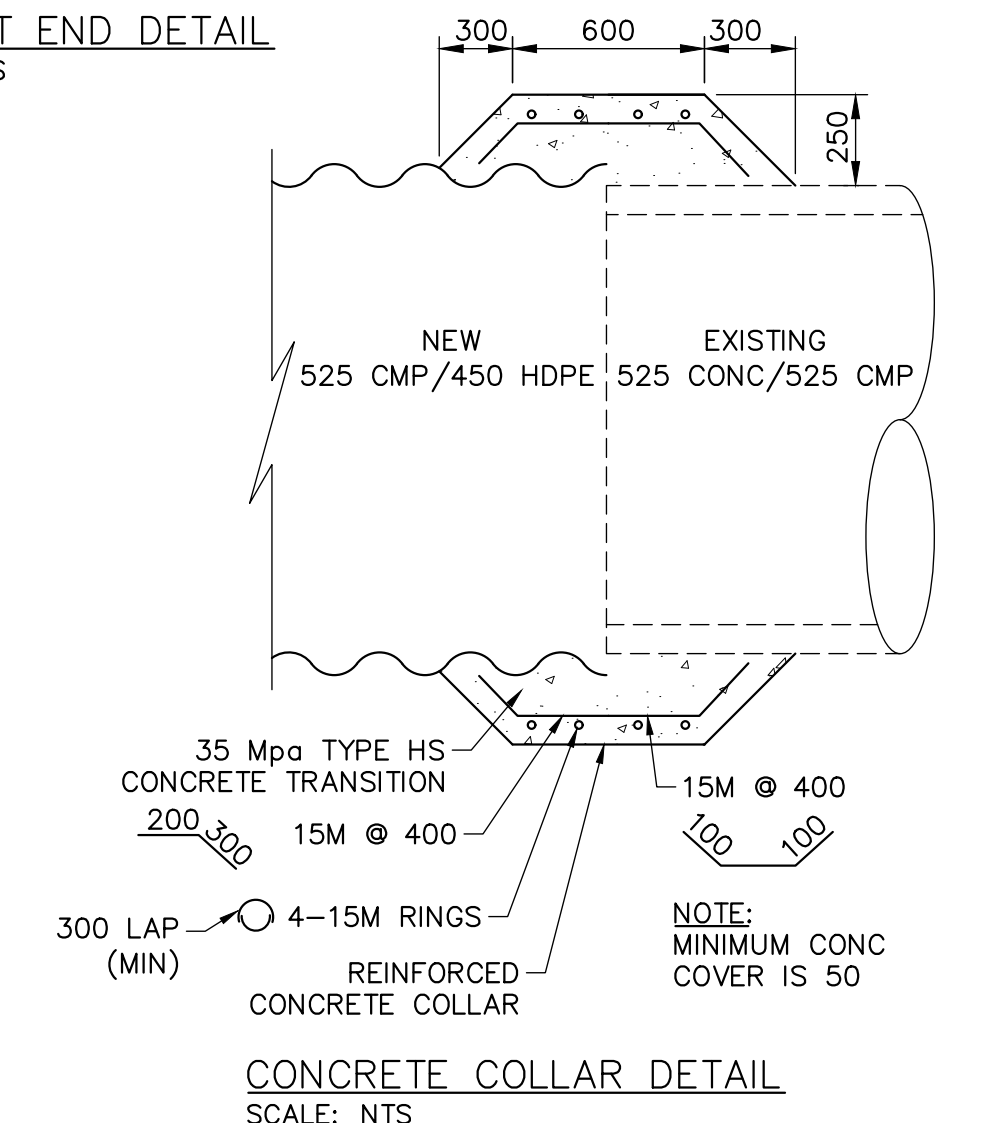
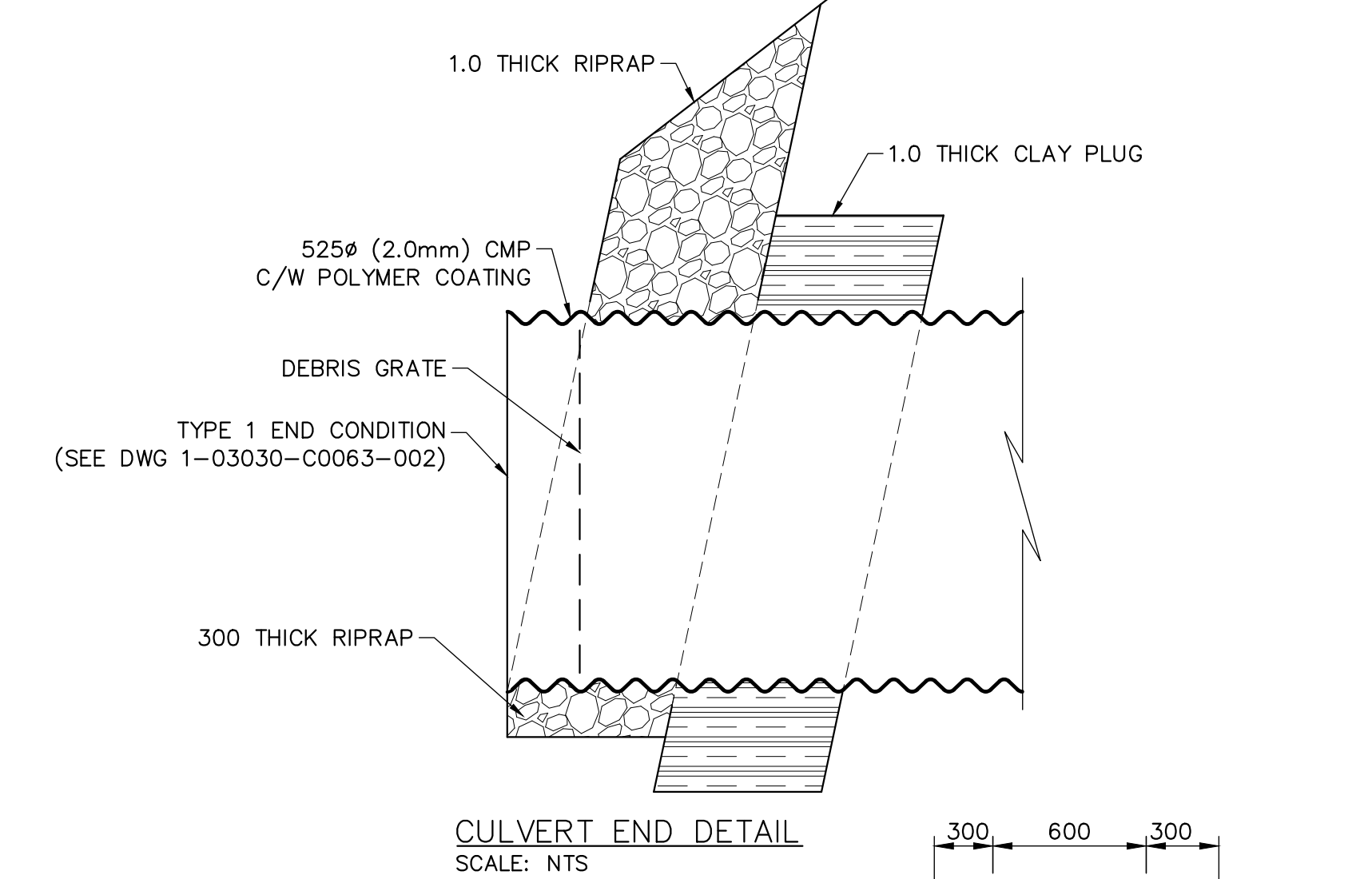
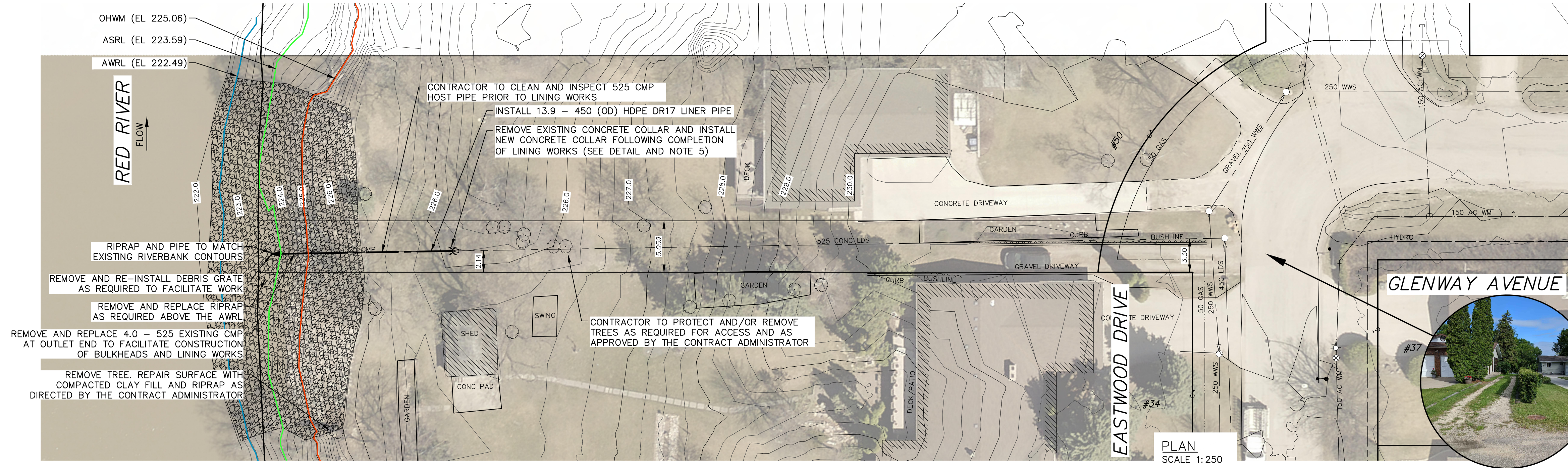


NOTE: CHAINAGES SHOWN ARE ALONG  $\phi$  EXISTING OUTFALL

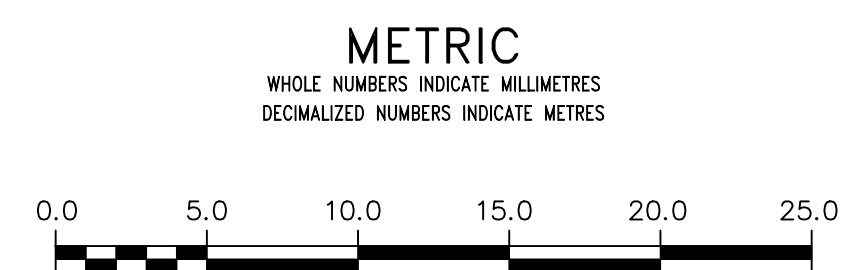
- NOTES:
1. ALL EXCAVATED MATERIAL WITHIN 107.0 OF THE ASRL MUST BE REMOVED FROM SITE (NO STOCKPILING).
  2. CONSTRUCT TEMPORARY CLAY COFFERDAM AT RIVER AS REQUIRED (SEE DWG 1-03030-C0063-001).
  3. CONTRACTOR IS ADVISED THAT TEMPORARY CONSTRUCTION ACCESS AGREEMENTS WITH ADJACENT HOME OWNERS ARE EXPECTED TO BE IN PLACE AT TIME OF CONSTRUCTION. CONTRACTOR TO PROVIDE ACCESS PLAN TO THE CONTRACT ADMINISTRATOR A MINIMUM OF FIVE (5) BUSINESS DAYS PRIOR TO STARTING CONSTRUCTION. CONTRACTOR NOT TO ACCESS SITE PRIOR TO OBTAINING CONTRACT ADMINISTRATOR'S APPROVAL.
  4. CONTRACTOR TO RESTORE SITE, INCLUDING ROAD, CURBS, DRIVEWAYS, AND LANDSCAPING FEATURES TO PRE-CONSTRUCTION CONDITION.
  5. LINE ITEMS FOR REMOVAL AND REPLACEMENT OF EXISTING 525 CONC PIPE ARE INCLUDED IN THE CONTRACT AS REQUIRED TO FACILITATE REMOVAL OF EXISTING COLLAR.
  6. CONTRACTOR TO RESTORE SITE TO PRE-CONSTRUCTION CONTOURS AND ELEVATIONS.



NOTE: INSTALLATION OF HDPE REQUIRES SPACERS AND OR WEIGHTS TO ENSURE LINER REMAINS IN DESIGNED POSITION (SPACERS DESIGNED BY THE CONTRACTOR)



FOR INDEX PAGE SEE DWG 1-03030-D0009-001



**WARNING**  
IF POWER EQUIPMENT OR EXPLOSIVES ARE TO BE USED FOR EXCAVATION ON THIS PROJECT THE CONTRACTOR MUST:  
1) NOTIFY THE GAS COMPANY OF THE PROPOSED LOCATION OF EXCAVATION.  
2) TAKE PRECAUTION TO AVOID DAMAGE TO GAS COMPANY INSTALLATIONS.  
SEE PROVINCIAL REGULATION 210/72 FOR DETAILS

**LOCATION APPROVED UNDERGROUND STRUCTURES**  
SUPV. U/G STRUCTURES COMMITTEE DATE  
NOTE: LOCATION OF UNDERGROUND STRUCTURES AS SHOWN ARE BASED ON THE BEST INFORMATION AVAILABLE BUT NO GUARANTEE IS GIVEN THAT ALL EXISTING UTILITIES ARE SHOWN OR THAT THE GIVEN LOCATIONS ARE EXACT. CONFIRMATION OF EXISTENCE AND EXACT LOCATION OF ALL SERVICES MUST BE OBTAINED FROM THE INDIVIDUAL UTILITIES BEFORE PROCEEDING WITH CONSTRUCTION.

B.M. ELEV.	NO.	ISSUED FOR TENDER	DATE	BY
	0	ISSUED FOR TENDER	2021 11 05	
		REVISIONS	DATE	BY

**KGS GROUP**

DESIGNED BY	NGV	CHECKED BY	
DRAWN BY	GEL	APPROVED BY	
SCALE:		RELEASED FOR CONSTRUCTION	
HORIZONTAL	1:250	DATE	2021 11 05
VERTICAL	1:50	DATE	

ENGINEER'S SEAL  
CONSULTANT DRAWING NUMBER  
1-03030-C0043-001

**ES ENGINEERS GEOSCIENTISTS MANITOBA**  
Certificate of Authorization  
KGS Group  
No. 245

**THE CITY OF WINNIPEG**  
WATER AND WASTE DEPARTMENT  
ENGINEERING DIVISION

2020-2021 OUTFALL PROGRAM  
RENEWAL AND REHABILITATION  
**50 EASTWOOD DRIVE OUTFALL**  
PLAN AND PROFILE  
S-MA40000014

SHEET 6 OF 26  
CITY DRAWING NUMBER  
1-03030-C0043-001