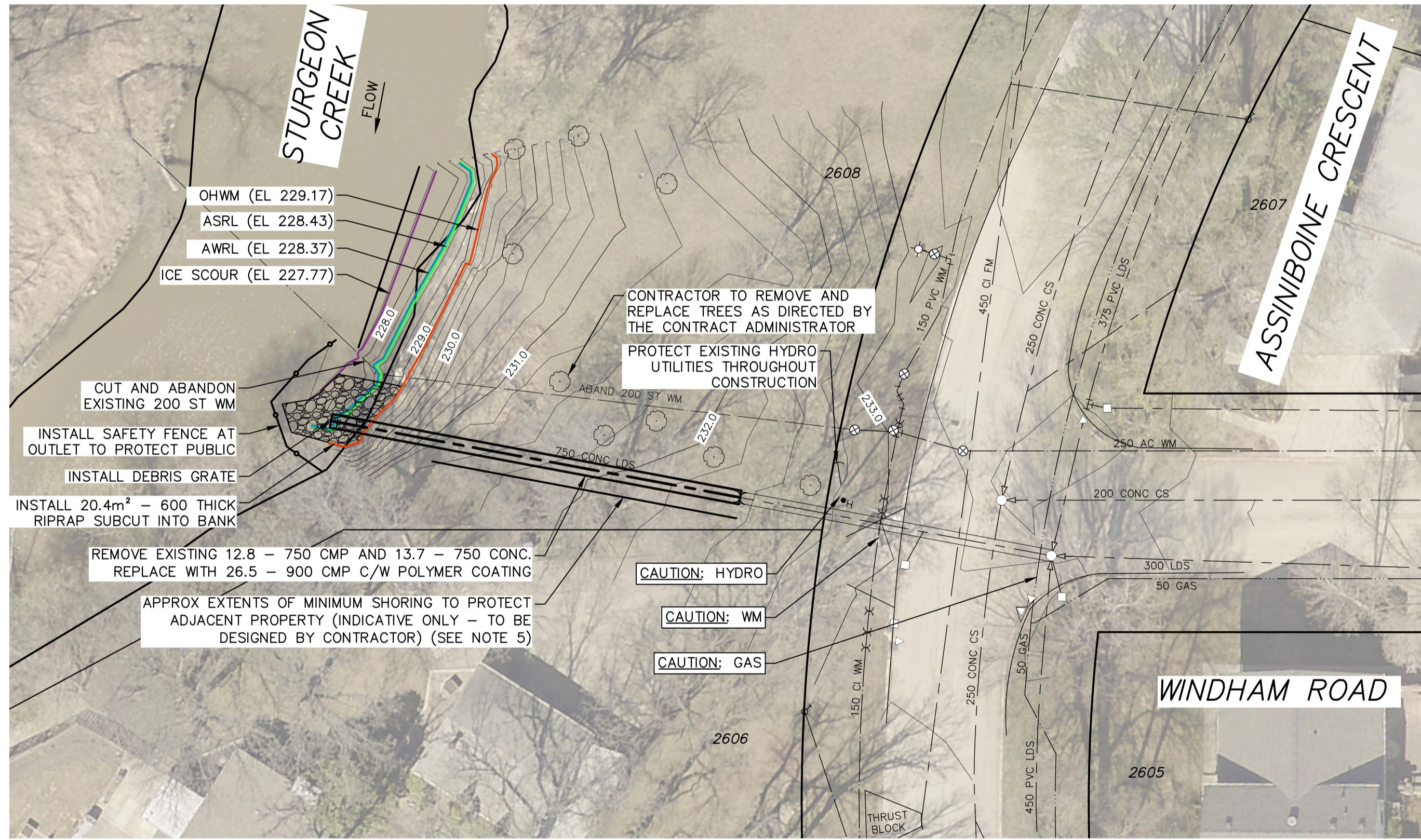
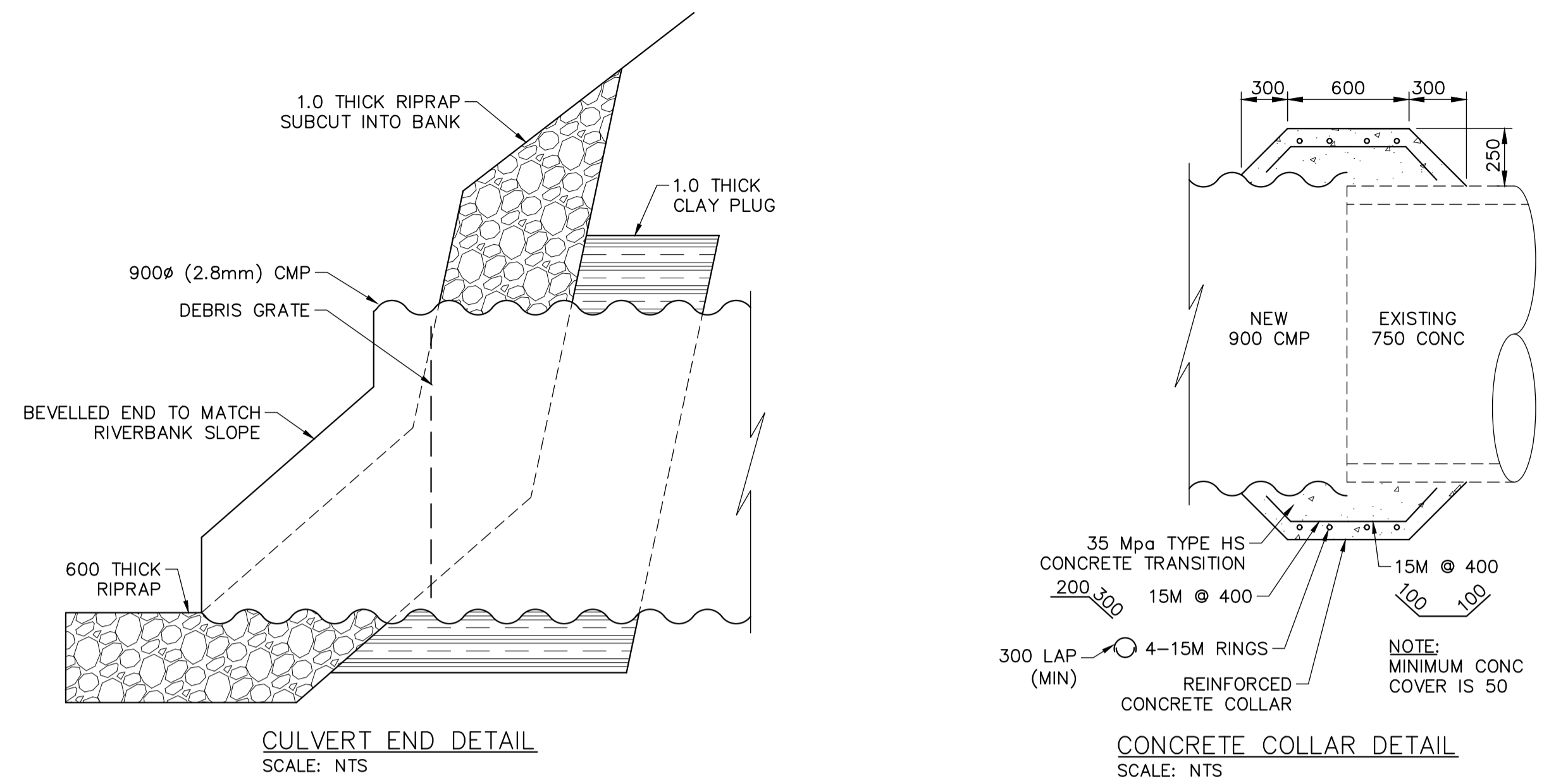
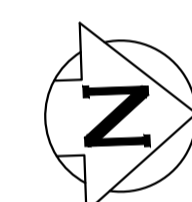


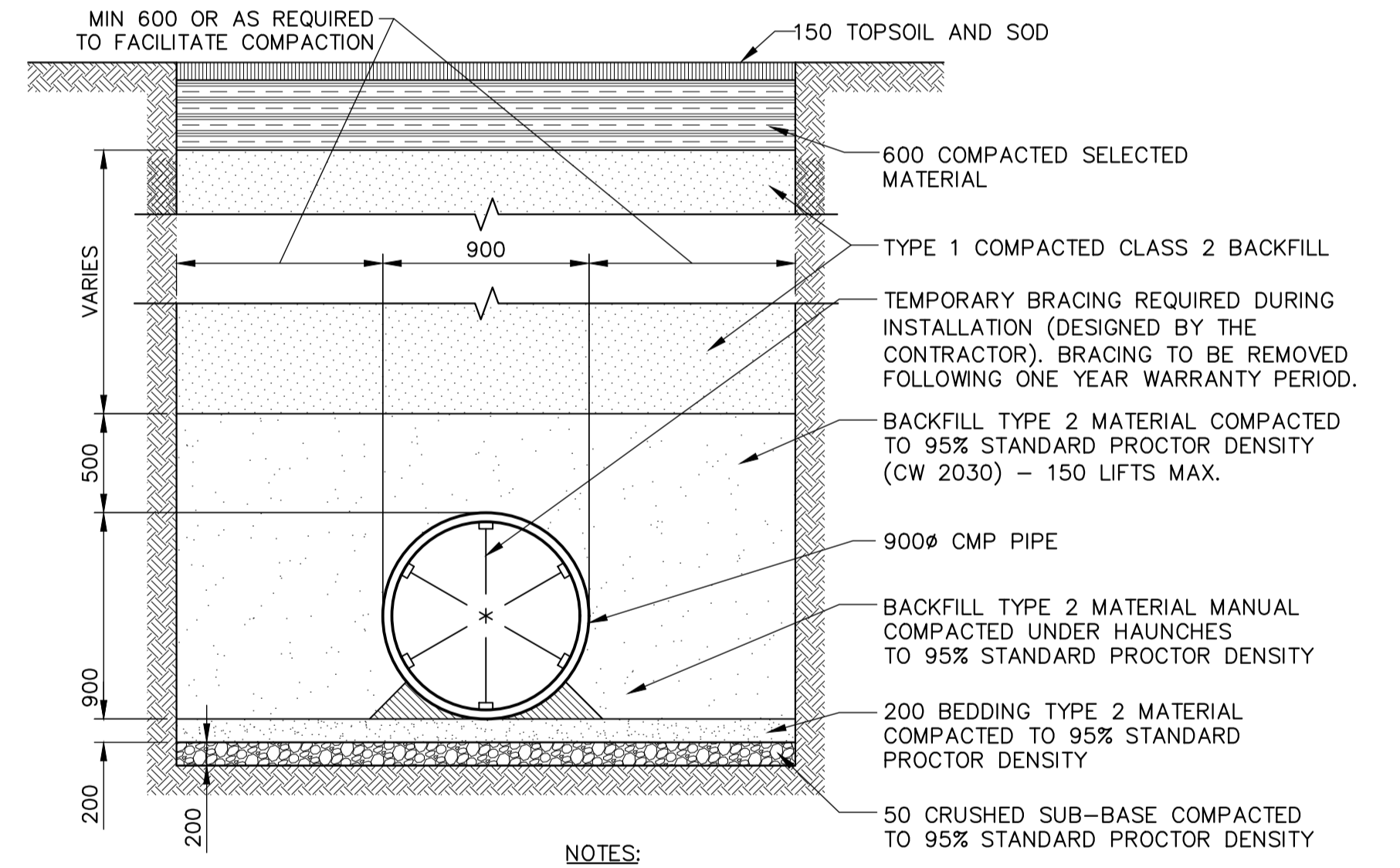
NOTE: CHAINAGES SHOWN ARE ALONG ϕ EXISTING OUTFALL



PLAN SCALE 1:250



- NOTES:**
- ALL EXCAVATED MATERIAL WITHIN 76.0 OF THE ASRL MUST BE REMOVED FROM SITE (NO STOCKPILING).
 - CONSTRUCT TEMPORARY CLAY COFFERDAM AT CREEK AS REQUIRED (SEE DWG 1-03030-C0063-001).
 - CONTRACTOR TO PROVIDE AND INSTALL PROPER WARNING SIGNS CONCERNING WORK SITE.
 - CONTRACTOR TO RESTORE SITE, INCLUDING ROAD AND CURBS, TO PRE-CONSTRUCTION CONDITION.
 - TO ENSURE PROTECTION OF ADJACENT PROPERTY AND REDUCE EXCAVATION FOOTPRINT TO PROTECT TREES ALONG PROPERTY LINE, SHORING AND/OR TRENCHBOX SHALL BE USED TO FACILITATE PIPE INSTALLATION (DESIGNED AND SEALED BY A PROFESSIONAL ENGINEER AS REQUIRED).



- NOTES:**
- NO STOCKPILING OF MATERIAL WITHIN 76.2 OF (ASRL). ALL EXCAVATED MATERIAL TO BE REMOVED FROM SITE.
 - CONTRACTOR TO PROVIDE TEMPORARY SHORING WHERE REQUIRED IN ACCORDANCE WITH SPECIFICATIONS.
 - CONTRACTOR TO SUPPLY HEATING AND HOARDING TO ACHIEVE COMPACTION OF BEDDING AND BACKFILL.

BACKFILL DETAIL SCALE: NTS

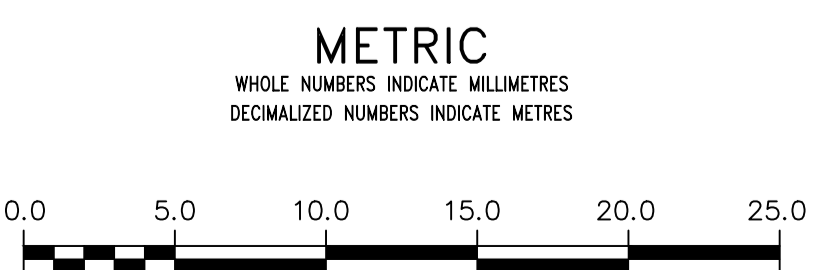
ENGINEERS GEOSCIENTISTS MANITOBA
Certificate of Authorization
KGS Group
No. 245

ENGINEER'S SEAL
CONSULTANT DRAWING NUMBER
1-03030-C0044-001

THE CITY OF WINNIPEG
WATER AND WASTE DEPARTMENT
ENGINEERING DIVISION
2020-2021 OUTFALL PROGRAM
RENEWAL AND REHABILITATION
ASSINIBOINE CRESCENT/WINDHAM ROAD OUTFALL
PLAN AND PROFILE
S-MA20005071

SHEET 7 OF 26
CITY DRAWING NUMBER
1-03030-C0044-001

FOR INDEX PAGE SEE DWG
1-03030-D0009-001



WARNING
IF POWER EQUIPMENT OR EXPLOSIVES ARE TO BE USED FOR EXCAVATION ON THIS PROJECT THE CONTRACTOR MUST:
1) NOTIFY THE GAS COMPANY OF THE PROPOSED LOCATION OF EXCAVATION.
2) TAKE PRECAUTION TO AVOID DAMAGE TO GAS COMPANY INSTALLATIONS.
SEE PROVINCIAL REGULATION 210/72 FOR DETAILS

LOCATION APPROVED
UNDERGROUND STRUCTURES
SUPV. U/G STRUCTURES COMMITTEE DATE
NOTE:
LOCATION OF UNDERGROUND STRUCTURES AS SHOWN ARE BASED ON THE BEST INFORMATION AVAILABLE BUT NO GUARANTEE IS GIVEN THAT ALL EXISTING UTILITIES ARE SHOWN OR THAT THE GIVEN LOCATIONS ARE EXACT. CONFIRMATION OF EXISTENCE AND EXACT LOCATION OF ALL SERVICES MUST BE OBTAINED FROM THE INDIVIDUAL UTILITIES BEFORE PROCEEDING WITH CONSTRUCTION.

B.M.	ELEV.	NO.	ISSUED FOR TENDER	DATE	BY

KGS GROUP	
DESIGNED BY	NGV
CHECKED BY	
DRAWN BY	GEL
APPROVED BY	
SCALE:	
HORIZONTAL	1:250
VERTICAL	1:50
RELEASED FOR CONSTRUCTION	
DATE	2021 11 04
DATE	