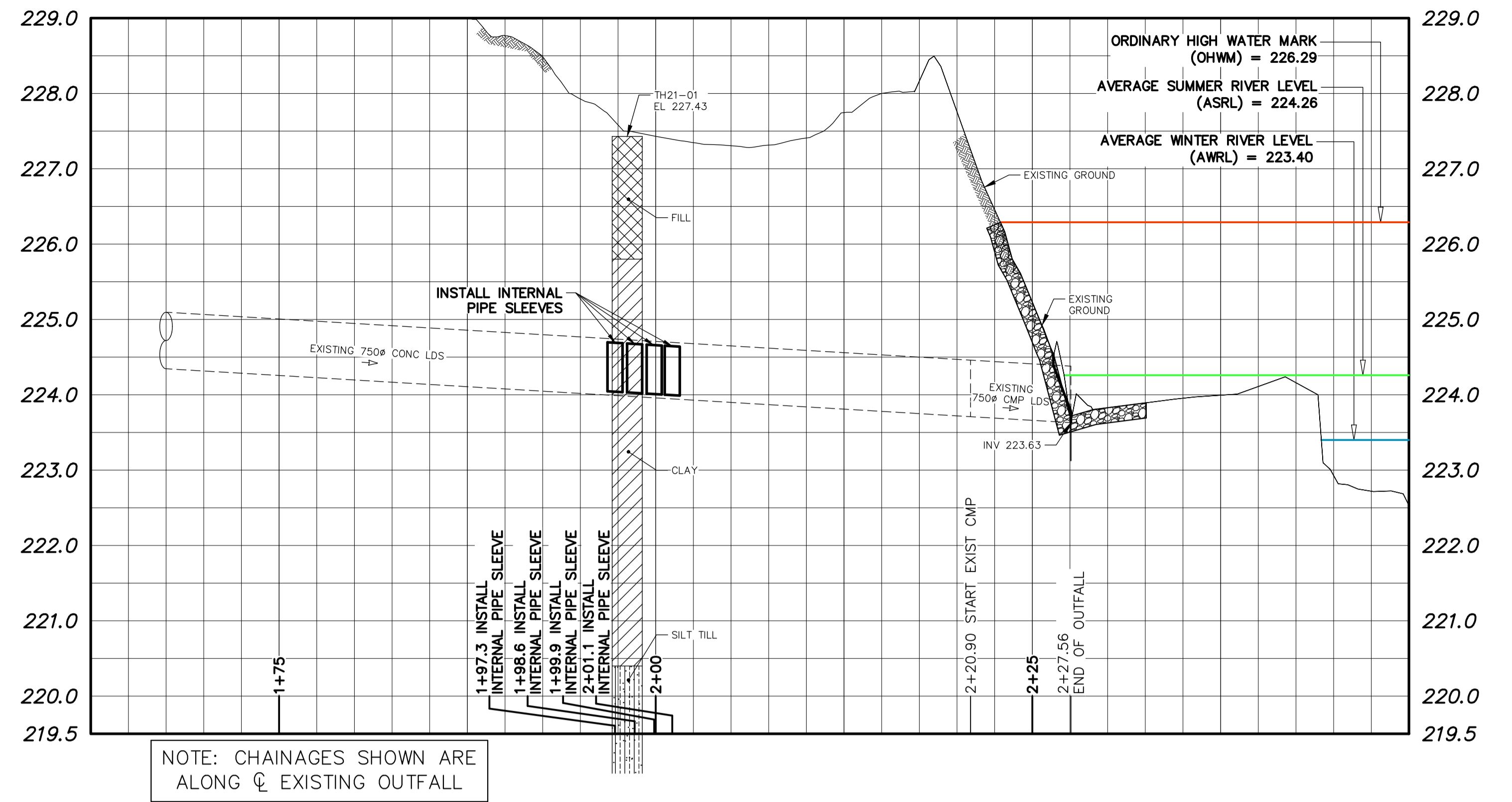
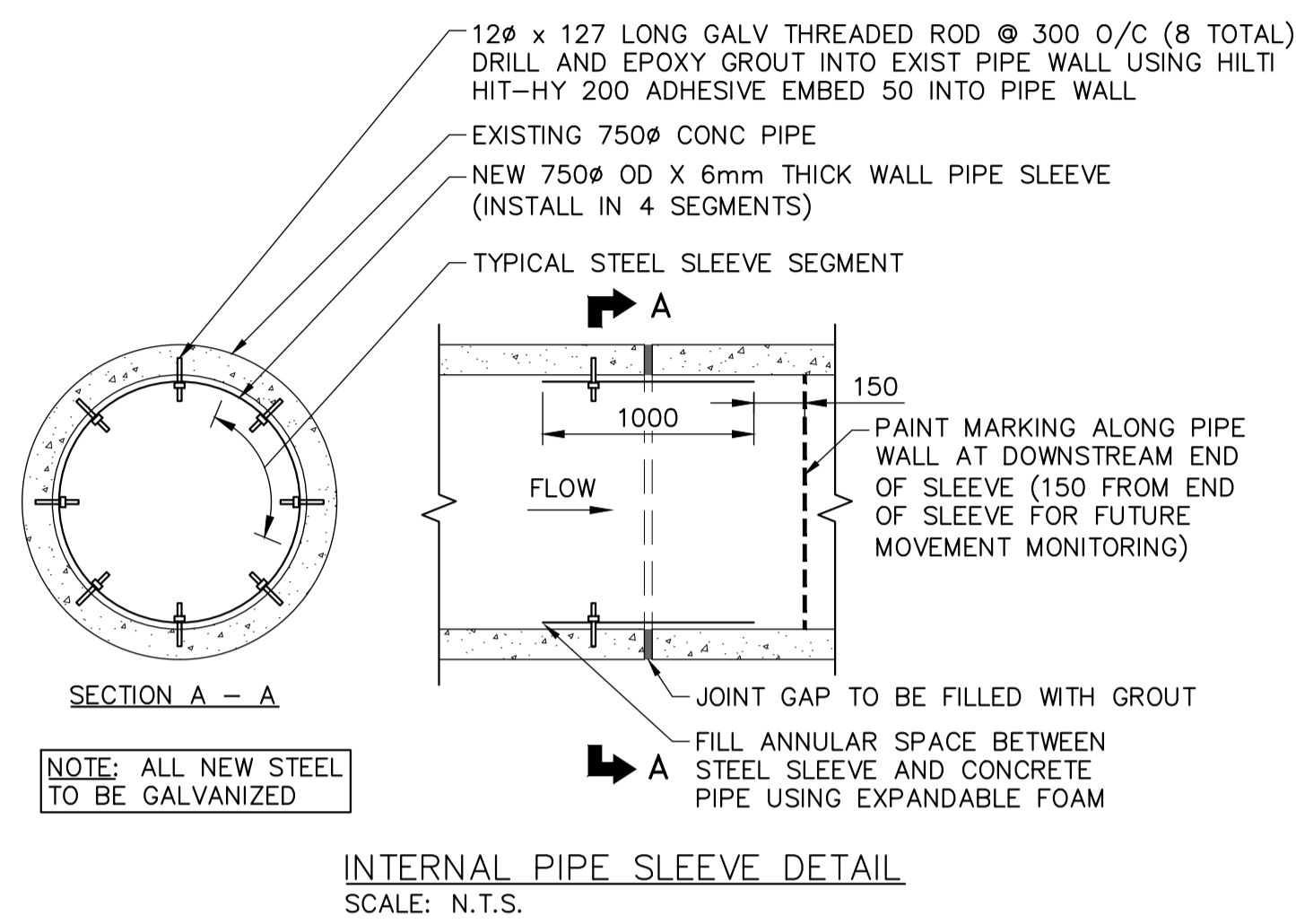
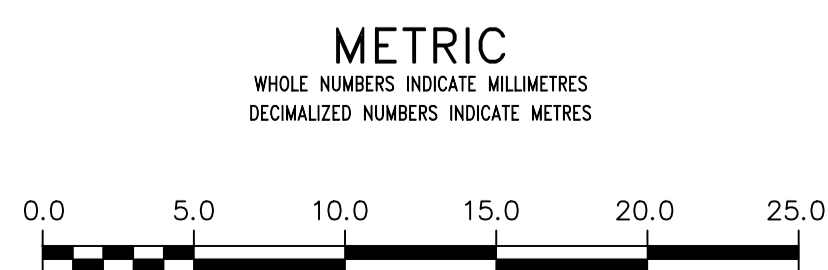


NOTES:

1. ALL EXCAVATED MATERIAL WITHIN 107.0 OF THE ASRL MUST BE REMOVED FROM SITE (NO STOCKPILING).
2. CONTRACTOR IS ADVISED THAT TEMPORARY CONSTRUCTION ACCESS AGREEMENTS WITH ADJACENT HOME OWNERS ARE EXPECTED TO BE IN PLACE AT TIME OF CONSTRUCTION. CONTRACTOR TO PROVIDE PROPOSED ACCESS PLAN AND EQUIPMENT LIST TO THE CONTRACT ADMINISTRATOR FOR REVIEW AND APPROVAL IN ADVANCE OF COMMENCING SITE WORKS.
3. CONTRACTOR SHALL VERIFY LOCATIONS AND ELEVATIONS OF EXISTING UTILITIES, INCLUDING 900 WATER FEEDERMAIN, USING SOFT DIGGING METHODS AS REQUIRED.
4. CONTRACTOR SHALL MAKE EVERY REASONABLE EFFORT TO MINIMIZE TREE CLEARING FOOTPRINT RELATED TO ACCESS. TREES REQUIRING REMOVAL SHALL BE MARKED BY THE CONTRACTOR IN ADVANCE OF ACCESSING SITE AND NOT REMOVED UNTIL APPROVAL HAS BEEN GIVEN BY THE CONTRACT ADMINISTRATOR.



FOR INDEX PAGE SEE DWG
1-03030-D0009-001



WARNING
IF POWER EQUIPMENT OR EXPLOSIVES ARE TO BE USED FOR EXCAVATION ON THIS PROJECT THE CONTRACTOR MUST:
1) NOTIFY THE GAS COMPANY OF THE PROPOSED LOCATION OF EXCAVATION.
2) TAKE PRECAUTION TO AVOID DAMAGE TO GAS COMPANY INSTALLATIONS.
SEE PROVINCIAL REGULATION 210/72 FOR DETAILS

LOCATION APPROVED UNDERGROUND STRUCTURES
SUPV. U/G STRUCTURES COMMITTEE DATE
NOTE:
LOCATION OF UNDERGROUND STRUCTURES AS SHOWN ARE BASED ON THE BEST INFORMATION AVAILABLE BUT NO GUARANTEE IS GIVEN THAT ALL EXISTING UTILITIES ARE SHOWN OR THAT THE GIVEN LOCATIONS ARE EXACT. CONFIRMATION OF EXISTENCE AND EXACT LOCATION OF ALL SERVICES MUST BE OBTAINED FROM THE INDIVIDUAL UTILITIES BEFORE PROCEEDING WITH CONSTRUCTION.

B.M. ELEV.	NO.	ISSUED FOR TENDER	DATE	BY
	0	ISSUED FOR TENDER	2021 11 05	RBO
		REVISIONS	DATE	BY

KGS GROUP	
DESIGNED BY NGV	CHECKED BY RBO
DRAWN BY GEL	APPROVED BY RBO
SCALE: HORIZONTAL 1:250 VERTICAL 1:50	RELEASED FOR CONSTRUCTION
DATE 2021 11 04	DATE

ENGINEER'S SEAL
PROVINCE OF MANITOBA
2021-11-05
R. B. OFFMAN
Member
22707
REGISTERED PROFESSIONAL ENGINEER
CONSULTANT DRAWING NUMBER
1-03030-C0048-001

THE CITY OF WINNIPEG
WATER AND WASTE DEPARTMENT
ENGINEERING DIVISION
2020-2021 OUTFALL PROGRAM
RENEWAL AND REHABILITATION
WELLINGTON CRESCENT OUTFALL
PLAN AND PROFILE
S-MA60007249
SHEET 11 OF 26
CITY DRAWING NUMBER
1-03030-C0048-001