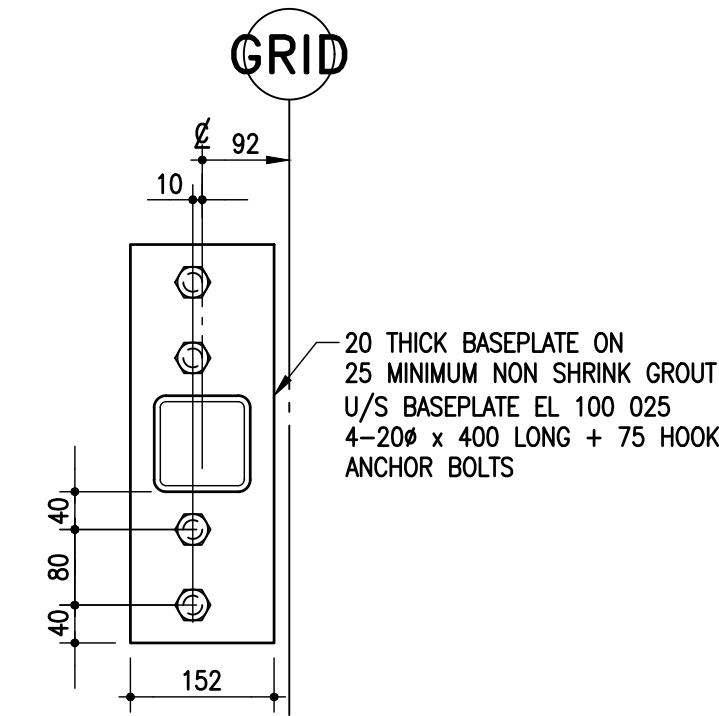
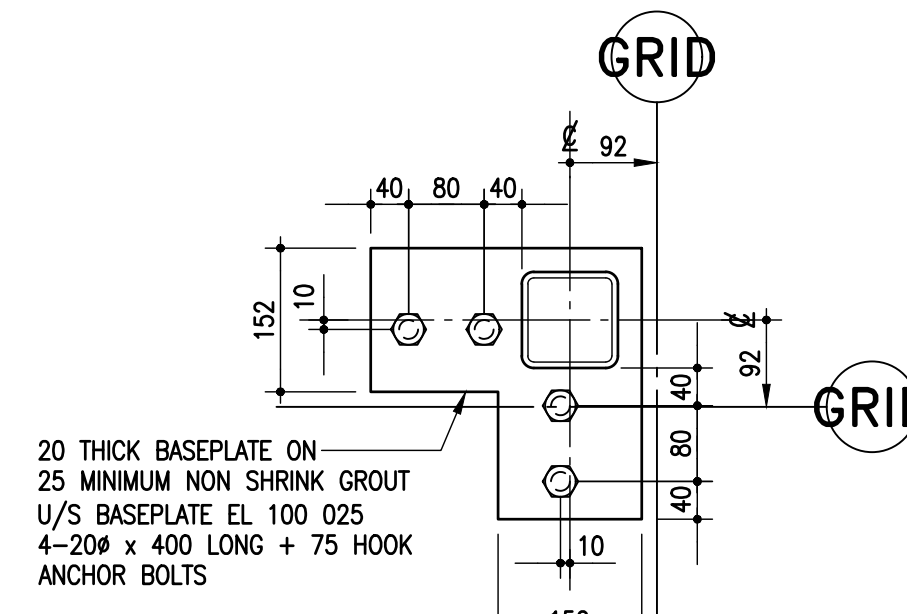


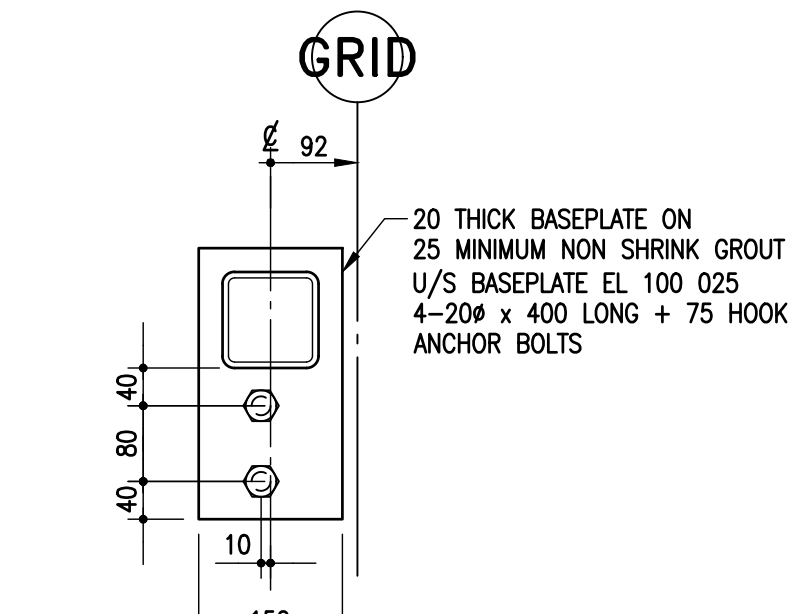
PILE SCHEDULE	
MARK	DESCRIPTION
P1	400# x 6000 LONG CIP PILE
P2	400# x 7000 LONG CIP PILE
P3	400# x 10500 LONG CIP PILE
P4	500# x 10500 LONG CIP PILE
P5	550# x 10500 LONG CIP PILE
P6	600# x 10500 LONG CIP PILE
P7	750# x 10500 LONG CIP PILE



BP1
1 : 8

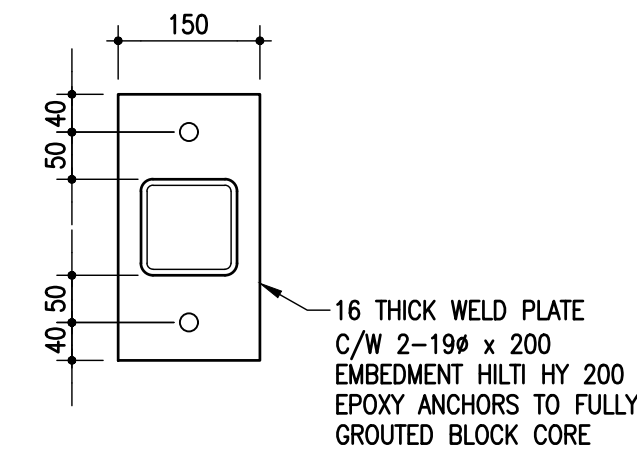


BP2
1 : 8

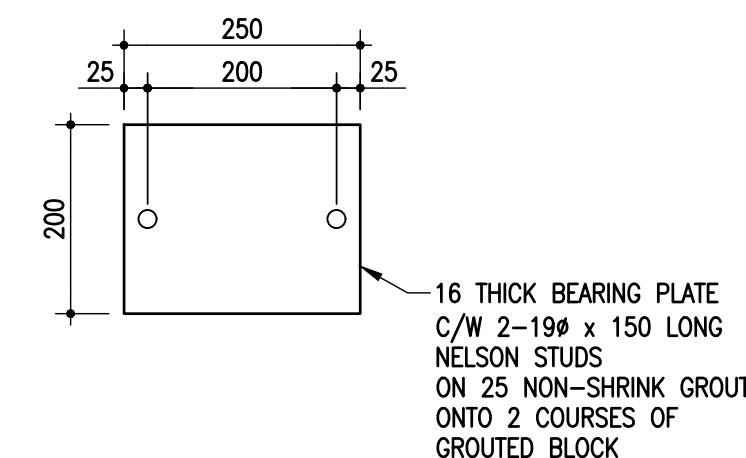


BP3
1 : 8

CONCRETE SLAB SCHEDULE	
MARK	DESCRIPTION
S1	150 CONCRETE SLAB ON MINIMUM 150 COMPACTED GRANULAR FILL ON SUBGRADE PREPARED IN ACCORDANCE WITH GEOTECHNICAL REPORT 10M @ 300 O/C EACH WAY TOP
S2	175 CONCRETE SLAB ON 150 CARDBOARD SHEARMAT 15M @ 200 O/C EACH WAY BOTTOM SEE PLAN FOR TOP REINFORCING OVER INTERIOR PILES



TYPICAL WELD PLATE DETAIL
1 : 8



TYPICAL BEARING PLATE DETAIL
1 : 8

GRADE BEAM SCHEDULE	
MARK	DESCRIPTION
B1	300x800 GRADE BEAM 2-25M TOP AND BOTTOM CONTINUOUS 1-15M HORIZONTAL EACH FACE 10M STIRRUPS @ 300 O/C
B2	200x600 GRADE BEAM 2-20M TOP AND BOTTOM CONTINUOUS 10M STIRRUPS @ 300 O/C
B3	200x800 GRADE BEAM 2-20M TOP AND BOTTOM CONTINUOUS 1-15M HORIZONTAL EACH FACE 10M STIRRUPS @ 400 O/C

NO.	DATE	REVISION / ISSUANCE
3	-	-
2	-	-
1	-	-
0	21.10.29	- ISSUED FOR CONSTRUCTION

Architect

| x | architecture inc.
100 Fort Street, Suite 109 Winnipeg, Manitoba R3C 1C7 204 318 2010

Engineer

300-275 Carlton Street
Winnipeg, Manitoba R3C 5R6
T 204. 943. 7501
F 204. 943. 7507
2021-0367



**Crosier Kilgour
& Partners Ltd.**
CONSULTING STRUCTURAL ENGINEERS

ST. VITAL PARK
GARAGE & STAFF HOUSE
190 RIVER ROAD

Sheet Title

SCHEDULES

Project No.	Sheet
20105	S1.3
21.10.29	