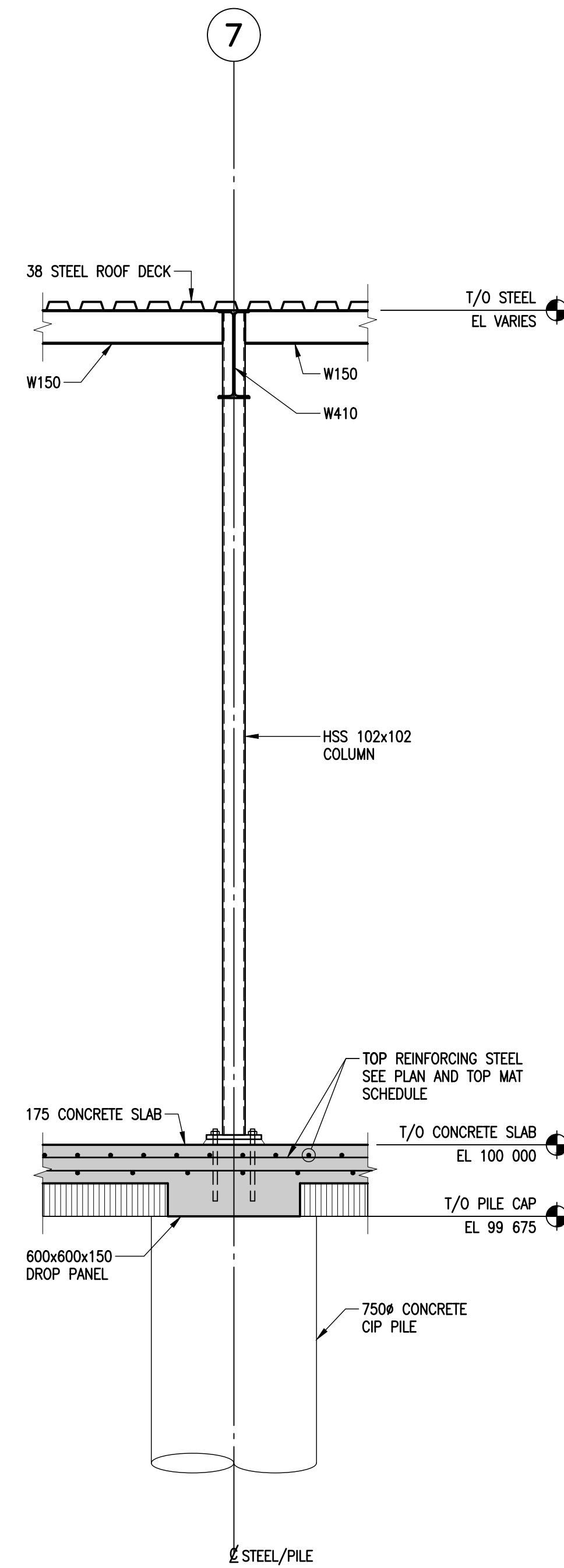
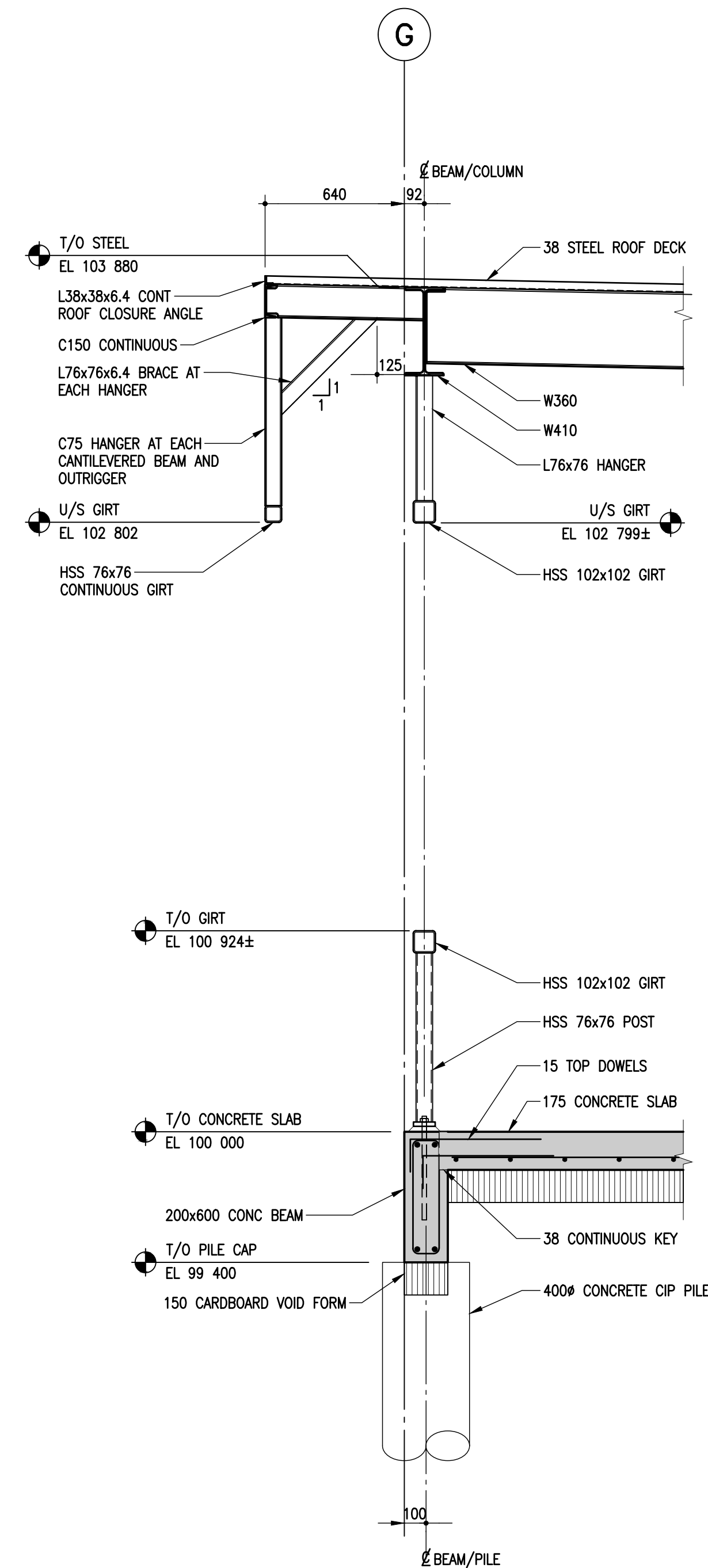




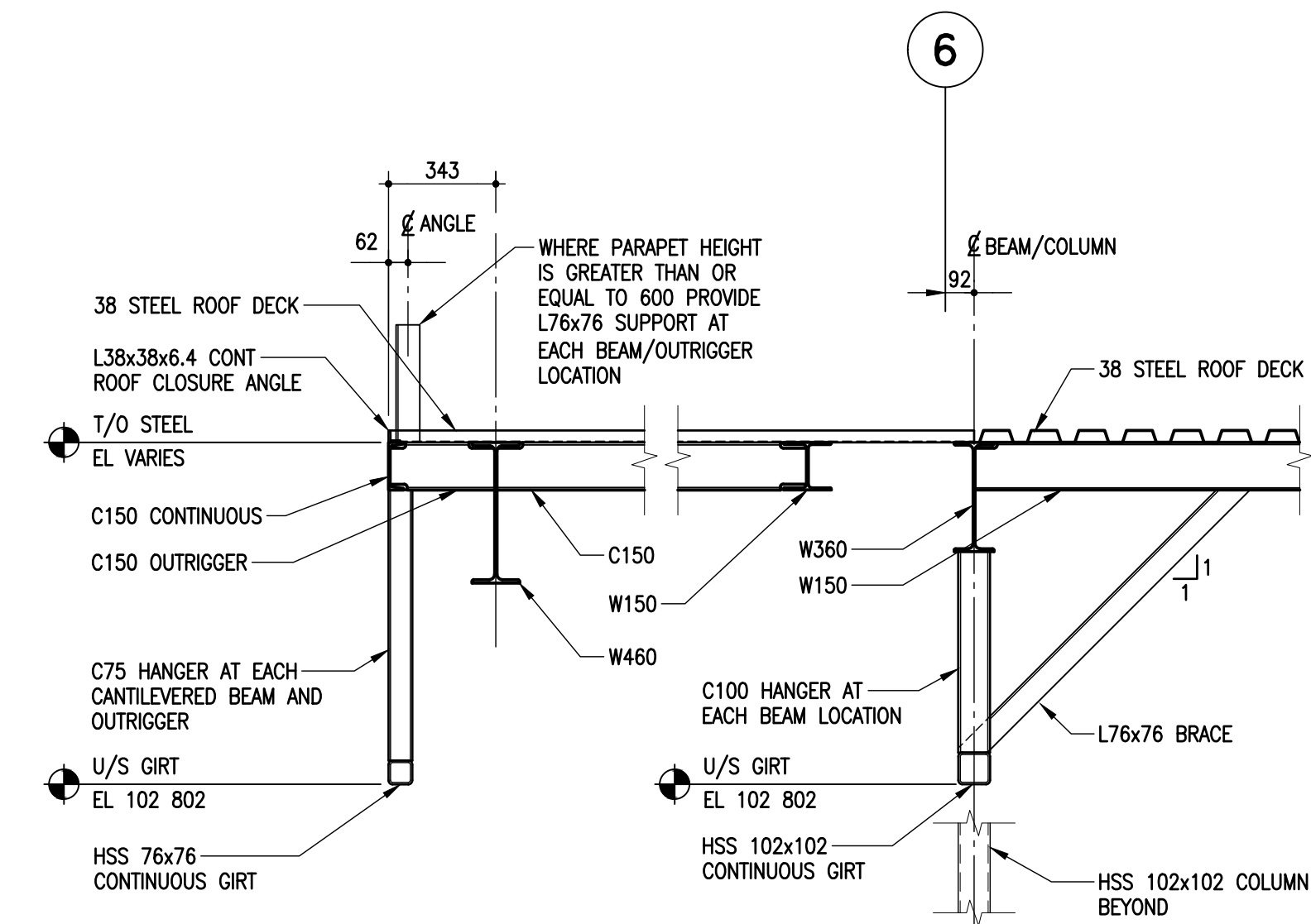
2021-10-29



**1 SECTION**  
S2.1 | S4.2 | 1:20



**2 SECTION**  
S2.1 | S4.2 | 1:20



**3 SECTION**  
S2.1 | S4.2 | 1:20

3	-	
2	-	
1	-	
0	21.10.29	ISSUED FOR CONSTRUCTION
NO.	DATE	REVISION / ISSUANCE

Architect

**| x | architecture inc.**  
100 Fort Street, Suite 109 Winnipeg, Manitoba R3C 1C7 204 318 2010

Engineer

300-275 Carlton Street  
Winnipeg, Manitoba R3C 5R6  
T 204. 943. 7501  
F 204. 943. 7507  
2021-0367



**Crosier Kilgour  
& Partners Ltd.**  
CONSULTING STRUCTURAL ENGINEERS

Project  
**ST. VITAL PARK  
GARAGE & STAFF HOUSE**  
190 RIVER ROAD

Sheet Title  
**SECTIONS**

Project No.	20105	Sheet	<b>S4.2</b>
Date	21.10.29		