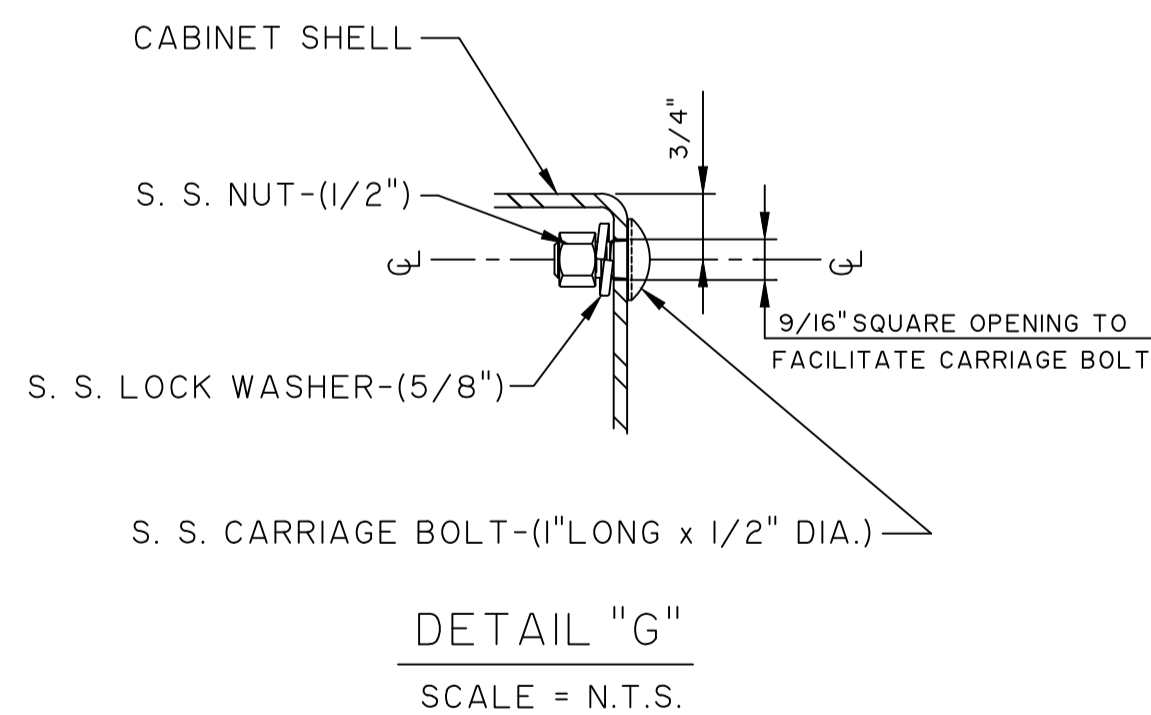
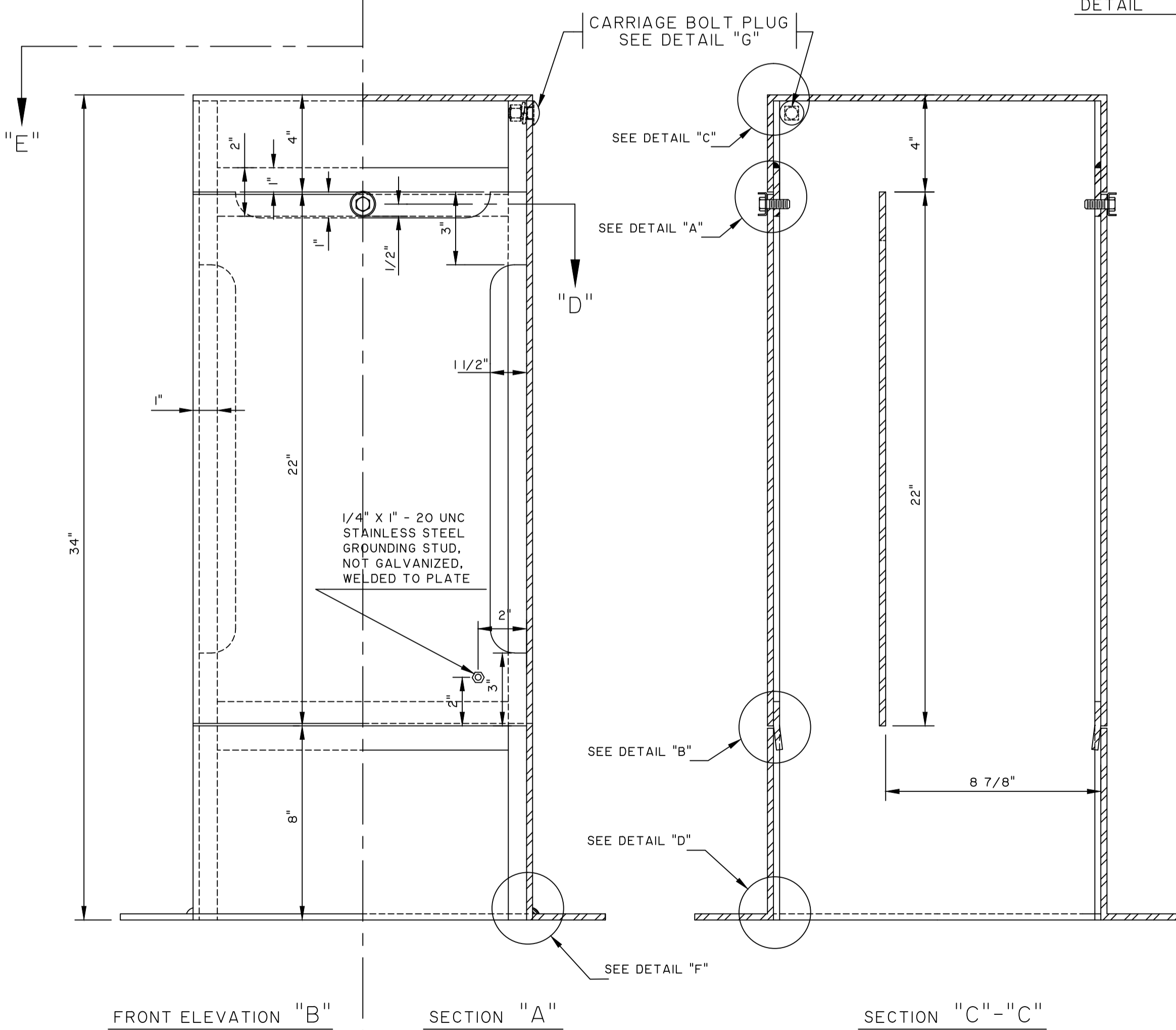


ISOMETRIC DRAWING OF ASSEMBLY



NOTES:

1. PEDESTAL TO BE 7 GAUGE CSA G 40.21-44W (300W) STEEL
2. INSIDE PANEL MAY BE 12 GAUGE
3. DOORS SHALL BE INTERCHANGEABLE
4. ALL SEAMS SHALL BE CONTINUOUS WELD
5. ALL WELDS & EDGES SHALL BE GROUND SMOOTH.
6. PEDESTAL TO BE HOT DIPPED GALVANIZED IN ACCORDANCE WITH ASTM A123-09 (PLUS LATEST REVISIONS), NET RETENTION OF 610 g/m
7. MINIMUM DIAMETER OF FLAT PORTION INSIDE CUP WASHER TO ACCOMMODATE STANDARD 3/8" SOCKET
8. ALL BOLTS AND NUTS SHALL BE STAINLESS STEEL-(S. S.) 316 TYPE.

No	DATE	REVISIONS	BY
3.	13/04/04	UPDATED METAL AND GALVANIZING DETAILS	
2.	07/12/13	ADDED OVERALL DIMENSION ON PLAN VIEW	
1.	03/03/07	ADDED/CORRECTED NOTES AND DETAILS	

LOCATION APPROVED  
 UNDERGROUND STRUCTURES COMMITTEE DATE \_\_\_\_\_  
 APPROVED BY  
 ORIGINAL ON FILE SIGNED MC APR. 4/13  
 TRAFFIC SIGNALS ENGINEER DATE \_\_\_\_\_  
 RELEASED FOR CONSTRUCTION  
 MANAGER OF TRANSPORTATION ENGINEERING DATE \_\_\_\_\_  
 DRAWN BY N.C. 95/08/03 PRELIM. CHK. DATE \_\_\_\_\_

DESIGNED BY \_\_\_\_\_  
 CHECKED BY \_\_\_\_\_  
 DATE \_\_\_\_\_

**THE CITY OF WINNIPEG**  
 PUBLIC WORKS DEPARTMENT  
 TRANSPORTATION ENGINEERING DIVISION

STANDARD TRAFFIC SIGNALS  
 CONTROLLER PEDESTAL

SCALE  
 3" = 1'-0"

DRAWING NO.  
 ST-34A