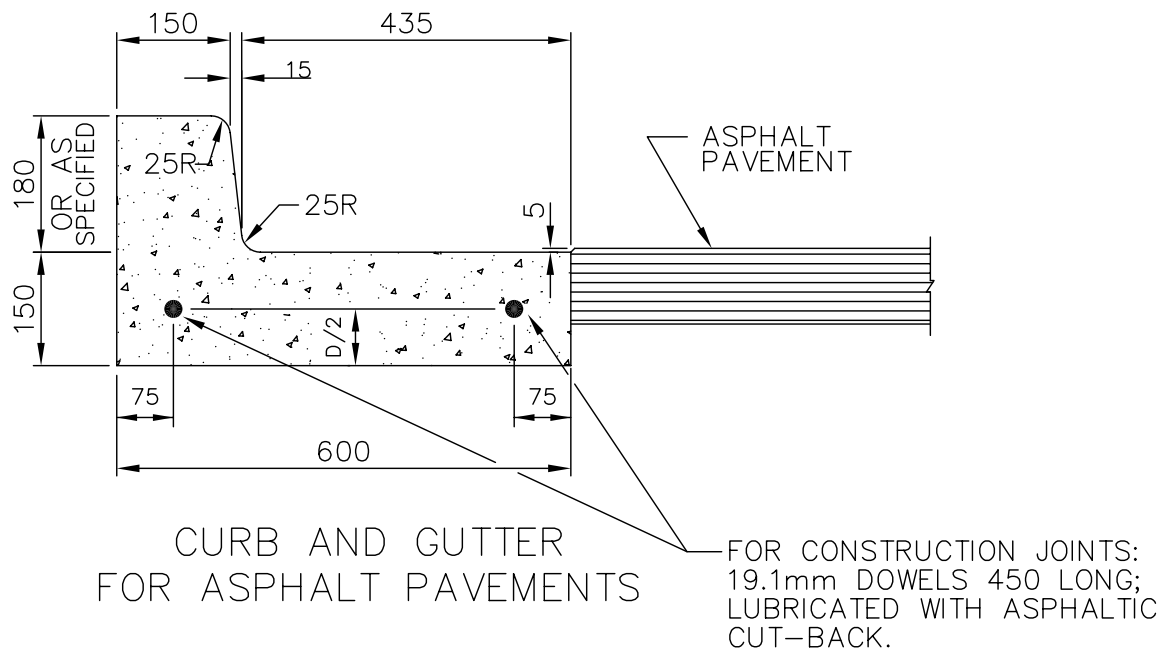


CURB AND GUTTER
FOR CONCRETE PAVEMENTS



CURB AND GUTTER
FOR ASPHALT PAVEMENTS

- NOTE: 1. REDUCE CURB HEIGHT TO 40.
APPLICABLE FOR PRIVATE
APPROACHES ON LOCAL RESIDENTIAL
STREETS. REF SD-202B
2. TRANSVERSE SAW CUT EVERY 3000
OR AT PAVEMENT JOINTS.



THE CITY OF WINNIPEG
PUBLIC WORKS DEPARTMENT

Reference Spec. No.
CW 3240, CW 3310

DIMENSIONS ARE IN MILLIMETRES

CURB AND GUTTER

Designed By:
B.P.

Drawn By:
T.G.A

Scale :
N.T.S.

Checked By:
D.R.K.

Date:
08-12-15

Drawing No.

Approved:
SURFACE WORKS COMMITTEE

SD-200