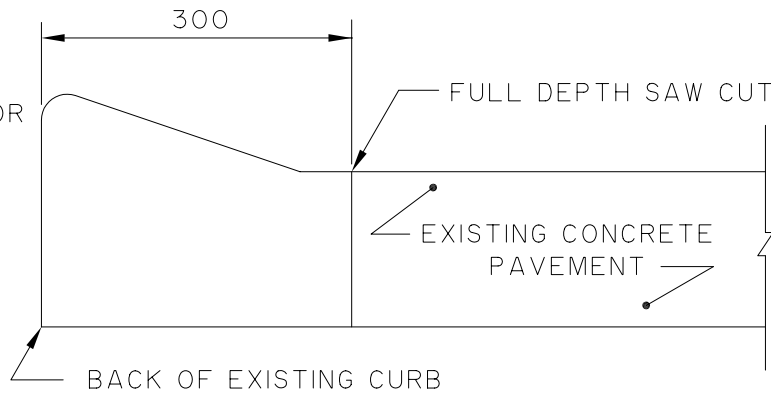
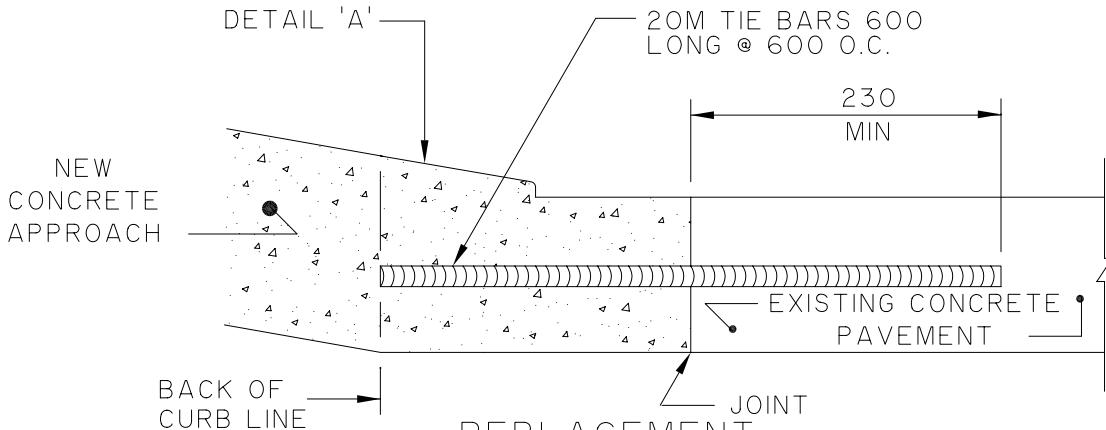


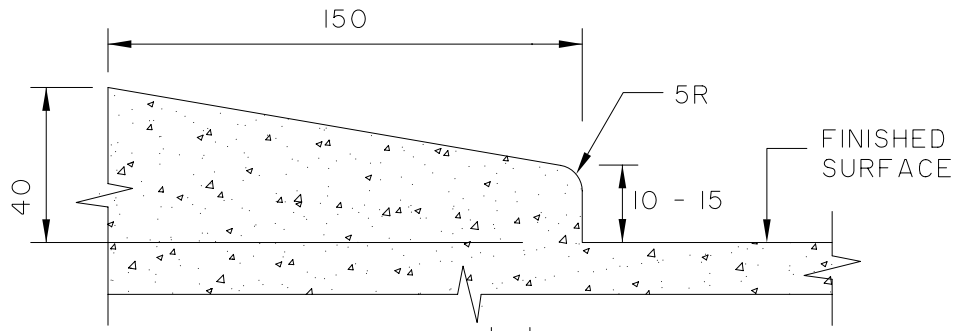
NOTE: APPLICABLE FOR EXISTING CURB HEIGHT > 80.



REMOVAL



REPLACEMENT



DETAIL 'A'

- NOTE: 1. TRANSVERSE SAW CUT EVERY 6000 OR AT PAVEMENT JOINTS.
 2. APPLICABLE FOR PRIVATE APPROACHES ON LOCAL RESIDENTIAL STREETS.
 3. NOT APPLICABLE FOR BACK LANE APPROACHES.
 4. NOT APPLICABLE FOR PRIVATE APPROACHES ON REGIONAL STREETS.

DIMENSIONS ARE IN MILLIMETRES



THE CITY OF WINNIPEG
 PUBLIC WORKS DEPARTMENT

Reference Spec. No.
 CW 3240, CW 3310

Revisions

No.	Date	Description	By
1	FEB.04	GENERAL REVISION	J.G.

40mm LIP CURB

Designed By: B.P.	Drawn By: lwb	Scale : N.T.S.
Checked By: D.R.K.	Date: 03 - 01 - 27	Drawing No.
Approved: SURFACE WORKS COMMITTEE		SD-202B