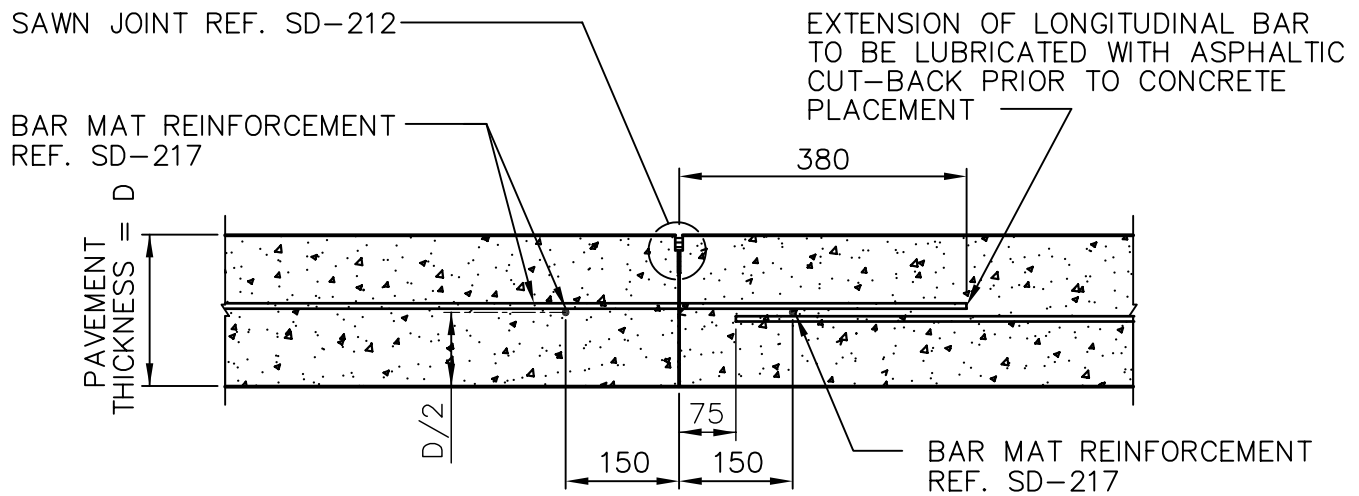


CONSTRUCTION JOINT



CONTRACTION JOINT



THE CITY OF WINNIPEG
PUBLIC WORKS DEPARTMENT

Reference Spec. No.
CW 3230, CW 3310

DIMENSIONS ARE IN MILLIMETRES

**CONSTRUCTION JOINT AND
CONTRACTION JOINT FOR
REINFORCED CONCRETE PAVEMENT**

Designed By:
Z.V.K.

Drawn By:
A.R.

Scale :
N.T.S.

Checked By:
D.R.K.

Date:
05-12-31

Drawing No.

Approved:
SURFACE WORKS COMMITTEE

SD-211A